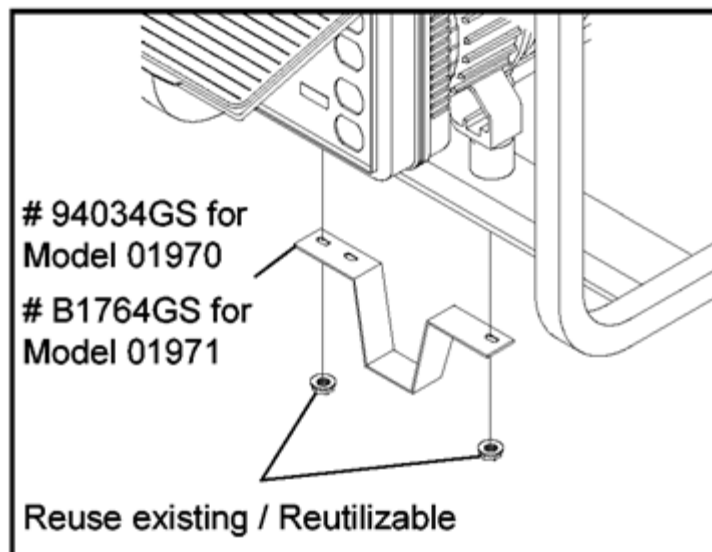
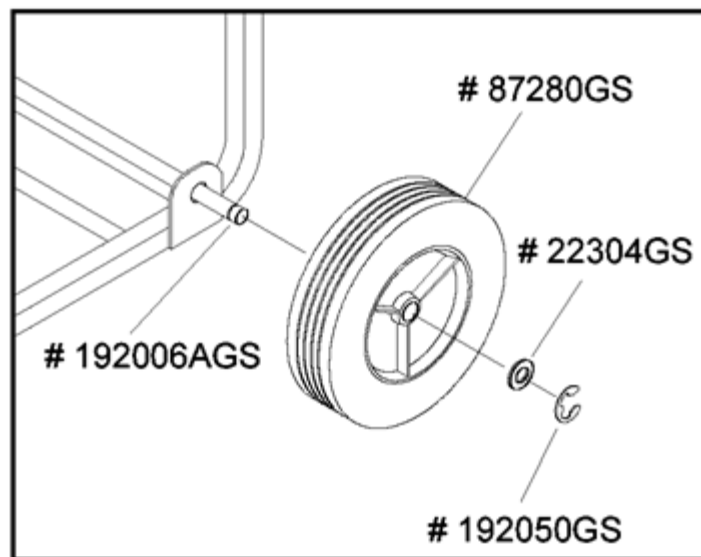
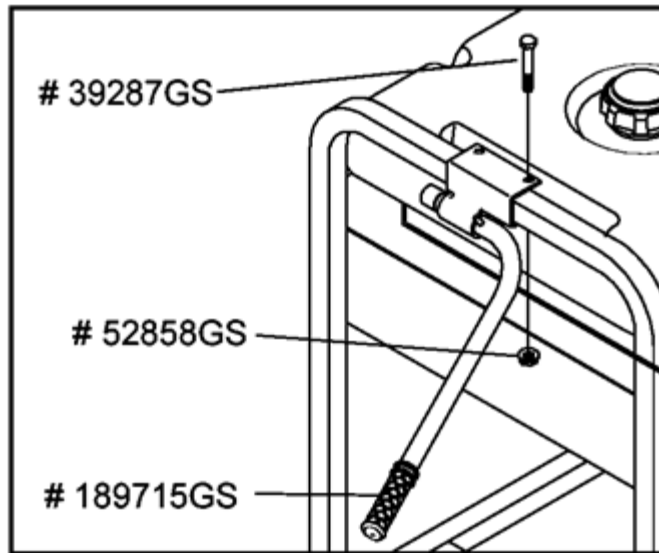
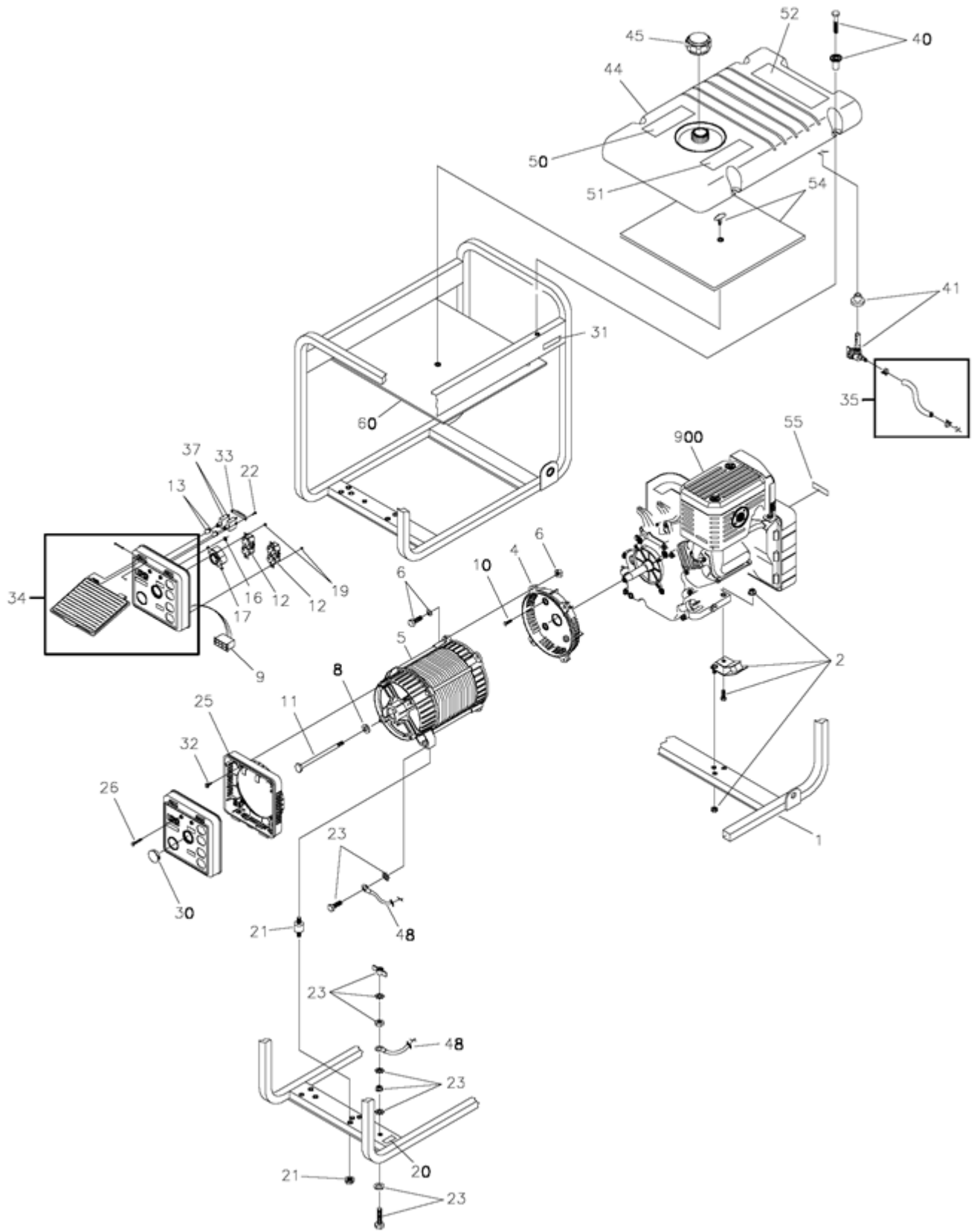


| Ref # | Part # | Description | Context Note | Foot Note |
|--------------|---------------|---------------------------------|---------------------|------------------|
| 1 | 186059GS | ADAPTER, Mounting,Alternator | | |
| 2 | 193623GS | ROTOR | | |
| 3 | 191042AGS | STATOR | | |
| 4 | 186060GS | RBC, with O-Ring (p/n 189197GS) | | |
| 5 | 86308CGS | SCREW | | |
| 6 | 91825GS | ASSY, Holder, Rectifier/Brush | | |
| 7 | 66849GS | SCREW | | |
| 8 | 22694GS | RECEPTACLE, 6 pin | | |
| 9 | 81917GS | PIN, Roll | | |
| 10 | 193428AGS | ASSY,Wire, Ground | | |
| 11 | 74908GS | SCREW | | |
| | 189197GS | O-RING, 1.375 N I.D. X .093 IN | | |



| Ref # | Part # | Description | Context Note Foot Note |
|--------------|---------------|-------------------------------|-------------------------------|
| 94034GS | 94034GS | LEG, MNTING, KIT, WHL | |
| B1764GS | B1764GS | SPPRT, UNIT, 110T | |
| 192006AGS | 192006AGS | AXLE, 1/2 IN X 22.20 IN, PLTD | |
| 39287GS | 39287GS | HHCS, M8-1.25 X 45 | |
| 189715GS | 189715GS | ASSY, HNDL, 7/8 OD | |
| 52858GS | 52858GS | NUT, M8-1.25, LOCK | |
| 192050GS | 192050GS | E-RING, AXLE, 1/2 IN | |
| 87280GS | 87280GS | WHL, 2.25 X 8.0, S-PNEU, 1/2 | |
| 22304GS | 22304GS | WSHR, FLAT, 1/2 | |



| Ref # | Part # | Description | Context Note | Foot Note |
|--------------|---------------|--------------------------------|----------------------------------|------------------|
| 1 | B194759GS | CRADLE | | |
| 2 | 194150GS | KIT,Vibration Mount, 45°. | | |
| 4 | 190220GS | HOUSING, Engine Adapter | | |
| 5 | NSP | ASSY,Alternator | See "Alternator" | |
| 6 | 194151GS | KIT, Hardware Mounting Adapter | | |
| 8 | 96796GS | WASHER | | |
| 9 | 22695GS | HOUSING, Receptacle | | |
| 10 | | SBHCS, 3/8-16 x 1.0 Lg. | (Purchase locally) | |
| 11 | 47480GS | HHCS, 5/16-24 x 7 | | |
| 12 | 68759GS | OUTLET, 120V, 20A | | |
| 13 | 84198GS | CAP, Circuit Breaker | | |
| 16 | | NUT, Pal, 3/16 | (Purchase locally) | |
| 17 | 43437GS | OUTLET, 120/240V, 30A | | |
| 19 | | NUT, Pal, 5/32 | (Purchase locally) | |
| 20 | B4986GS | DECAL, Ground, Green | | |
| 21 | 194153GS | KIT,Vibration Mount | | |
| 22 | | PPPHS, 3.5 x 18mm | (Purchase locally) | |
| 23 | 194154GS | KIT, Grounding Hardware | | |
| 25 | 191427GS | ADAPTER PANEL | | |
| 26 | | SCREW, M5 - 2.24 x 50 | (Purchase locally) | |
| 30 | 191190GS | CAP | | |
| 31 | 191436GS | DECAL, Hot Muffler | | |
| 32 | 74908GS | TAPTITE, M5-0.8 x 10 | | |
| 33 | 93857GS | BAR, Retaining | | |
| 34 | 194152GS | ASSY, Panel Control | | |
| 35 | 194265GS | KIT, Fuel Hose w/ Clamps | | |
| 37 | 75207GS | BREAKER, Circuit, 20A | | |
| 40 | 194398GS | KIT, Fuel Tank Hardware | | |
| 41 | 192980GS | KIT,Valve, Fuel | | |
| 44 | 194217GS | ASSY,Tank, Fuel | (Includes Items 41, 50, 51 & 52) | |
| 45 | 90878GS | CAP, Fuel | | |
| 48 | 186790EGS | WIRE, Ground | | |
| 50 | 188333GS | DECAL, Gas Fill | | |
| 51 | 194799GS | DECAL, Danger | | |
| 52 | 189235GS | DECAL, Start Instructions | | |
| 54 | 194448GS | KIT, Insulation w/ Clip | | |
| 55 | 191435GS | DECAL, Fuel Shut-off | | |
| 60 | 193452GS | SHIELD, Heat | | |
| 900 | | ENGINE | Contact Engine Manufacturer | |

| Ref # | Part # | Description | Context Note | Foot Note |
|--------------|---------------|--------------------|---------------------|------------------|
| | 193449GS | MANUAL, Owners | Not Illustrated | |
| | MS6669 | MANUAL, Engine | Not Illustrated | |
| | BB3061BGS | BOTTLE, Oil | Not Illustrated | |
| | 188971GS | CORD, Ext. | Not Illustrated | |
| | 193552GS | KIT, Decal Service | Not Illustrated | |
| | 189208GS | FUEL STABILIZER | Not Illustrated | |