



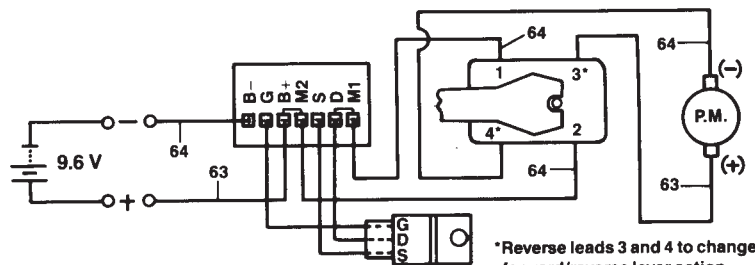
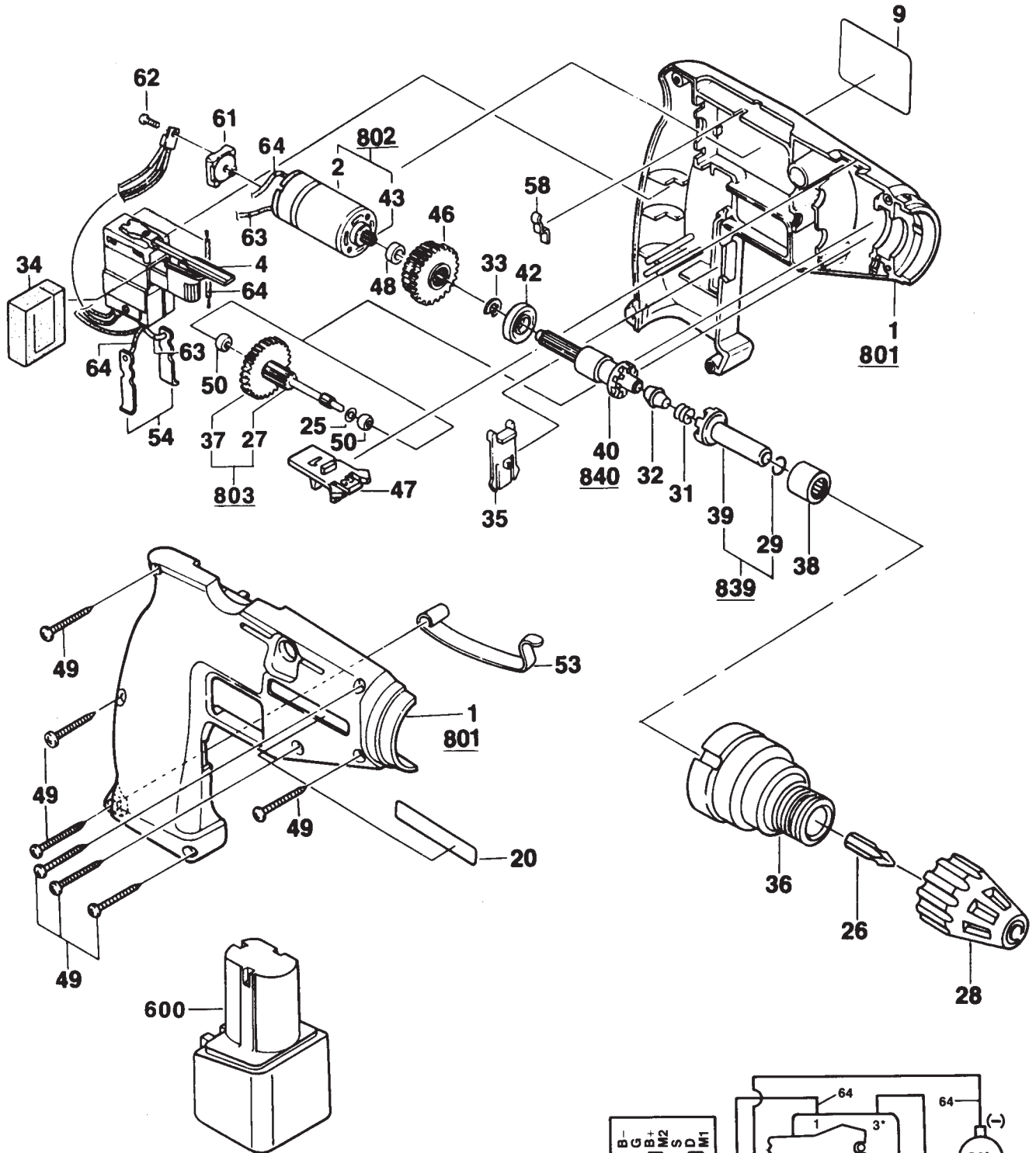
BOSCH

CORDLESS SCREWDRIVER 1927 VSR

PARTS LIST

BATTERY OPERATED

ISSUED MARCH 1990



*Reverse leads 3 and 4 to change forward/reverse lever action

MODEL NO.	IBM NUMBER	VOLTAGE
1927 VSR	060 1927 739	9.6 V. D.C.

Cordless Screwdriver 1927 VSR

POS. NO.	PART NO.	QTY.	DESCRIPTION	POS. NO.	PART NO.	QTY.	DESCRIPTION
1	See Pos #801	1	Housing	50	2 600 302 002	2	Bushing
2	See Pos #802	1	Motor	53	2 601 251 003	1	Battery clip
4	1 609 340 021	1	VS switch	54	2 601 324 012	2	Contact clip
9	2 601 118 066	1	Name plate (1927 VSR)	58	2 601 250 002	1	Bit holding spring
20	3 601 119 638	1	Label ("BOSCH")	61	2 605 715 000	1	Heat sink
25	2 600 100 636	1	Shim	62	2 910 641 050	1	Screw
A26	See catalog	1	Screwdriver bit	63	2 604 413 005	2	Cable (short)
27	See Pos #803	1	Shaft	64	2 604 413 004	4	Cable (long)
28	2 600 460 007	1	Nose cone	A600	3 607 300 500	1	Battery 9.6V
29	2 604 601 004	1	Retaining clip	+ A651	3 605 438 526	1	Plastic case
31	2 604 611 040	1	Spring	+ A651.1	3 605 438 509	1	Metal case
32	2 603 132 002	1	Pin	+ A660	3 607 224 500	1	Charger
33	2 916 650 001	1	Retaining ring	+ A660.1	2 607 224 010	1	Charger w/auto lighter connector
34	2 601 010 038	1	Dust protector	801	2 605 104 890	1	Housing ass'y w/Pos #1, 35, 47, 49, 53
35	2 601 099 026	1	Lock-off lever	802	2 607 022 902	1	Motor ass'y w/Pos #2, 43
36	2 600 390 902	1	Threaded sleeve	803	1 609 340 005	1	Gear ass'y w/Pos #27, 37
37	See Pos #803	1	Gear	+ 807	3 609 391 500	1	Heat transfer grease (used on Pos #61)
38	2 600 914 015	1	Bearing	839	2 606 490 913	1	Coupling ass'y w/Pos #29, 39
39	See Pos #839	1	Coupling	840	2 606 490 914	1	Coupling ass'y
40	See Pos #840	1	Coupling				
42	1 900 905 120	1	Bearing				
43	2 606 316 112	1	Gear				
46	1 609 340 007	1	Gear				
47	2 601 099 027	1	Gear selector				
48	2 600 301 011	1	Bushing				
49	2 910 611 019	7	Screw				

SERVICE NOTES