



SERVICE PARTS LIST

BUL. 54-12-3041

3/4" ELECTRIC DRILL

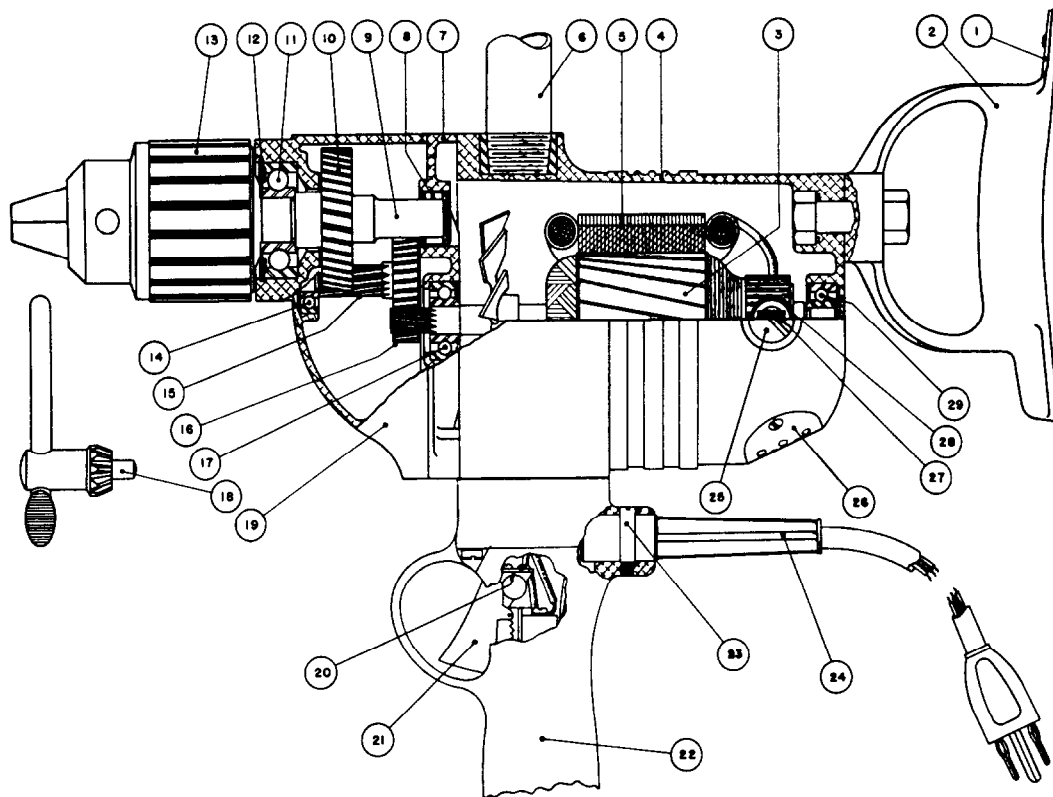
REVISED BUL. 6125-3 DATE Feb. '68

Catalog No. 1870

Starting Serial No. **125-1068**

WIRING INSTR. **58-01-0350**

Both Model and Serial No. must be furnished to obtain correct parts.



ILLUSTRATED PARTS

FIG.	PART NO.	DESCRIPTION OF PART
1	See Item 2	Spade Handle Key Clip
2	14-34-0100	Spade Handle (Incl. Item 1)
3	16-82-1410	Armature Assembly
4	28-50-4161	Motor Housing
5	18-82-1040	Field Assembly
6	43-62-0230	Pipe Handle
7	28-28-0101	Diaphragm
8	02-50-4040	Needle Bearing
9	38-50-3551	Spindle
10	32-75-2021	Spindle Gear
11	02-04-2050	Ball Bearing
12	34-80-3450	Ball Bearing Retaining Ring
13	48-66-2050	Chuck (3/4-16 Thread)
14	02-04-0910	Ball Bearing
15	36-66-2751	Intermediate Shaft

FIG.	PART NO.	DESCRIPTION OF PART
16	32-40-1001	Intermediate Gear
17	02-04-1260	Ball Bearing
18	48-66-3160	Chuck Key
19	28-14-0201	Gear Case
20	42-36-0230	Switch Bracket
21	23-66-0190	Switch
22	28-44-9241	Switch Handle
23	45-04-0100	Cord Retaining Screw (2)
24	22-64-0080	Cord Set
25	23-44-0030	Brush Retaining Screw Assembly (2)
26	44-66-0180	Air Intake Cover Plate
27	22-18-0055	Carbon Brush Assembly (2)
28	22-22-0015	Brush Holder Assembly (2)
29	02-04-1070	Ball Bearing

MISCELLANEOUS PARTS NOT SHOWN

PART NO.	DESCRIPTION OF PART
02-50-2450	Needle Bearing
*12-98-0900	Name Plate
06-75-0850	1/2-13x1-1/2" Hex. Hd. Spade Handle Bolt
06-55-2850	1/2-13 Spade Handle Jam Nut
06-81-8650	6-32x1/4" Rd. Hd. Spade Handle Key Clip Sems. (2)
06-81-8650	6-32x1/4" Rd. Hd. Switch Mounting Sems. (2)
06-81-3400	6-32x1/4" Oval Hd. Switch Bracket Scrs. (2)
*48-03-0010	Plug Adaptor
*06-83-2650	1/4-20x3/8 Hd'less Brush Holder Set Scrs. (2)
*06-97-1800	Switch Lock Washers (4)
PART NO.	DESCRIPTION OF PART
06-81-7850	1/4-20x1" Fil. Hd. Gear Case Sems. (2)
06-81-7950	1/4-20x1-3/4" Fil. Hd. Gear Case Sems. (2)
*06-81-9225	10-24x2-3/4 Rd. Hd. Sem Field Screws (2)
06-81-7900	1/4-20x1-1/2" Fil. Hd. Switch Handle Sems. (4)
*06-81-8650	6-32x1/4 Rd. Hd. Sem Air Intake Plate Scrs. (2)
*06-81-8400	4-40x1/4 Rd. Hd. Sem Name Plate Scrs. (2)
*06-81-8625	6-32x1/4 Rd. Hd. Sem Brass Ground Screw
06-42-1600	Woodruff Keys
06-42-2000	Woodruff Key