

Cordless Drill Driver - 3 601 J13 110 - 18636

www.powertools-aftersaleservice.com



BOSCH

Item	Part Number	Description	Illustration	Price	Quantity	Price Group
1	2 605 105 089	Housing Section BLUE	1	-,-	1	32
4	1 607 233 279	Electronics Module	1	-,-	1	47
5	2 601 099 149	Adjusting Slide	1	-,-	1	11
11	2 600 508 056	Cover	1	-,-	1	15
12	2 600 508 057	Cover	1	-,-	1	15
32	2 601 099 152	Adjusting Slide RED	1	-,-	1	21
61	2 608 040 190	Support	1	-,-	1	21
70	2 605 190 571	Push-Button RED	1	-,-	1	12
71	2 604 610 104	Compression Spring	1	-,-	1	10
91	2 607 336 007	Accumulator Battery 36V, 1,3Ah, LI	1	-,-	1	55
91	2 607 336 009	Battery Pack 36V, 2,0Ah, LI	1	-,-	1	57
101	2 603 490 018	Torx Oval-Head Screw 3x18	1	-,-	10	10
107	2 603 421 229	Countersunk-Head Screw M6x23	1	-,-	1	11
653	2 607 225 833	Charger USA 120/14,4-36V	1	-,-	1	45
655	2 602 025 135	Auxiliary Handle	1	-,-	1	27
802	2 607 022 836	DC motor	1	-,-	1	46
809	2 601 115 377	Manufacturer's nameplate	1	-,-	1	13
816	2 607 034 904	Carbon-Brush Set	1	-,-	1	23
820	2 601 115 375	Warning Plate	1	-,-	1	13
821	2 601 115 378	Nameplate	1	-,-	1	14
822	2 601 115 411	Warning Plate	1	-,-	1	13
823	2 601 115 412	Warning Plate	1	-,-	1	13
825	2 608 572 903	Keyless Chuck	1	-,-	1	40
845	2 606 200 948	Planetary Gear Train	1	-,-	1	49

Illustration - Type E

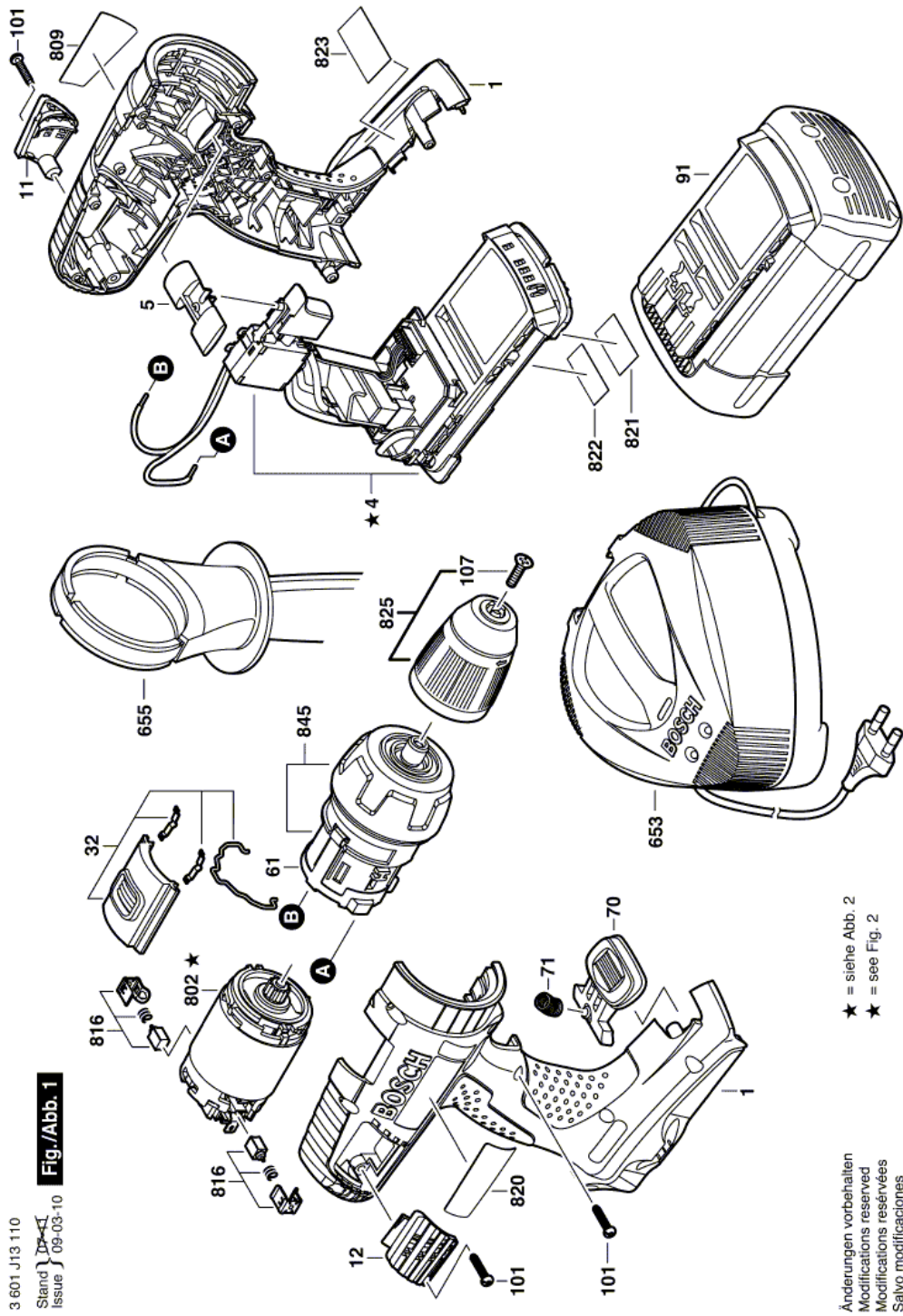
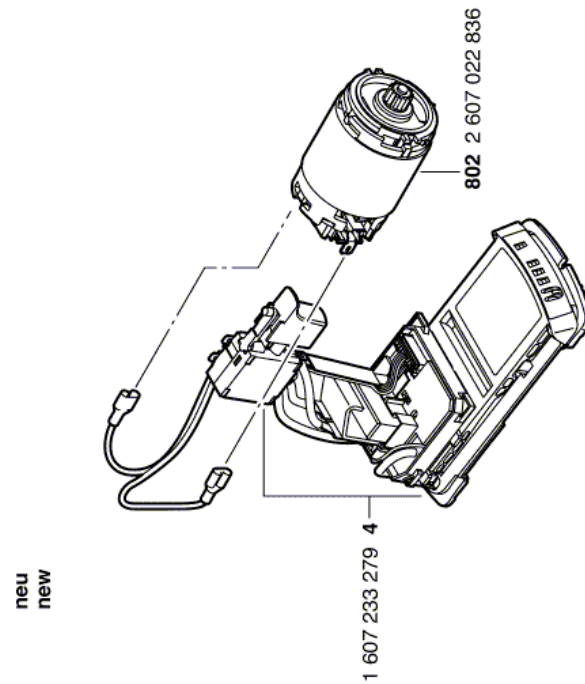
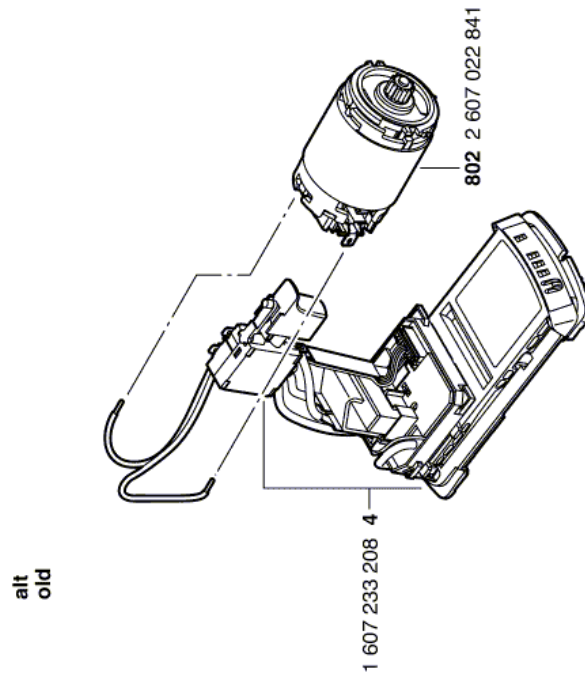


Illustration - Type E



3 601 J13 110
Stand }
Issue } 07-11-29 **Fig./Abb. 2**

Änderungen vorbehalten
Modifications reserved
Modificacions reservées
Salvo modificaciones

Information subject to change without further notice.