



SERVICE PARTS LIST

BUL: 54-12-3020

3/4" ELECTRIC DRILL

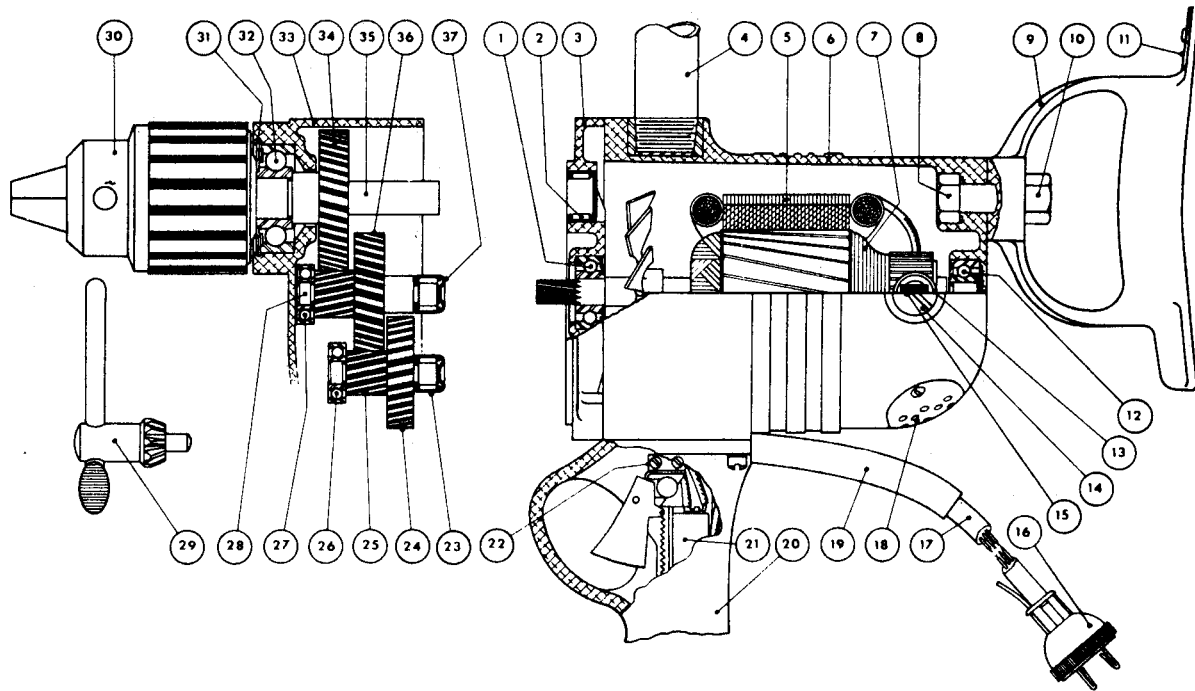
REVISED BUL 666 DATE Feb. '71

Catalog No. 1850

Starting Serial No. 66-1001

WIRING INSTR. 58-01-0600

Both Model and Serial No. must be furnished to obtain correct parts.



ILLUSTRATED PARTS

FIG.	PART NO.	DESCRIPTION OF PART
1	02-04-1250	Ball Bearing (1001 thru 4394)
	02-04-1140	Ball Bearing (4395 thru 4909)
2	02-50-4040	Needle Bearing
3	28-28-0102	Diaphragm
4	43-62-0230	Pipe Handle
5	18-82-1150	Field Assembly (1001 thru 1484)
	18-82-1110	Field Assembly (1485 thru 4909)
6	28-50-4761	Motor Housing
7	16-82-1050	Armature Assembly (1001 thru 1484)
	16-82-1060	Armature Assembly (1485 thru 4909)
8	06-75-0850	1/2"-13x1-1/2" Spade Handle Bolt (Hex.Hd.)
9	14-34-0100	Spade Handle (includes item 11)
10	06-55-2850	1/2-13 Spade Handle Jam Nut
11	42-70-0100	Spade Handle Key Clip
12	02-04-1060	Ball Bearing
13	22-22-0100	Brush Holder Assembly
14	23-44-0081	Brush Retaining Screw Assembly
15	22-18-0115	Carbon Brush Assembly
16	22-64-0080	Cord Set
18	44-66-0180	Air Intake Cover Plate
20	14-78-0200	Switch Handle (1001 thru 4394)
	28-44-9241	Switch Handle (4395 thru 4909)

FIG.	PART NO.	DESCRIPTION OF PART
21	23-66-0190	Switch
22	42-36-0221	Switch Bracket (1001 thru 4394)
	42-36-0230	Switch Bracket (4395 thru 4909)
23	02-50-2450	Needle Bearing
24	32-40-1521	1st Intermediate Gear
25	36-66-1101	1st Intermediate Pinion Shaft
26	02-04-0910	Ball Bearing
27	02-04-0910	Ball Bearing
28	36-66-1201	2nd Intermediate Pinion Shaft
29	48-66-3160	Chuck Key
30	48-66-2040	Chuck (5/8-16 Thread)
31	34-80-3450	Ball Bearing Retaining Ring
32	02-04-1780	Ball Bearing
33	28-14-0401	Gear Case
34	32-75-1961	Spindle Gear (1001 thru 2514)
	32-75-1981	Spindle Gear (2515 thru 4909)
35	38-50-1151	Spindle (1001 thru 2514)
	38-50-1201	Spindle (2515 thru 4909)
36	32-75-1961	2nd Intermediate Gear
37	02-50-2450	Needle Bearing

MISCELLANEOUS PARTS NOT SHOWN

PART NO.	DESCRIPTION OF PART	NO. REQ.	PART NO.	DESCRIPTION OF PART	NO. REQ.
12-98-0900	Name Plate		06-81-7900	1/4-20x1 1/2 Fil.Hd. Switch Handle Sems	(4)
06-81-8650	6-32x 1/4 Spade Handle Key Clip Sems		06-83-2670	1/4-20x 1/2 Hd'less Brush Holder Set Screw	(2)
06-81-8650	6-32x 1/4 Rd.Hd. Switch Mounting Sems	(2)	06-81-8625	6-32x 1/4 Rd.Hd. Sems Brass Grounding Wire	
06-81-3400	6-32x 1/4 Oval Hd. Switch Bracket Screws	(2)	06-42-1600	Woodruff Keys	
06-81-8400	4-40x 1/4 Rd.Hd. Name Plate Sems	(2)	06-42-1200	Woodruff Keys	
06-81-8650	6-32x 1/4 Rd.Hd. Air Intake Plate Sems	(2)	06-42-2400	Woodruff Keys	
06-81-7850	1/4-20x 1/4 Fil.Hd. Gear Case Sems	(2)	45-04-0100	Cord Retaining Screw	(2)
06-81-7950	1/4-20x 1/4 Fil.Hd. Gear Case Sems	(2)	23-86-0130	Brush Holder Washer	(2)
48-03-0010	Attachment Plug Adaptor		06-97-1800	Lock Washers	(4)
06-81-8950	8-32x 2 1/4 Fil.Hd. Field Sems	(2)			