

Angle Grinder - 3 601 H30 A10 - 1821 D

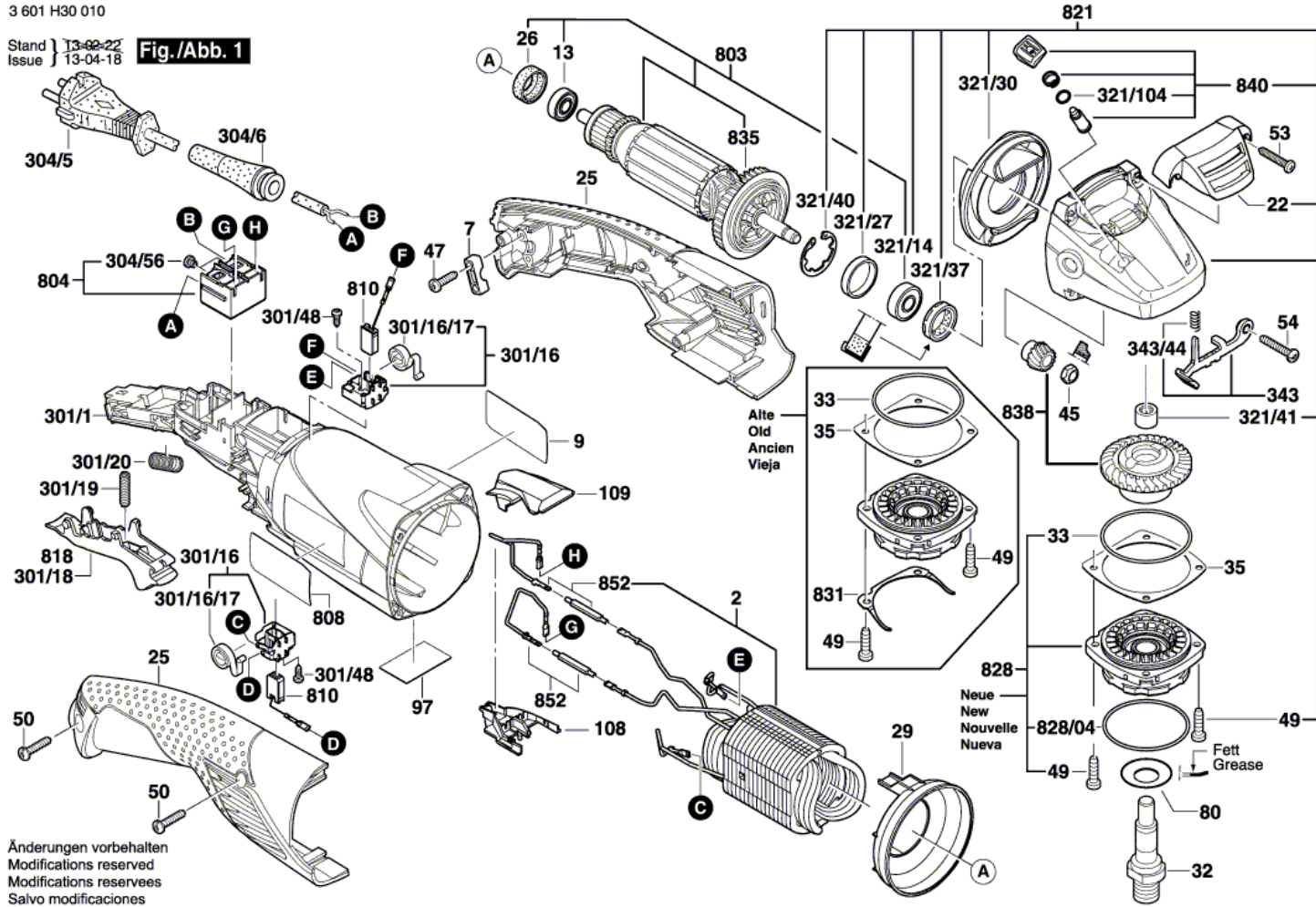
www.powertools-aftersaleservice.com



BOSCH

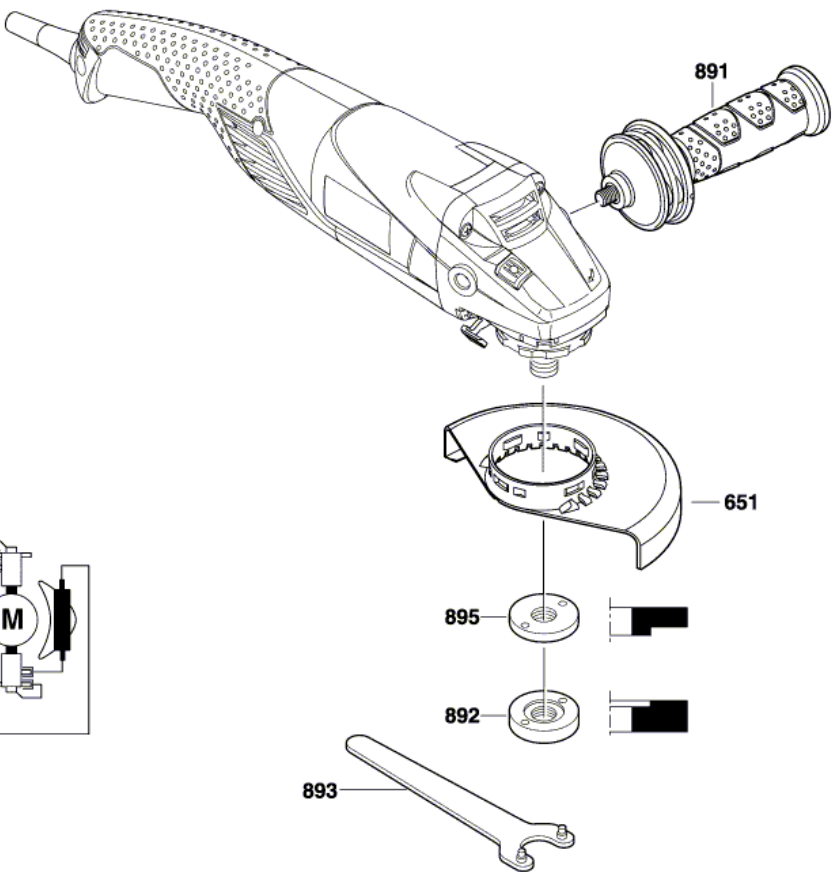
Item	Part Number	Description	Illustration	Price	Quantity	Price Group
	2 1 604 220 433	Field 100-120V	1	-,-	1	36
	7 2 601 035 001	Cable Clip	1	-,-	1	11
	9 1 601 118 K56	Manufacturer's nameplate	1	-,-	1	13
	13 2 600 905 032	Ball Bearing 7x19x6	1	-,-	1	17
	20 3 604 611 039	Compression Spring	N/A	-,-	1	11
	22 1 605 500 260	Covering hood	1	-,-	1	15
	25 1 605 132 146	Handle Cover BLUE	1	-,-	1	27
	26 1 600 206 036	Rubber Ring	1	-,-	1	11
	29 1 600 591 025	Air-Deflector Ring	1	-,-	1	13
	32 1 603 523 122	Grinding Spindle 5/8"	1	-,-	1	33
	33 1 600 210 035	O-Ring 46,0x1,1 MM	1	-,-	1	11
	35 1 600 136 013	Shim 0,1 MM THICK	1	-,-	1	13
	35 1 600 136 014	Shim 0,2 MM THICK	1	-,-	1	13
	35 1 600 136 015	Shim 0,3 MM THICK	1	-,-	1	13
	45 1 603 300 016	Hex Nut M7, SW10	1	-,-	1	11
	47 2 603 490 022	Screw 4x16	1	-,-	2	10
	49 1 603 435 026	Thread-forming tap. Screw	1	-,-	4	11
	50 2 603 490 023	Torx Oval-Head Screw 4x20	1	-,-	3	10
	53 1 603 435 078	Torx Oval-Head Screw	1	-,-	3	10
	54 2 914 491 410	Thread-forming tap. Screw M4x16	1	-,-	1	10
	80 3 600 150 021	Sealing disk	1	-,-	1	15
	97 1 601 118 T27	Warning Plate	1	-,-	1	13
	108 1 605 500 258	Cover BLACK	1	-,-	1	13
	109 1 605 500 263	Cover BLACK	1	-,-	1	15
	301/1 1 605 108 276	Motor Housing BLUE	1	-,-	1	27
	301/16 1 601 323 025	Brush Holder	1	-,-	2	15
	301/16/17 1 604 652 013	Spiral Spring	1	-,-	1	11
	301/19 1 604 611 041	Compression Spring	1	-,-	1	11
	301/20 3 604 611 039	Compression Spring	1	-,-	1	11
	301/48 1 613 435 034	Lens Head Screw 3x10 ST	1	-,-	2	10
	304/5 1 604 460 341	Power supply cord USA/CAN/SMA 2,68m 2 x 1,31mm SJ 16/2	1	-,-	1	27
	304/6 1 600 703 031	Grommet Ø7,3-Ø8,6x67 MM	1	-,-	1	13
	304/56 1 603 415 004	Lens Head Screw	1	-,-	2	11

Item	Part Number	Description	Illustration	Price	Quantity	Price Group
321/14	1 600 905 032	groove ball bearing 8x22x7	1	-,-	1	18
321/27	1 600 206 025	Rubber Ring	1	-,-	1	12
321/30	1 600 591 014	Air-Deflector Ring	1	-,-	1	13
321/37	1 600 290 016	Rotary shaft lip seal	1	-,-	1	12
321/40	1 600 119 011	Retaining clip	1	-,-	1	11
321/41	1 600 200 029	Plain bearing	1	-,-	1	14
321/104	1 600 210 044	O-Ring 4,5x1,0 MM BLUE	1	-,-	1	10
343	1 607 000 742	Catch Lever	1	-,-	1	20
343/44	1 604 611 042	Compression Spring	1	-,-	1	11
651	1 600 A00 XL5	Protective Cover	2	-,-	1	28
803	1 604 010 A44	Armature With Fan 115V	1	-,-	1	42
804	1 607 000 A85	On-Off Switch	1	-,-	1	24
808	1 601 118 K81	Nameplate	1	-,-	1	13
810	1 607 014 176	Carbon-Brush Set	1	-,-	1	25
818	1 602 319 021	Adjusting Slide	1	-,-	1	12
821	1 607 000 D1F	Gear Housing	1	-,-	1	34
828	1 607 000 448	Bearing Flange	1	-,-	1	25
828/04	3 600 210 109	O-Ring 47,0x1,5 MM	1	-,-	1	12
831	1 601 290 013	Spring Element	1	-,-	1	11
835	1 606 610 132	Fan	1	-,-	1	12
838	1 600 A00 22W	Gear Unit	1	-,-	1	31
840	1 603 231 032	Push-Button	1	-,-	1	16
852	1 604 448 025	Connecting Cable	1	-,-	1	12
891	1 602 025 052	Auxiliary Handle M10 ANTI-VIBRATION	2	-,-	1	31
892	3 603 340 503	Round Nut 5/8"	2	-,-	1	28
893	1 607 950 052	Pin-Type Face-Wrench	2	-,-	1	15
895	3 603 340 501	Clamping-Flange 5/8"-FL+B	2	-,-	1	17



3 601 H30 010

Stand } 07-03-15 **Fig./Abb. 2**
Issue }



Änderungen vorbehalten
Modifications reserved
Modificacions reserves
Salvo modificaciones

Information subject to change without further notice.