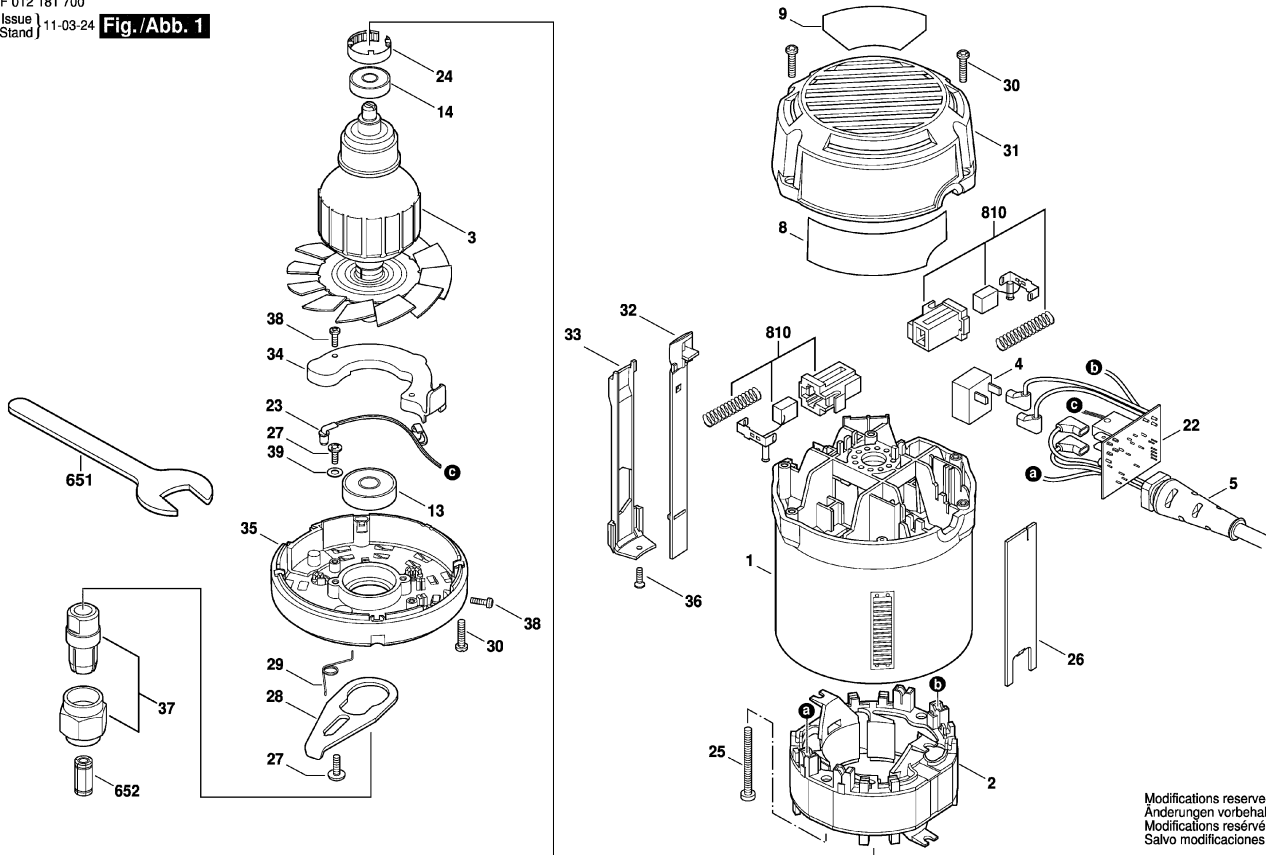


F 012 181 700  
Issue }  
Stand } 11-03-24

Fig./Abb. 1



Modifications reserved  
Änderungen vorbehalten  
Modifications réservées  
Salvo modificaciones

Date: 4/13/2011

Page: 1 / 2

Item	Pc	Order No.	Description	Item	Pc	Order No.	Description
1	1	1 619 X04 235	Motor Housing	38	4	2 610 990 022	Screw
2	1	1 619 P01 569	Field	322	1	1 619 X04 191	Base
3	1	1 619 P01 566	Armature	323	1	1 619 X04 190	Clamping Lever
4	1	1 619 X04 229	Switch Unit	324	2	1 619 X04 199	Handle
5	1	1 619 X04 241	Power supply cord	325	1	1 619 X04 194	Chip Deflector
8	1	1 619 X04 660	Nameplate	326	1	1 619 X04 192	Cover Plate
9	1	1 619 X04 661	Manufacturer's Nameplate	327	1	1 619 X05 724	Knob
13	1	2 610 017 875	Ball Bearing	329	1	1 619 X04 179	Bracket
14	1	1 619 P01 511	Ball Bearing	330	2	1 619 X04 197	Screw
22	1	1 619 X04 228	Electronic Module	331	2	1 619 X04 253	Screw
23	1	1 619 X05 187	Electronic Module	332	1	1 619 X04 184	Retaining ring
24	1	2 610 916 621	Tolerance Ring	333	5	1 619 X05 012	Screw
25	2	1 619 X00 658	Screw	334	2	1 619 X05 276	Plain Washer
26	1	1 619 X04 240	Insulator	335	1	1 619 X04 187	Bolt
27	3	1 619 X02 496	Fastener	336	1	1 619 X04 269	Hex Nut
28	1	1 619 X04 236	Lock Plate	337	1	1 619 X04 178	Shaft
29	1	2 610 932 299	Torsion Spring	338	1	1 619 X04 180	Worm
30	8	2 610 315 386	Screw	339	1	1 619 X04 266	Straight Pin
31	1	1 619 X04 193	Housing Cover	340	1	1 619 X04 181	Spring
32	1	1 619 X04 230	Trigger	341	1	1 619 X04 183	Cover
33	1	1 619 X04 231	Switch Cover	342	1	1 619 X04 188	Washer
34	1	1 619 X04 198	Cover	651	1	1 619 X01 769	Adjusting Wrench
35	1	1 619 X04 237	Bearing Housing	652	1	1 619 X03 843	Adapter
36	1	1 619 X04 232	Screw	810	1	1 619 X05 563	Carbon-Brush Set
37	1	1 619 X02 811	Collet, 1/2"				

