

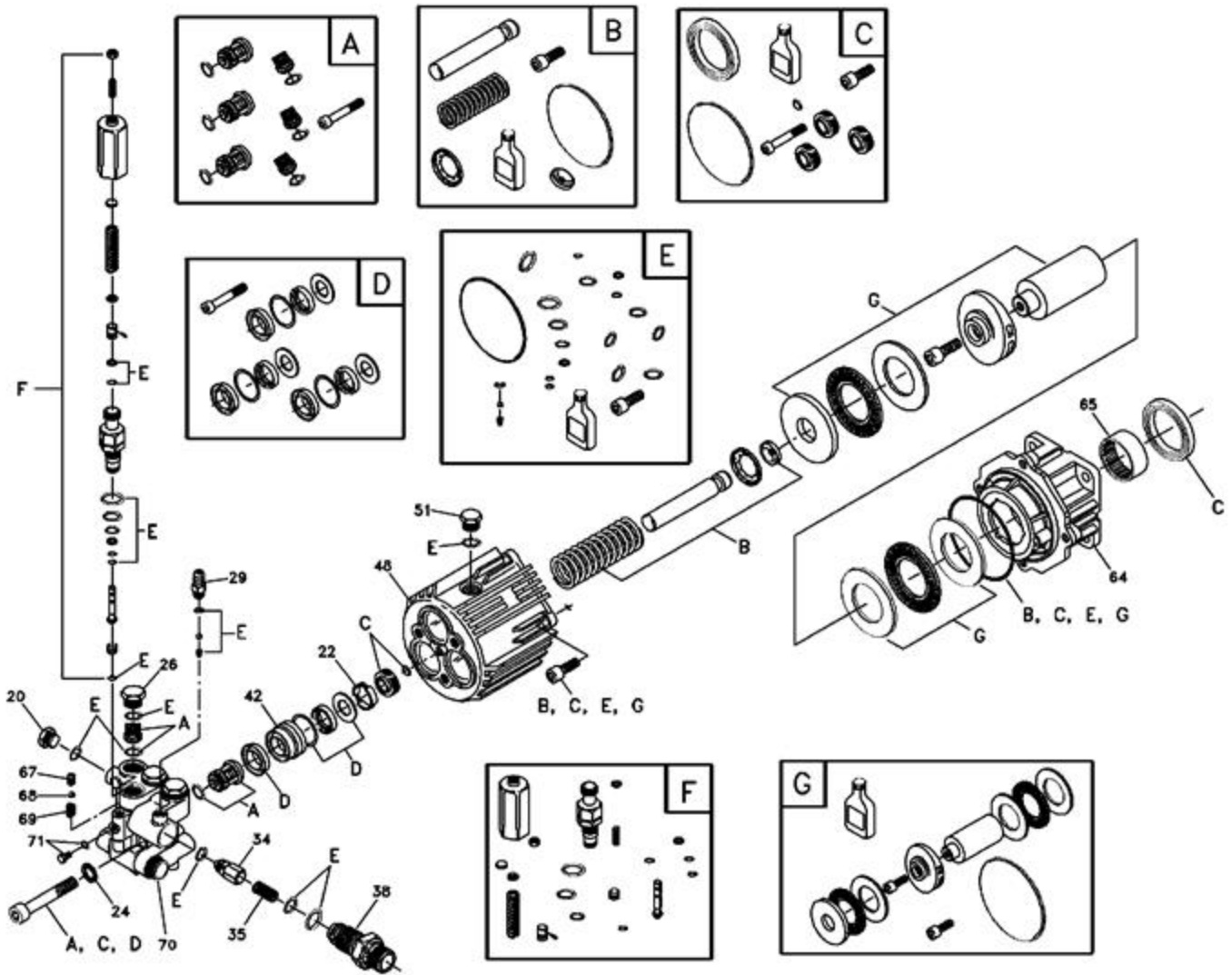
<b>Ref #</b>	<b>Part #</b>	<b>Description</b>	<b>Qty</b>	<b>Context Note</b>	<b>Foot Note</b>
1	B190156GS	BASE			
2	B187602GS	HANDLE			
3	192734GS	ASSY, Billboard			
4	185877GS	HOSE			
5	192134GS	KIT, Engine Mounting Hardware			
6	192131GS	KIT, Pump Mounting Hardware			
7	B3263GS	GUN			
8	190668GS	KIT, Handle Fasteners			
9	192553GS	KIT, Vibration Mount			
10	190147GS	PUSHNUT			
11	B5646GS	KIT, Nozzle			
12	192199GS	EXTENSION			
13	192526GS	KIT, Wheel			
14	23139BGS	KEY			
15	190183GS	ASSEMBLY, Pump		(See "Pump")	
900	~NSP	ENGINE			
	191678GS	MANUAL, Owner`s			Item Not Illustrated
	191708GS	MANUAL, Illustrated Parts List			Item Not Illustrated
	192795GS	KIT, Decals			Item Not Illustrated
	BB3061BGS	OIL, Engine			Item Not Illustrated

Ref # Part #

Description

Qty

Context Note



<b>Ref #</b>	<b>Part #</b>	<b>Description</b>	<b>Qty</b>	<b>Context Note</b>
20	190638GS	PLUG		
22	190639GS	SPACER		
24	190640GS	WASHER		
26	190641GS	PLUG		
29	190642GS	HOSE TAIL		
34	190643GS	JET		
35	190644GS	SPRING		
38	190645GS	INJECTOR, Detergent		
42	190646GS	PISTON, Guide		
48	190647GS	HOUSING		
51	190648GS	PLUG		
64	190649GS	FLANGE		
65	190650GS	ROLLER BEARING		
67	190651GS	GRUB SCREW		
68	190652GS	BALL		
69	190653GS	SPRING		
70	190654GS	PUMP HEAD		
71	190655GS	GRUB SCREW & WASHER		
72	190656GS	OIL BOTTLE		
A	190657GS	KIT, CHECK VALVE		Service kit and includes all parts shown within the box.
B	190658GS	KIT, PISTON SET		Service kit and includes all parts shown within the box.
C	190659GS	KIT, SEAL OIL		Service kit and includes all parts shown within the box.
D	190660GS	KIT, SEAL HIGH PRESSURE		Service kit and includes all parts shown within the box.
E	190677GS	KIT, O-RINGS		Service kit and includes all parts shown within the box.
F	190661GS	KIT, UNLOADER		Service kit and includes all parts shown within the box.
G	190662GS	KIT, CAM & BEARING		Service kit and includes all parts shown within the box.