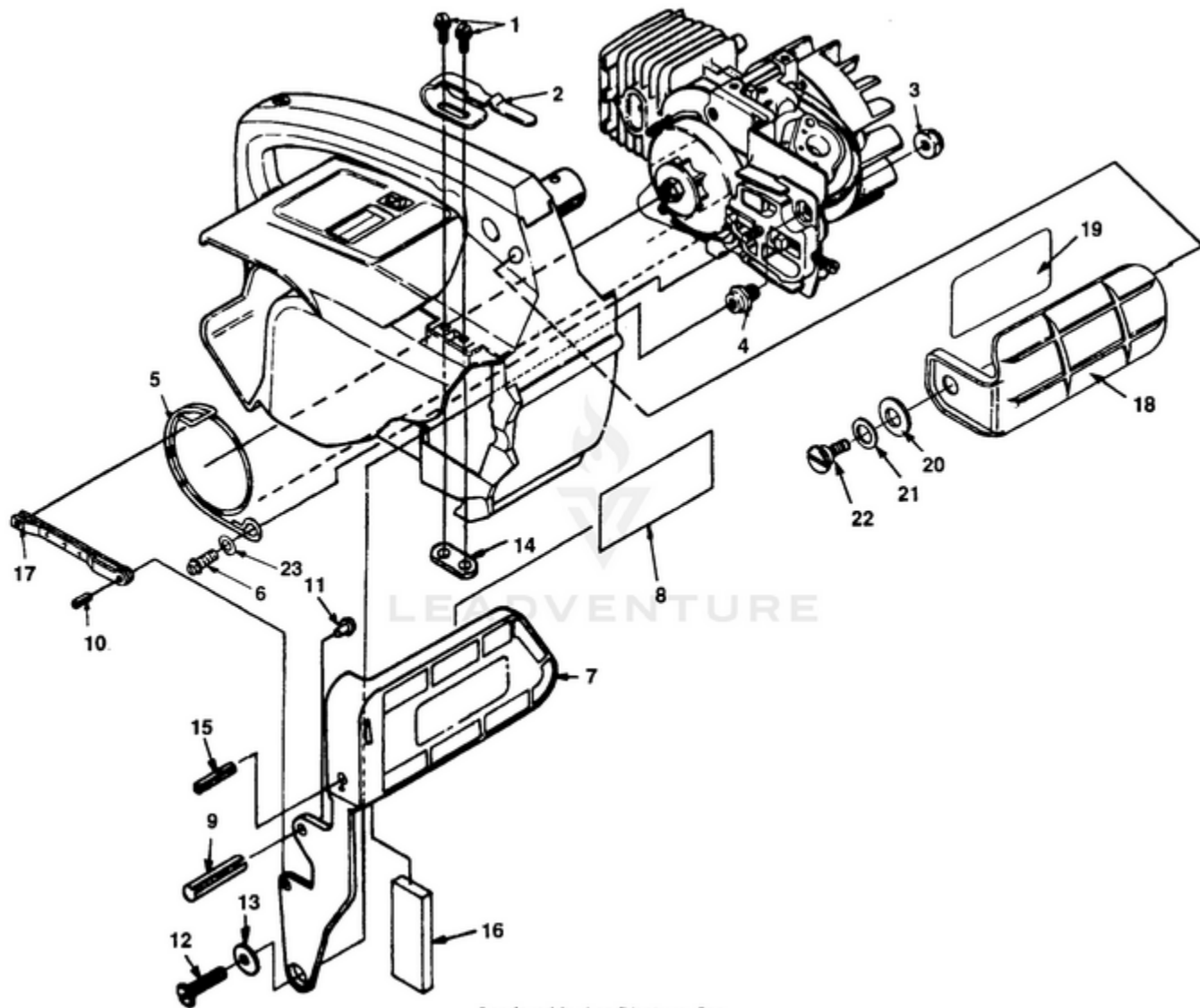


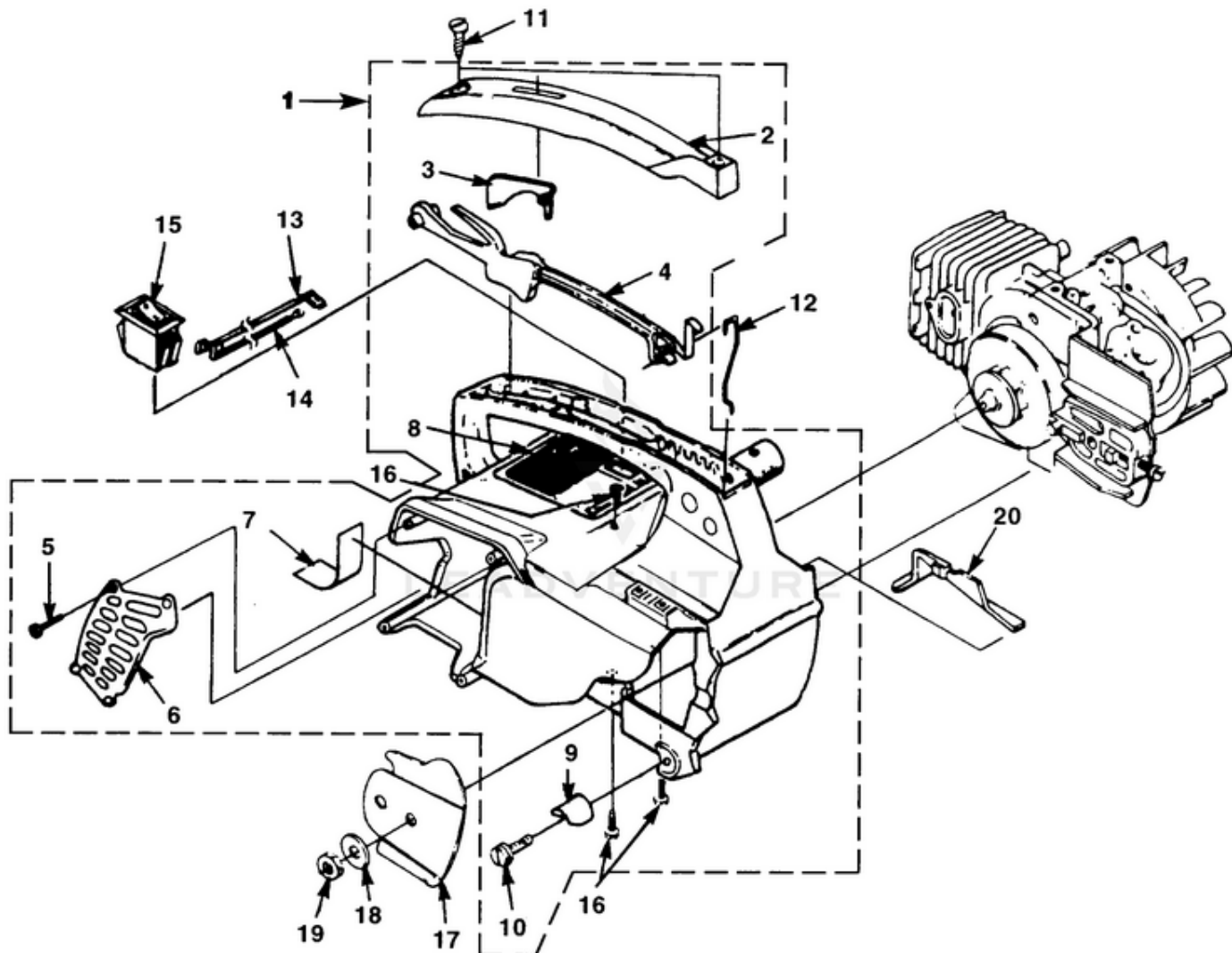
180 Chain Saw UT-10727-C 10727-C-UT 180 Chain Saw UT-10727-C 180 Chain Saw - Chain Brake



Rendered by LeadVenture, Inc.

Ref #	Part #	Description	Qty
1	88043	SCREW - Hex Hd. w/Washer (8-32 X 1/2")	2
2	02635	CLIP - Retaining	1
3	81124A	NUT - Hex, Jam	1
4	70636	POST - Chain Brake	1
5	70637C	BAND - Brake	1
6	82538	SCREW - Thread Form (10-24 x 3/4")	1
7	A03061A	HANDGUARD & LEVER (200, Super 2 SL)	1
8	02661	DECAL - Safety	1
9	JA461383	PIN - Roll (3/16 X 1")	1
10	95395A	PIN - Roll	1
11	82367	SCREW - Drive	1
12	82166	SCREW - Machine, Pan Hd. (10-32 X 1/2")	1
13	70632	WASHER - Flat	1
14	02637	NUT - Weld	1
15	JA461361	PIN - Roll	1
16	07567	WEIGHT - Handle	1
17	A70767	PIVOT - Link	1
18	A70796C	HANDGUARD KIT (Super 2, XL, 180 & 192)	1
19	02661	DECAL - Handguard	1
20	95694	WASHER - Curve Spring	1
21	96102	WASHER Flat	1
22	95714	SCREW - Shoulder	1
23	84008	WASHER - Flat (#10)	1

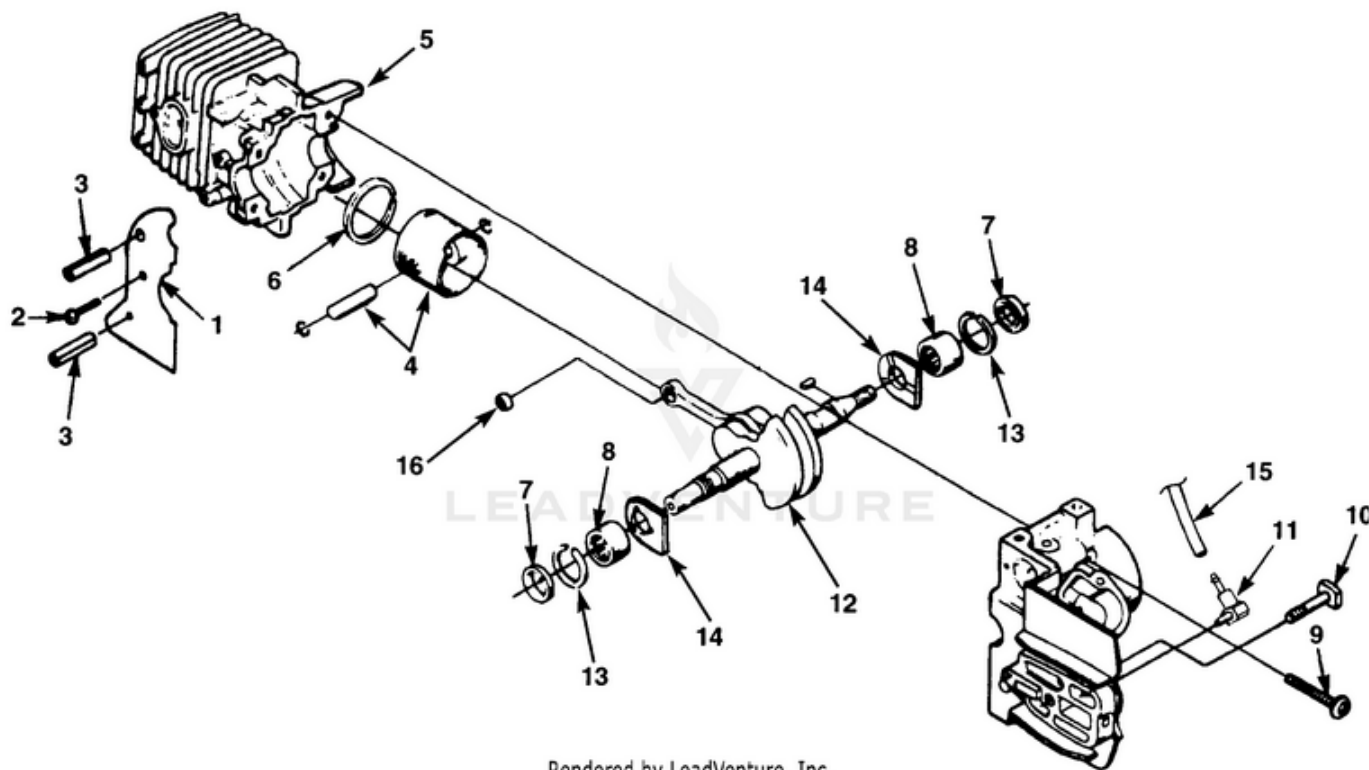
180 Chain Saw UT-10727-C 10727-C-UT 180 Chain Saw UT-10727-C 180 Chain Saw - Engine Housing



Rendered by LeadVenture, Inc.

Ref #	Part #	Description	Qty
1	A07553	ENGINE HOUSING KIT	
2	02495	COVER - Handle	1
3	02493	LOCK - Trigger	1
4	02492A	TRIGGER	1
5	82528	SCREW - Pan, plastite (#6 X 3/8")	4
6	02765	SHIELD - Muffler	1
7	95615	TAPE	2
8	02506	DECAL - Warning	1
9	95212	STOP - Chain	1
10	82563	SCREW - Torx, plastite (#10 X 3/4")	1
11	94065	SCREW - Pan, plastite (#10-16 X 3/4")	2
12	02501	ROD - Throttle	1
13	A02482	LEAD - w/Flag Term.	1
14	A02484	LEAD - w/Ring Term.	1
15	02497	SWITCH	1
16	82538	SCREW - Torx, taptite (10-24 X 3/4")	4
17	04440	PLATE - Guide Bar	1
18	69309A	WASHER - Flat	1
19	810652	NUT - Hex	1
20	02481A	COVER - AIR Filter	1

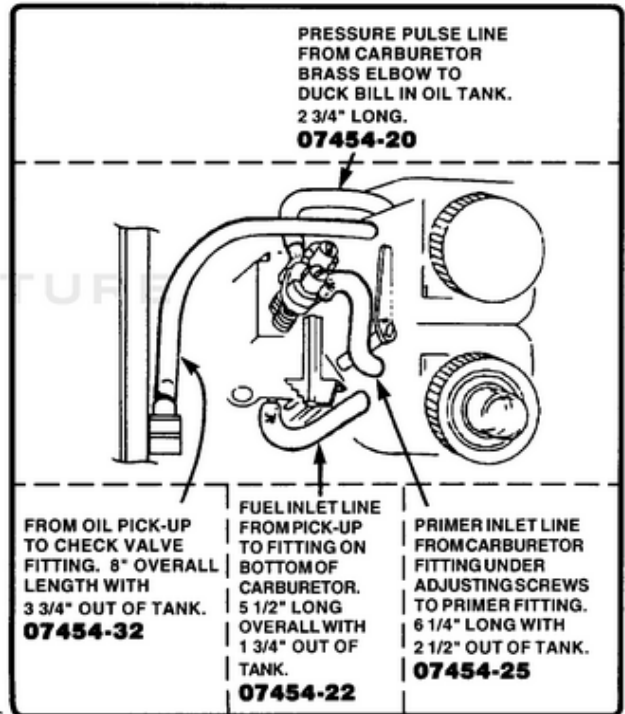
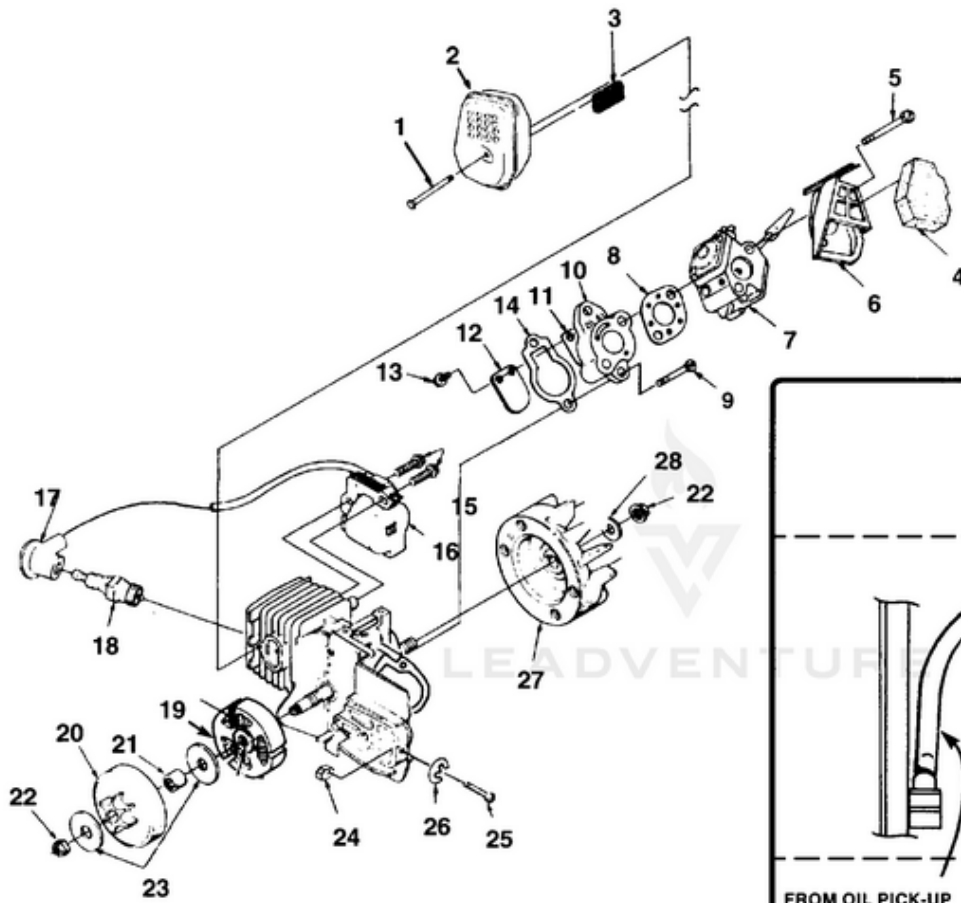
180 Chain Saw UT-10727-C 10727-C-UT 180 Chain Saw UT-10727-C 180 Chain Saw - Engine Internal (XL, [180 Canada])



Rendered by LeadVenture, Inc.

Ref #	Part #	Description	Qty
1	02639	SAW DUST SHIELD	1
2	93932	SCREW - Tapping (#6-32 x 5/16")	1
3	70763	PIN - Roll (5/32 x 1 1/8")	2
	A001321A	SHORT BLOCK (XL,[180 Canada])	1
	UP00068	SHORT BLOCK (XL,[180 Canada])	1
4	A04330	PISTON & PIN ASSY.	1
5	024855	CYLINDER	1
	UP00069	CYLINDER	1
6	93165	RING - Piston	1
7	07025	SEAL Shaft	2
8	12530	BEARING - Needle	2
9	82567	SCREW - Torx Pan Hd. (10-24 x 1 1/8")	4
10	69195	BOLT - Guide Bar	1
11	07510	VALVE - Check	1
12	A04602	CRANKSHAFT - Rod and Bearing	1
13	07025	SEAL - Shaft	2
14	03962	WASHER - Thrust	2
15		TUBING - Rubber (Oil Line)	
16		BEARING - Wrist Pin	

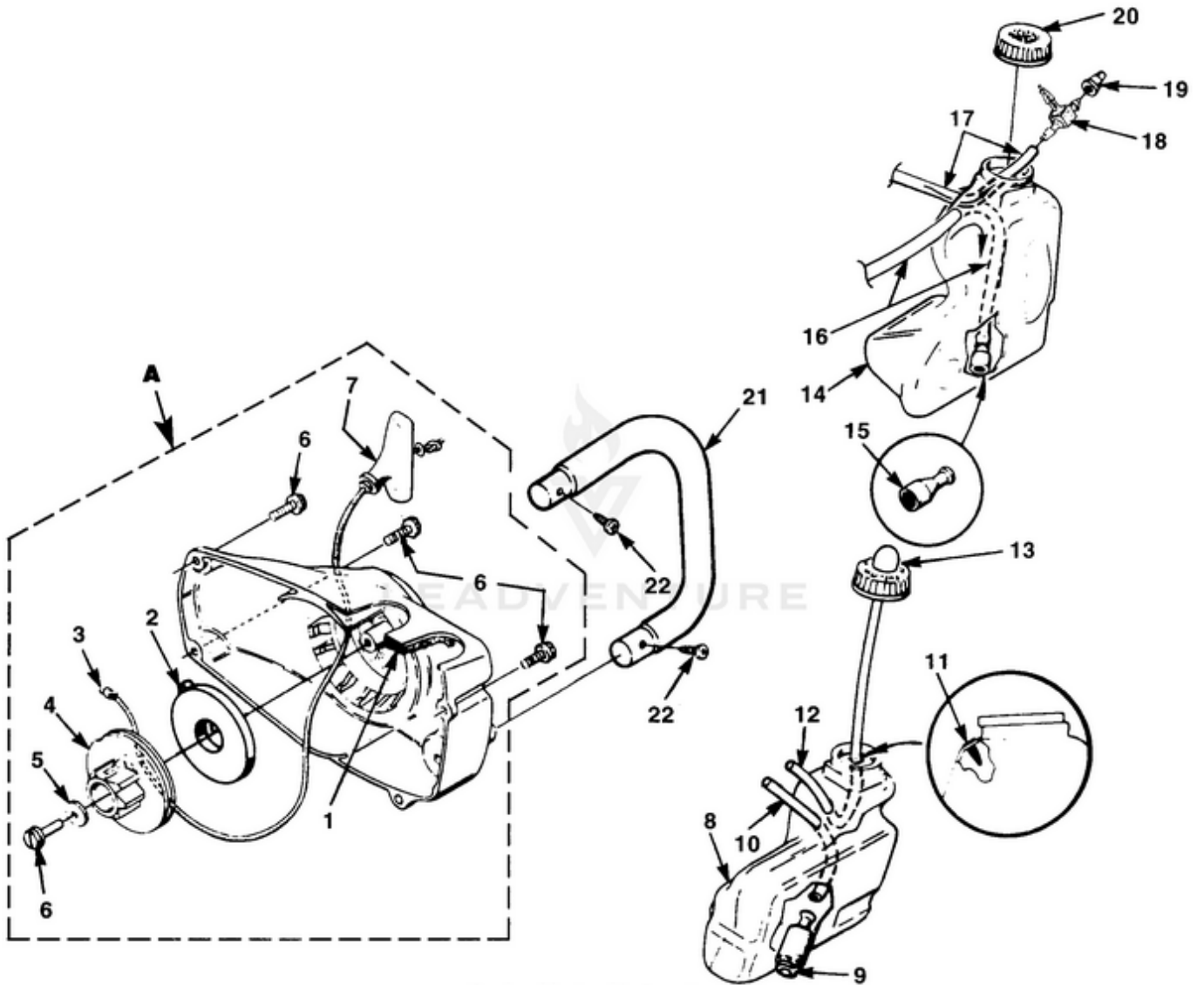
180 Chain Saw UT-10727-C 10727-C-UT 180 Chain Saw UT-10727-C 180 Chain Saw - Ignition, Rotor, Carburetor & Clutch



Rendered by LeadVenture, Inc.

Ref #	Part #	Description	Qty
1	93460	SCREW - Machine Hex Sems (#8-32 X 3/4")	1
2	A02459	MUFFLER	1
3	02458	SCREEN - Spark Arrestor	1
4	02500	FILTER - Air	1
5	00167	SCREW - Thread Forming	2
6	02491A	BOX - Air Filter	1
7	A01373B	CARBURETOR (Zama)	1
8	02488	GASKET - Carburetor	1
9	82589	SCREW - Plastite, (10-14 X 1")	2
10	A02499	HEAT DAM	1
11	95983	REED	1
12	03205	STOP - Reed	1
13	82498	SCREW - Hex Taptite (4-40 X 3/8")	2
14	02453	GASKET - Intake Manifold	1
15	82540	SCREW - Thread Forming (8-32 X 1")	2
16	94711CS	MODULE - Ignition	1
17	A33055	TERMINAL HIGH TENS(P TBO	1
18	96169S	SPARK PLUG (Champion DJ7Y)	1
	79252	SPARK PLUG (Champion RDJ7Y)	1
19	A97921A	CLUTCH KIT	3
20	A95653E	SPROCKET & DRUM	1
21	70277	BEARING	1
22	81229A	NUT - Rotor (5/16-24)	2
23	95299	WASHER - Thrust	2
24	692542	PIN - Adjusting	1
25	A00440	SCREW & E-RING KIT	1
26	93574	E-RING	1
27	A04158S	ROTOR & STARTER PAWL	1
28	84065	WASHER - 5/16"	1
0745432	0745432	LINE - (8")	1
0745420	0745420	PRESSURE PULSE LINE	1
0745425	0745425	PRIMER INLET LINE	1
0745422	0745422	FUEL INLET LINE	1

180 Chain Saw UT-10727-C 10727-C-UT 180 Chain Saw UT-10727-C 180 Chain Saw - Starter & Fuel Tank



Rendered by LeadVenture, Inc.

Ref #	Part #	Description	Qty
A	A06268A	STARTER ASSY., Complete	1
1	69443	FILTER	1
2	A97908	SPRING & CONTAINER	1
3	9789901	ROPE - Starter (46")	1
	98052A	ROPE - Starter (250 Ft. Reel)	1
4	97768B	PULLEY - Starter	1
5	94062	WASHER - Retaining	1
6	82563	SCREW - Torx (#10 X 3/4")	5
7	02264	GRIP - Starter	1
8	A06272	FUEL TANK	1
9	49422	FILTER - Fuel	1
10	0745422	LINE - Fuel (5 1/2")	1
11	98819	VALVE - Duck Bill	1
12	0745425	TUBING - Return (6 1/4")	1
	0745499	TUBING - Rubber (10 Ft. Length)	1
13	A01372A	PRIMER & CAP	1
14	A07554	OIL TANK	1
15	A68593	FINDER - Oil	1
16	0745432	TUBING - Rubber (8")	1
17	0745420	TUBING - Rubber (5")	1
18	A07508	FITTING - Vent	1
19	96841	VALVE - Check	1
20	A97359A	OIL CAP	1
21	A07558	HANDLE BAR	1
22	94065	SCREW - Pan Plastite (#10-16 X 3/4")	2

No
Diagram
Available



Parts List
Only

Ref #	Part #	Description	Qty
	A70776B	SAFE T TIP (Standard)	
	18453	GREASE - Multi Purpose	
	A70239E	KIT - Repair (sprocket nose bar)	
	D24814B	WRENCH (combination)	
	PS24823	SILASTIC (crankcase sealing)	
	A24747A	PULLER - Magneto Rotor	
	HT10001O4	GUIDE BAR	
	H1N7242AH	(35-MD50-42) CHAIN	
	HT12001O4	GUIDE BAR	
	H1N7248BH	(35-MD50-48) CHAIN	
	PT12371O4	GUIDE BAR	
	H1N7248BH	(35-MD50-48) CHAIN	
	PT14371O4	GUIDE BAR	
	H1N7253AH	(35-MD50-53) CHAIN	
	PT16371O4	GUIDE BAR	
	H1N7259AH	(35-MD50-53) CHAIN	
	PT18371O4	GUIDE BAR	
	H1N7264AH	(35-MD50-64) CHAIN	
	JA313164	IGNITION TEST SPARK PLUG	
	22486	SHIM (0.015" AIR GAP)	
	2498201	T25 TORX DRIVE BIT	
	1856601	T27 TORX DRIVE BIT	