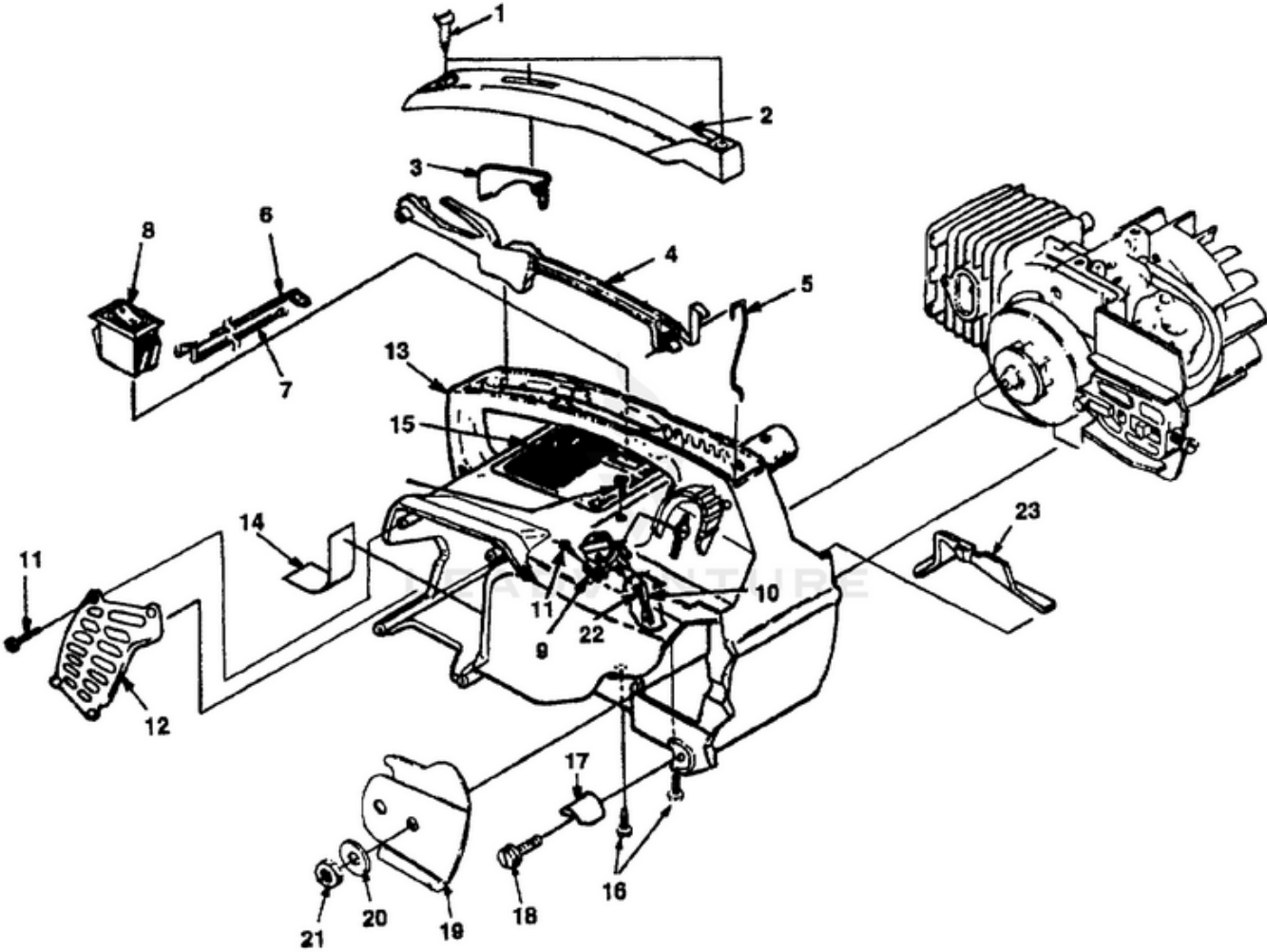


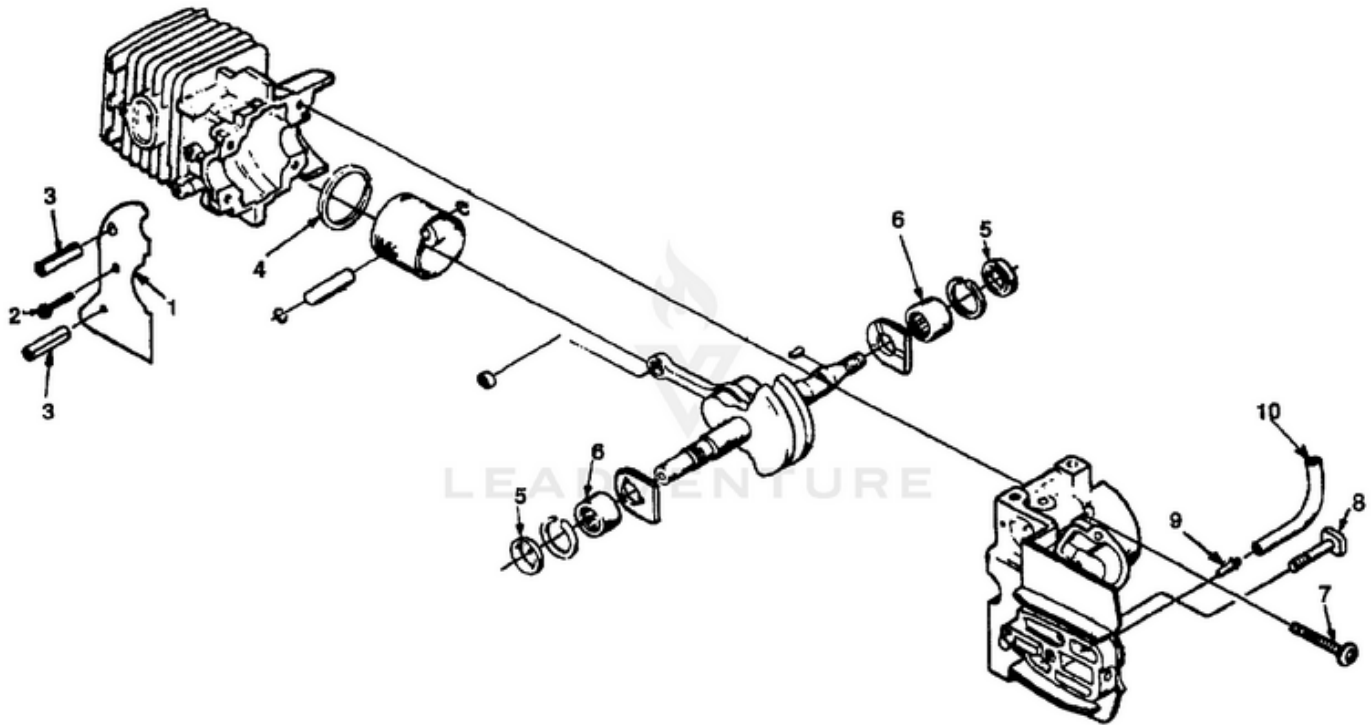
180 Chain Saw UT-10720-C 10720-C-UT 180 Chain Saw UT-10720-C 180 Chain Saw - Engine Housing



Rendered by LeadVenture, Inc.

| <b>Ref #</b> | <b>Part #</b> | <b>Description</b>                  | <b>Qty</b> |
|--------------|---------------|-------------------------------------|------------|
| 1            | 94065         | SCREW-Pan, plastite (#10-16 X 3/4") | 2          |
| 2            | 02495         | COVER-Handle                        | 1          |
| 3            | 02493         | LOCK-Trigger                        | 1          |
| 4            | 02492A        | TRIGGER                             | 1          |
| 5            | 02501         | ROD-Throttle                        | 1          |
| 6            | A02482        | LEAD-w/Flag Term.                   | 1          |
| 7            | A02434        | LEAD-w/Ring Term.                   | 1          |
| 8            | 02491         | SWITCH                              | 1          |
| 9            | A01147        | OIL VALVE                           | 1          |
| 10           | 7031017       | TUBING-Rubber (4 1/4")              |            |
| 11           | 82528         | SCREW-Pan plastite (#6 X 3/8")      | 5          |
| 12           | 02765         | SHIELD-Muffler                      | 1          |
| 13           | A01232        | HOUSING-Engine                      | 1          |
| 14           | 95615         | TAPE                                | 2          |
| 15           | 02490A        | DECAL-Warning                       | 1          |
| 16           | 82538         | SCREW-Torx, taptite (10-24 X 3/4")  | 4          |
| 17           | 95212         | STOP-Chain                          | 1          |
| 18           | 82563         | SCREW-Torx, plastite (#10 X 3/4")   | 1          |
| 19           | 69360A        | PLATE-Guide Bar                     | 1          |
| 20           | 69309A        | WASHER-Flat                         | 1          |
| 21           | 810652        | NUT-Hex                             | 1          |
| 22           | 7031032       | TUBING Rubber (8")                  | 1          |
| 23           | 02481         | COVER- Air Filter                   | 1          |

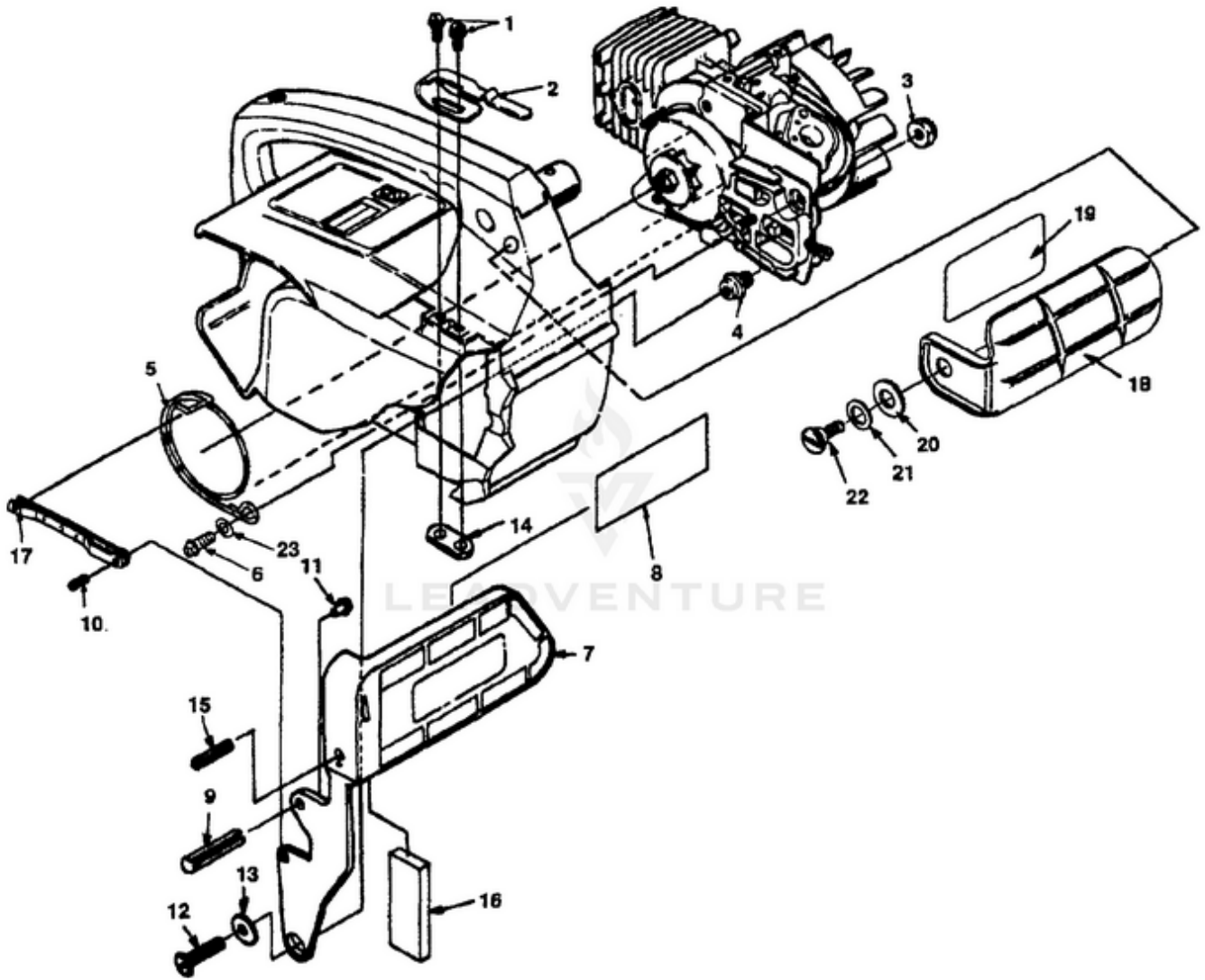
180 Chain Saw UT-10720-C 10720-C-UT 180 Chain Saw UT-10720-C 180 Chain Saw - Engine Internals



Rendered by LeadVenture, Inc.

| <b>Ref #</b> | <b>Part #</b> | <b>Description</b>                           | <b>Qty</b> |
|--------------|---------------|--|------------|
| 1            | 02639         | SAW DUST SHIELD                              | 1          |
| 2            | 93932         | SCREW- Tapping (#6-32 x 5/16")               | 1          |
| 3            | 70763         | PIN- Roll (5/32 x 1 1/8")                    | 2          |
|              | A001321       | SHORT BLOCK (XL, 180)                        | 1          |
| 4            | 93165         | RING- Piston                                 | 1          |
| 5            | 94638         | SEAL- Shaft                                  | 2          |
| 6            | 12530         | BEARING- Needle                              | 2          |
| 7            | 82567         | SCREW- Torx Pan Hd. (10-24 x 1 1/8")         | 4          |
| 8            | 69195         | BOLT-Guide Bar                               | 1          |
| 9            | 94619         | FITTING- Tube                                | 1          |
|              | A01105        | SHORT BLOCK (192, Super 2, 200, Super 2 SL)) | 1          |
|              | 93165         | RING-Piston                                  | 1          |
|              | 94638         | SEAL- Shaft                                  | 2          |
|              | 12530         | BEARING- Needle                              | 2          |
|              | 82567         | SCREW- Torx Pan Hd. (10-24 x 1 1/8")         | 4          |
|              | 69195         | BOLT- Guide Bar                              | 1          |
|              | 94619         | FITTING- Tube                                | 1          |
| 10           | 7031017       | TUBING- Rubber (Oil Line) (4 1/4")           | 1          |
|              | 7031099       | TUBING- Rubber (Oil Line) (10 Ft. Length)    | 1          |

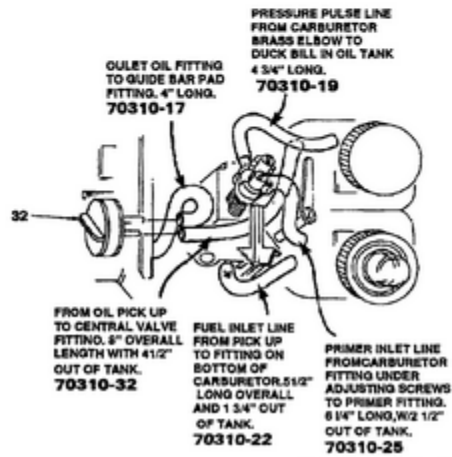
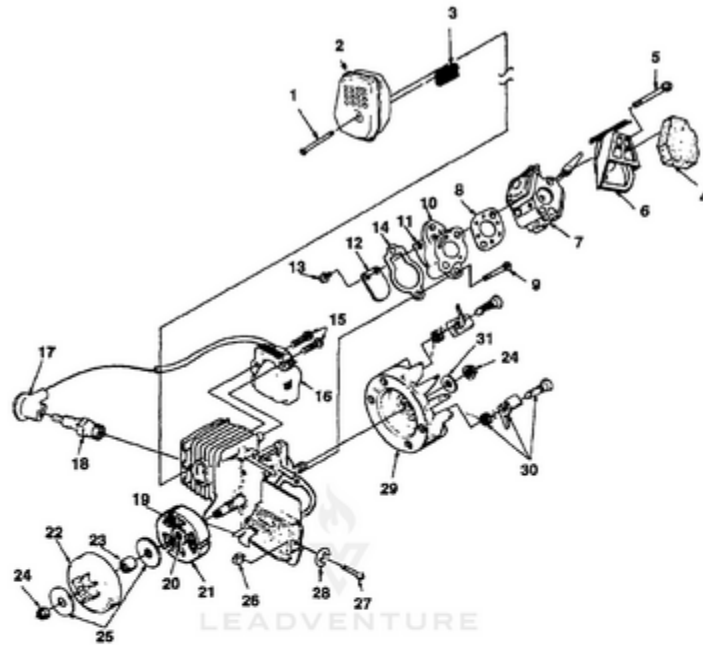
180 Chain Saw UT-10720-C 10720-C-UT 180 Chain Saw UT-10720-C 180 Chain Saw - Handguard & Chain Brake



Rendered by LeadVenture, Inc.

| <b>Ref #</b> | <b>Part #</b> | <b>Description</b>                    | <b>Qty</b> |
|--------------|---------------|---------------------------------------|------------|
| 1            | 88066         | SCREW-Hex Hd. w/Washer (8-32 X 1/2")  | 2          |
| 2            | 02635         | CLIP-Retaining                        | 1          |
| 3            | 81124A        | NUT-Hex, Jam                          | 1          |
| 4            | 70636         | POST-Chain Brake                      | 1          |
| 5            | 70637C        | BAND-Brake                            | 1          |
| 6            | 82538         | SCREW-Thread Form (10-24 x 3/4")      | 1          |
| 7            | A03061A       | HANDGUARD & LEVER                     | 1          |
| 8            | 02661         | DECAL-Safety                          | 1          |
| 9            | JA461383      | PIN-Roll (3/16 X 1")                  | 1          |
| 10           | 95395A        | PIN-Roll                              | 1          |
| 11           | 82367         | SCREW-Drive                           | 1          |
| 12           | 82166         | SCREW-Machine, Pan Hd. (10-32 X 1/2") | 1          |
| 13           | 70632         | WASHER-Flat                           | 1          |
| 14           | 02637         | NUT-Weld                              | 1          |
| 15           | JA461361      | PIN-Roll                              | 1          |
| 16           | 02462         | WEIGHT-Handle                         | 1          |
| 17           | A70767        | PIVOT-Link                            | 1          |
| 18           | A70796C       | HANDGUARD KIT                         | 1          |
| 19           | 02661         | DECAL-Handguard                       | 1          |
| 20           | 95694         | WASHER-Curve Spring                   | 1          |
| 21           | 96102         | WASHER-Flat                           | 1          |
| 22           | 95714         | SCREW-Shoulder                        | 1          |
| 23           | 84008         | WASHER- Flat (#10)                    | 1          |

180 Chain Saw UT-10720-C 10720-C-UT 180 Chain Saw UT-10720-C 180 Chain Saw - Intake, Ignition, Muffler & Clutch

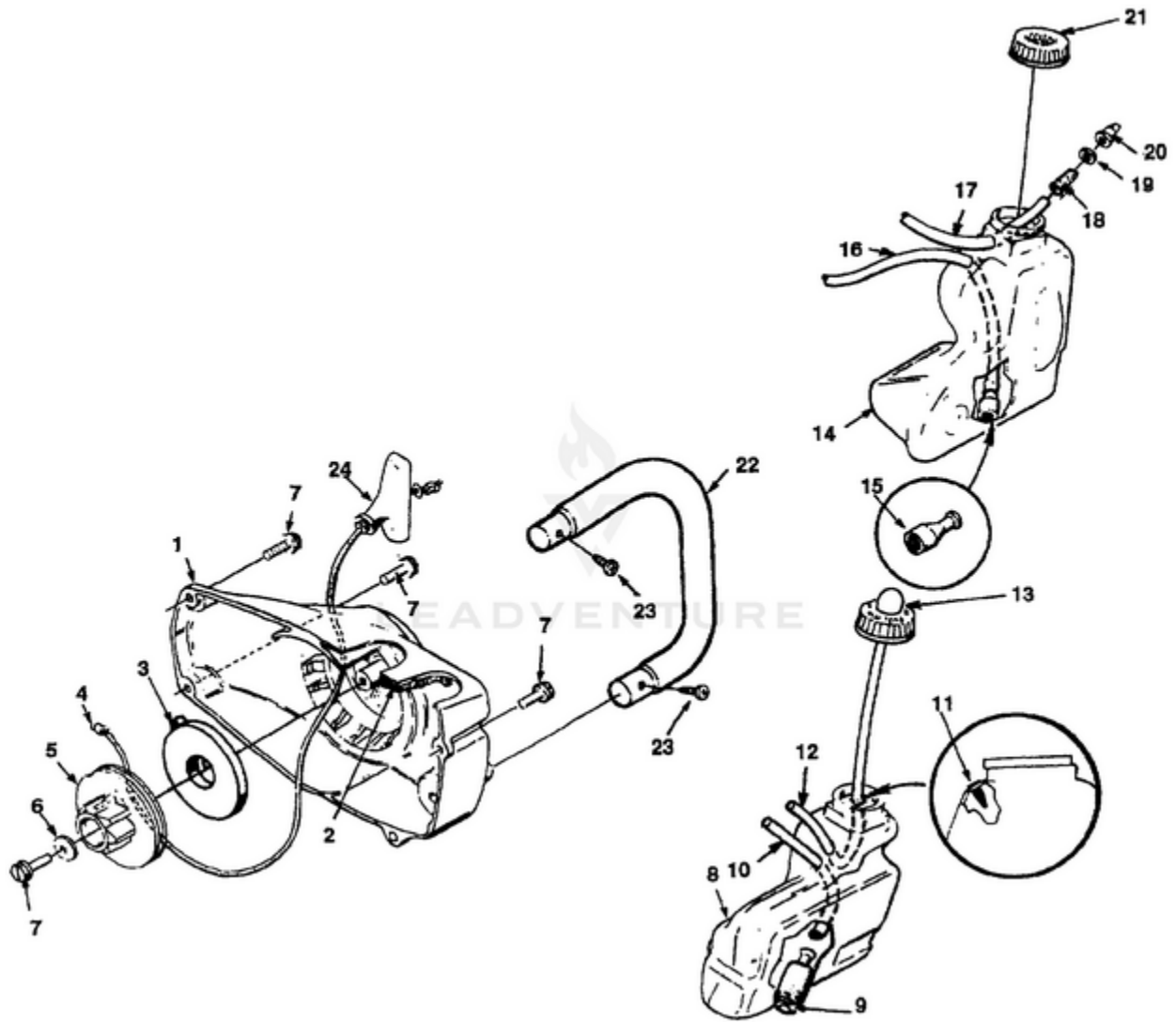


Rendered by LeadVenture, Inc.

| <b>Ref #</b> | <b>Part #</b> | <b>Description</b>                     | <b>Qty</b> |
|--------------|---------------|--|------------|
| 1            | 93460         | SCREW-Machine Hex Sems (#8 -32 X 3/4") | 1          |
| 2            | A02459        | MUFFLER                                | 1          |
| 3            | 02458         | SCREEN-Spark Arrestor                  | 1          |
| 4            | 02500         | FILTER-Air                             | 1          |
| 5            | 00167         | SCREW-Thread Forming                   | 2          |
| 6            | 02491A        | BOX-Air Filter                         | 1          |
| 7            | A01373        | CARBURETOR (Zama)                      | 1          |
| 8            | 02488         | GASKET-Carburetor                      | 1          |
| 9            | 82589         | SCREW-Plastite, (10-14 X 1")           | 2          |
| 10           | A02499        | HEAT DAM                               | 1          |
| 11           | 95983         | REED                                   | 1          |
| 12           | 03205         | STOP-Reed                              | 1          |
| 13           | 82498         | SCREW-Hex Taptite (4-40 X 3/8")        | 2          |
| 14           | 02453         | GASKET-Intake Manifold                 | 1          |
| 15           | 82540         | SCREW-Thread Forming (8-32 X 1")       | 2          |
| 16           | 94711CS       | MODULE-Ignition                        | 1          |
| 17           | A33055        | TERMINAL HIGH TENS(P TBO               | 1          |
| 18           | 96169S        | SPARK PLUG (Champion DJ7Y)             | 1          |
|              | 79252         | SPARK PLUG (Champion RDJ7Y)            | 1          |
| 19           | 03961         | SPRING-Clutch                          | 3          |
| 20           | 79221         | SPIDER-Clutch                          | 1          |
| 21           | 79222A        | SHOE-Clutch                            | 3          |
| 22           | A95653C       | SPROCKET & DRUM                        | 1          |
| 23           | 70277         | BEARING                                | 1          |
| 24           | 81229         | NUT-Rotor (5/16-24)                    | 2          |
| 25           | 95299         | WASHER-Thrust                          | 2          |
| 26           | 692542        | PIN-Adjusting                          | 1          |
| 27           | A00440        | SCREW & E-RING KIT                     | 1          |
| 28           | 93574         | E-RING                                 | 1          |
| 29           | A04158        | ROTOR & STARTER PAWL                   | 1          |
| 30           | A70285E       | STARTER PAWL KIT                       | 1          |
| 31           | 84065         | WASHER-(5/16")                         | 1          |
| 32           | A01147        | OIL VALVE                              | 1          |



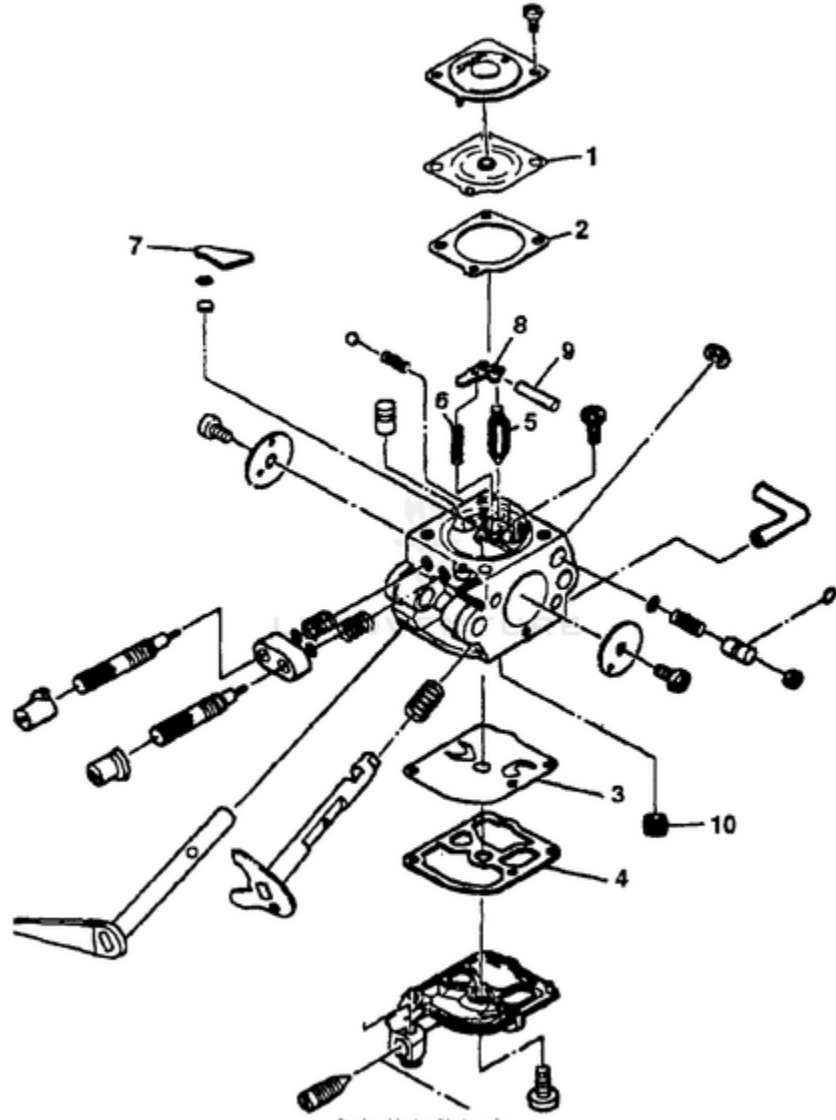
180 Chain Saw UT-10720-C 10720-C-UT 180 Chain Saw UT-10720-C 180 Chain Saw - Starter & Tanks



Rendered by LeadVenture, Inc.

| Ref # | Part #  | Description                         | Qty |
|-------|---------|-------------------------------------|-----|
| 1     | A02562B | STARTER HOUSING ASSY.               | 1   |
| 2     | 69443   | FILTER                              | 1   |
| 3     | A97908  | SPRING & CONTAINER                  | 1   |
| 4     | 9789901 | ROPE-Starter (46")                  | 1   |
|       | 98052A  | ROPE- Starter (250 Ft. Reel)        | 1   |
| 5     | 97768A  | PULLEY Starter                      | 1   |
| 6     | 94062   | WASHER-Retaining                    | 1   |
| 7     | 82563   | SCREW-Torx (#10 x 3/4")             | 5   |
| 8     | A027641 | FUEL TANK                           | 1   |
| 9     | 49422   | FILTER- Fuel                        | 1   |
| 10    | 7031022 | LINE-Fuel (5 1/2")                  | 1   |
| 11    | 08819   | VALVE-Check                         | 1   |
| 12    | 7031025 | TUBING-Return 6 1/4"                | 1   |
|       | 7031099 | TUBING- Rubber (10 Ft. Length)      | 1   |
| 13    | A01372A | PRIMER & CAP                        | 1   |
| 14    | A027631 | OIL TANK                            | 1   |
| 15    | A68593  | FINDER-Oil                          | 1   |
| 16    | 7031032 | TUBING-Rubber (8")                  | 1   |
| 17    | 7031019 | TUBING-Rubber (4 3/4")              | 1   |
| 18    | 69659B  | FITTING-Oil                         | 1   |
| 19    | 83004   | WASHER- Lock                        | 1   |
| 20    | 98819   | VALVE-Check                         | 1   |
| 21    | A97230A | OIL CAP                             | 1   |
| 22    | 02496   | HANDLE BAR                          | 1   |
| 23    | 94065   | SCREW- Pan Plastite (#10-16 x 3/4") | 2   |
| 24    | 02264   | GRIP-Starter                        | 1   |

180 Chain Saw UT-10720-C 10720-C-UT 180 Chain Saw UT-10720-C 180 Chain Saw - Carburetor & Accessories



Rendered by LeadVenture, Inc.

| <b>Ref #</b> | <b>Part #</b> | <b>Description</b>     | <b>Qty</b> |
|--------------|---------------|------------------------|------------|
|              | A03904        | DIAPH&GSKT<br>KIT(250) | 1          |
|              | A01375        | Repair Kit             | 1          |
| 1            |               |                        | 1          |
| 2            |               |                        | 1          |
| 3            |               |                        | 1          |
| 4            |               |                        | 1          |
| 5            |               |                        | 1          |
| 6            |               |                        | 1          |
| 7            |               |                        | 1          |
| 8            |               |                        | 1          |
| 9            |               |                        | 1          |
| 10           |               |                        | 1          |