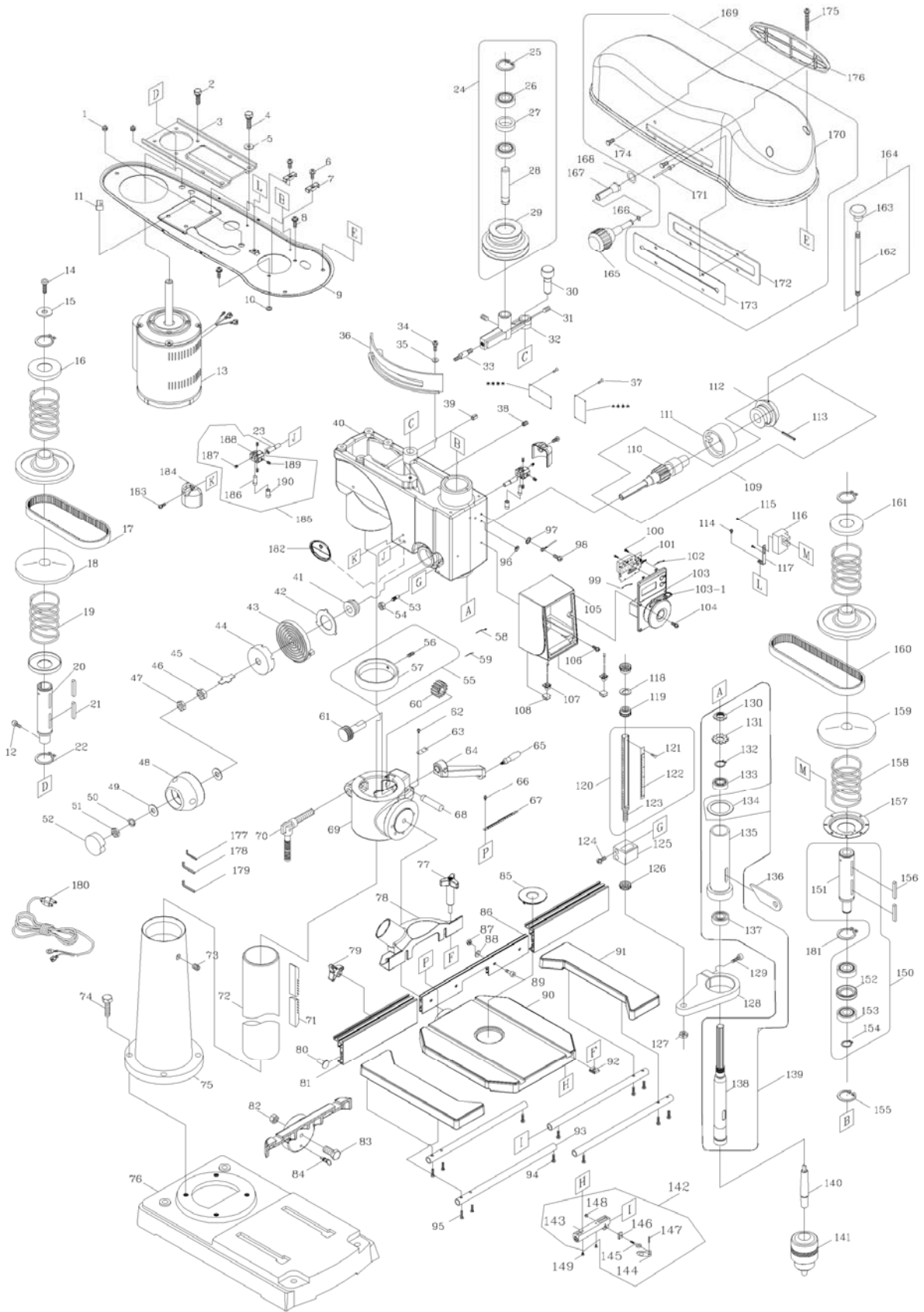


Model 2800 Drill Press



Parts List: Model 2800 Drill Press

Index No.	Part No.	Description	Size	Qty
1	PM2800-001	Strain Relief		2
2	TS-1482051	Hex Cap Screw	M6x25	4
3	PM2800-003	Retaining Plate		1
4	TS-1490031	Hex Cap Screw	M8x20	4
5	TS-1550061	Flat Washer	M8	4
6	TS-1533052	Pan Head Screw	M5x16	2
7	PM2800-007	Cord Clamp		2
8	TS-1534052	Phillips Pan Head Machine Screw	M6x16	2
9	PM2800-009	Lower Pulley Cover		1
10	TS-0680021	Flat Washer	1/4"	4
11	PM2800-011	Strain Relief		1
12	TS-1503041	Socket Head Cap Screw	M6x16	1
13	PM2800-013	Motor	1HP, 115/230V, 1Ph	1
	PM2800-013MF	Motor Fan (not shown)		1
	PM2800-013MFC-2	Motor Fan Cover (not shown)		1
	PM2800-013SC-2	Starting Capacitor (for serial # 09070001 and higher)	.300MFD, 250VAC	1
	PM2800-013CS	Centrifugal Switch (not shown)		1
14	PM2800-014	Socket Head Cap Screw (LH Thread)	M6x12	1
15	TS-0680021	Flat Washer	1/4"	1
16	PM2800-016	Spring Cap		1
17	PM2800-017	Variable Speed Belt	17x8x776 mm	1
18	PM2800-018	Pulley		2
19	PM2800-019	Compression Spring		2
20	PM2800-020	Shaft Sleeve		1
21	PM2800-021	Key	5x5x35 mm	2
22	PM2800-022	C-Ring	A-30	2
23	PM2800-023	Set Bolt		2
24	PM2800-024	Center Pulley Assembly		1
25	PM2800-025	C-Ring	B-35	1
26	BB-6202ZZ	Ball Bearing	6202ZZ	2
27	PM2800-027	Collar		1
28	PM2800-028	Center Shaft		1
29	PM2800-029	Center Pulley		1
30	PM2800-030	Post		1
31	TS-1524011	Set Screw	M8x8	2
32	PM2800-032	Speed Bar Seat		1
33	PM2800-033	Stud		1
34	TS-1534052	Pan Head Screw	M6x16	1
35	PM2800-035	Washer		1
36	PM2800-036	Guide		1
37	PM2800-037	Drive Screw	Ø2.3-5 mm	8
38	TS-1525021	Socket Set Screw	M10x12	2
39	PM2800-039	Spring Pin	M6x25	2
40	PM2800-040	Head		1
41	PM2800-041	Shaft Seat		1
42	PM2800-042	Spring Retainer		1
43	PM2800-043	Coil Spring		1
44	PM2800-044	Spring Cap		1
	PM2800-044A	Coil Spring Assembly (includes index # 43 and 44)		1
45	PM2800-045	Cushion	30x21-2 mm	1
46	TS-0561052	Hex Nut	1/2"-20UNF	1
47	TS-0571052	Hex Jam Nut	1/2"-20UNF	1
48	PM2800-048	Hub		1
49	TS-2360121	Flat Washer	M12	2
50	TS-0720111	Lock Washer	1/2"	1
51	TS-0561052	Hex Nut	1/2"-20UNF	1
52	PM2800-052	Cover		1

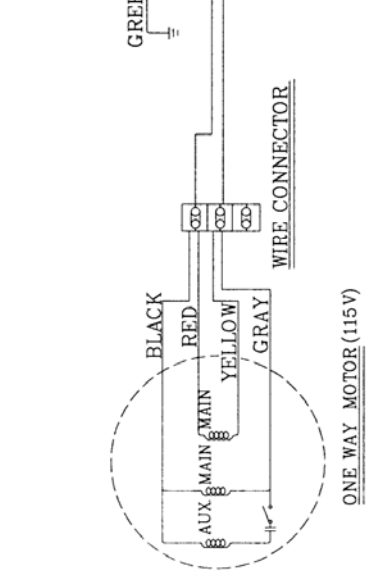
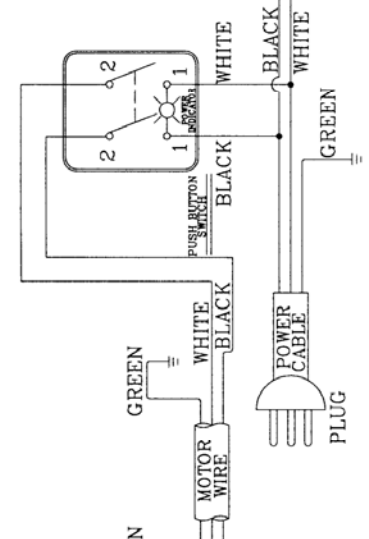
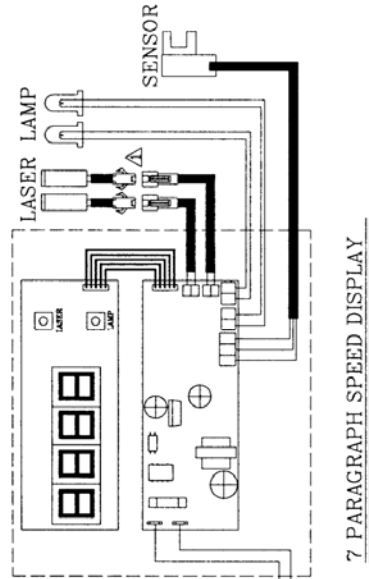
53	PM2800-053	Quill Set Screw	M10x1.5-2A	1
54	TS-1540071	Hex Nut	M10	1
55	PM2800-055	Rack Ring Assembly		1
56	TS-1523021	Socket Head Set Screw	M6x8	1
57	PM2800-057	Rack Ring		1
58	PM2800-058	Lead Wire Assembly	26AWG*2C-550MM	2
59	PM2800-059	Locking Cable Tie	A-085S	1
60	PM2800-060	Gear		1
61	PM2800-061	Worm		1
62	PM2800-037	Drive Screw	Ø2.3-5 mm	2
63	PM2800-063	Centering Scale		1
64	PM2800-064	Crank Arm		1
65	PM2800-065	Crank Arm Handle	M10	1
66	PM2800-037	Drive Screw	Ø2.3-5 mm	2
67	PM2800-067	Tilt Angle Scale		1
68	PM2800-068	Gear Shaft		1
69	PM2800-069A	Table Bracket		1
70	PM2800-070	Column Lock Handle	M12x35	1
71	PM2800-071	Rack	108T	1
72	PM2800-072	Column		1
73	TS-1525021	Set Screw	M10x12	1
74	TS-1491061	Hex Cap Screw	M10x40	4
75	PM2800-075	Column Holder		1
76	PM2800-076	Base		1
77	PM2800-077	Locking Knob		2
78	PM2800-078	Dust Port		1
79	PM2800-079	Knob		2
80	PM2800-080	Carriage Bolt	M6x20	2
81	PM2800-081	Fence		2
82	PM2800-082	Nut	5/8"-11	1
83	PM2800-083	Hex Bolt	5/8"-11x2-3/8"	1
84	PM2800-084	Alignment Bolt Assembly		1
85	PM2800-085	Table Insert		1
86	PM2800-086	Fence Body		1
87	TS-1540041	Hex Nut	M6	2
88	PM2800-088	Washer	8x15-1 mm	2
89	TS-1503031	Socket Head Cap Screw	M6x12	2
	PM2800-TBA*	Table and Bracket Assembly [only serial # 7040000 and previous]. (includes index # 60,62,63,66,67,68,69,82,83,84,90 and 91)		1
90	PM2800-090A	Table		1
91	PM2800-091A	Table Extension Wing		2
92	PM2800-092	T-Nut		2
93	PM2800-093	Slide Tube		4
94	PM2800-094	Pan Head Tapping Screw	M5x10	4
95	PM2800-095	Pan Head Tapping Screw	M6x25	8
96	PM2800-096	Grounding Sticker		1
97	PM2800-097	Tooth Washer	M5	2
98	TS-1533032	Phillips Pan Head Machine Screw	M5x10	2
99	PM2800-99	Lead Wire Assembly	14AWG 2.0-160L	1
100	PM2800-100	Truss Head Tapping Screw	M3x8	4
101	PM2800-101	Controller Assembly	115/230V, 60HZ	1
102	PM2800-102	Lead Wire Assembly	14AWG 2.0-160L	1
103	PM2800-103	Push-Pull Type Switch Assembly	125V, 20A, 1Ph	1
103-1	PM2800-103-1	Switch Safety Key		1
	PM2800-103SL	Switch Label (not shown)		1
104	PM2800-104	Pan Head Tapping Screw	M5x16	4
105	PM2800-105	Switch Box		1
106	TS-1533052	Phillips Pan Head Machine Screw	M5x16	3

* Drill Presses serial # 7040000 and previous, must use complete Table and Bracket Assembly PM2800-TBA. For Drill Presses serial # 7040001 and up, order the individual parts as listed.

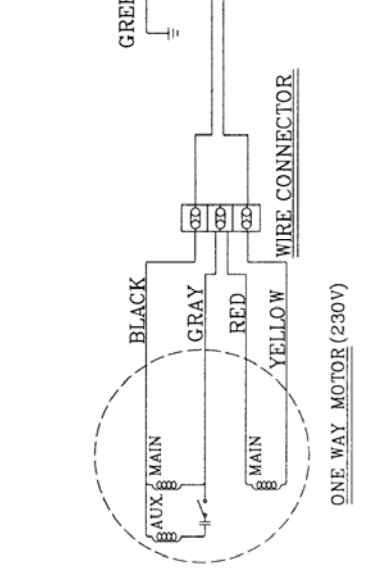
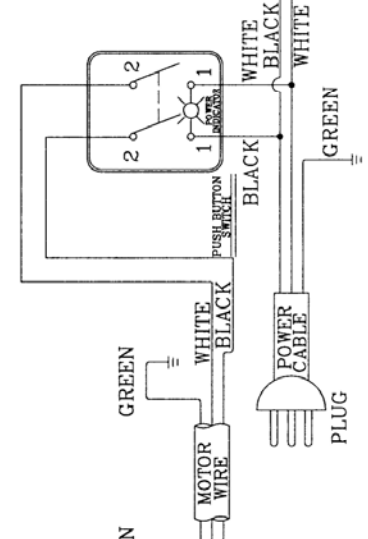
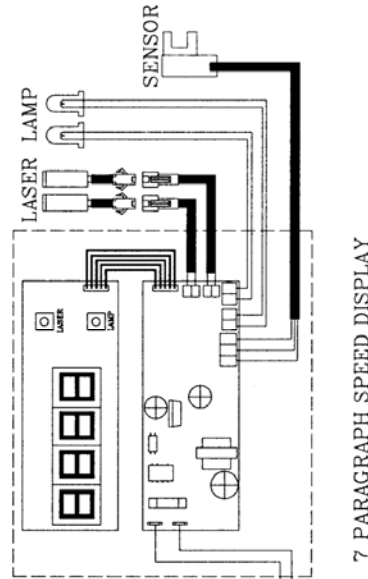
107	PM2800-107	LED Lamp Assembly	2	
108	PM2800-108	LED Lamp Cover	2	
109	PM2800-109	Feed Shaft Assembly	1	
110	PM2800-110	Feed Shaft	1	
111	PM2800-111	Ring	1	
112	PM2800-112	Hub	1	
113	PM2800-113	Spring Pin	1	
114	TS-1533032	Phillips Pan Head Machine Screw	M5x10	1
115	PM2800-115	Truss Head Tapping Screw	M2x8	2
116	PM2800-116	Photo Interrupt Module		1
117	PM2800-117	Bracket		1
118	PM2800-118	Washer		1
119	PM2800-119	Stop Nut	M16	2
120	PM2800-120	Depth Stop Bolt & Scale Assembly		1
121	PM2800-037	Drive Screw	Ø2.3-5 mm	2
122	PM2800-122	Scale	4-3/8 Inch	1
123	PM2800-123	Depth Stop Bolt		1
124	TS-1534092	Phillips Pan Head Machine Screw	M6x35	2
125	PM2800-125	Plunge Housing		1
126	PM2800-126	Circular Nut		1
127	TS-1540071	Hex Nut	M10	1
128	PM2800-128	Set Collar		1
129	TS-1504051	Socket Head Cap Screw	M8x25	1
130	PM2800-130	Spindle Nut		1
131	PM2800-131	Nut Lock		1
132	PM2800-132	Washer		1
133	BB-6203ZZ	Ball Bearing	6203ZZ	1
134	PM2800-134	Rubber Washer		1
135	PM2800-135	Quill		1
136	PM2800-136	Drift Key		1
137	BB-6205ZZ	Ball Bearing	6205ZZ	1
138	PM2800-138	Spindle		1
139	PM2800-139	Spindle Assembly		1
140	PM2800-140	Arbor	MT2xJT3	1
141	PM2800-141	Keyless Chuck	RJ3-16L	1
142	PM2800-142	Slide Base Assembly		4
143	PM2800-143	Slide Base		1
144	PM2800-144	Clamp Handle		1
145	PM2800-145	Bolt		1
146	PM2800-146	Cushion		1
147	PM2800-147	Spring Pin	M5x20	1
148	TS-1541011	Nylon Lock Hex Nut	M5	1
149	TS-1533042	Phillips Pan Head Machine Screw	M5x12	8
150	PM2800-150	Drive Sleeve Assembly		1
151	PM2800-151	Drive Sleeve		1
152	PM2800-152	Collar		1
153	BB-6205ZZ	Ball Bearing	6205ZZ	2
154	PM2800-154	C-Ring	A-25	1
155	PM2800-155	Retaining Ring		2
156	PM2800-021	Key	5x5x35 mm	2
157	PM2800-157	Spring Cap		1
158	PM2800-158	Compression Spring		2
159	PM2800-159	Pulley		2
160	PM2800-160	Variable Speed Belt	17x8x570 mm	1
161	PM2800-161	Spring Cap		1
162	PM2800-162	Handle		3
163	PM2800-163	Handle Grip		3
164	PM2800-164	Handle Assembly		1
165	PM2800-165	Shift Knob		1
166	PM2800-166	O-Ring	P6	1
167	PM2800-167	Collar		1

168	PM2800-168	Washer	1/2"x1-3/64"	1
169	PM2800-169	Pulley Cover Assembly		1
170	PM2800-170	Pulley Cover		1
	PM2800-170SSL	Spindle Speed Label (not shown)		1
171	PM2800-171	Rivet	3/16"x27/64"	4
172	PM2800-172	Set Plate		1
173	PM2800-173	Bumper		1
174	6714154	Hex Cap Screw	1/4"-20x3/8"	2
175	TS-2286402	Phillips Pan Head Machine Screw	M6x40	3
176	PM2800-176	POWERMATIC Name Plate		1
177	TS-152704	Hex Wrench	3 mm	1
178	TS-152706	Hex Wrench	5 mm	1
179	TS-152707	Hex Wrench	6 mm	1
180	PM2800-180	Power Cord	14AWGx3C	1
181	PM2800-181	Retaining Ring		2
182	PM2800-182	Cover		1
183	TS-1533042	Phillips Pan Head Machine Screw	M5x12	2
184	PM2800L-02	Guard		2
185	PM2800L-03	Laser Assembly		2
186	PM2800L-04	Laser Module		2
187	TS-1523011	Socket Set Screw	M6x6	2
188	PM2800L-06	Laser Housing		2
189	TS-1523011	Socket Set Screw	M6x6	6
190	PM2800L-08	Laser Plunger Housing		2

Electrical Connections

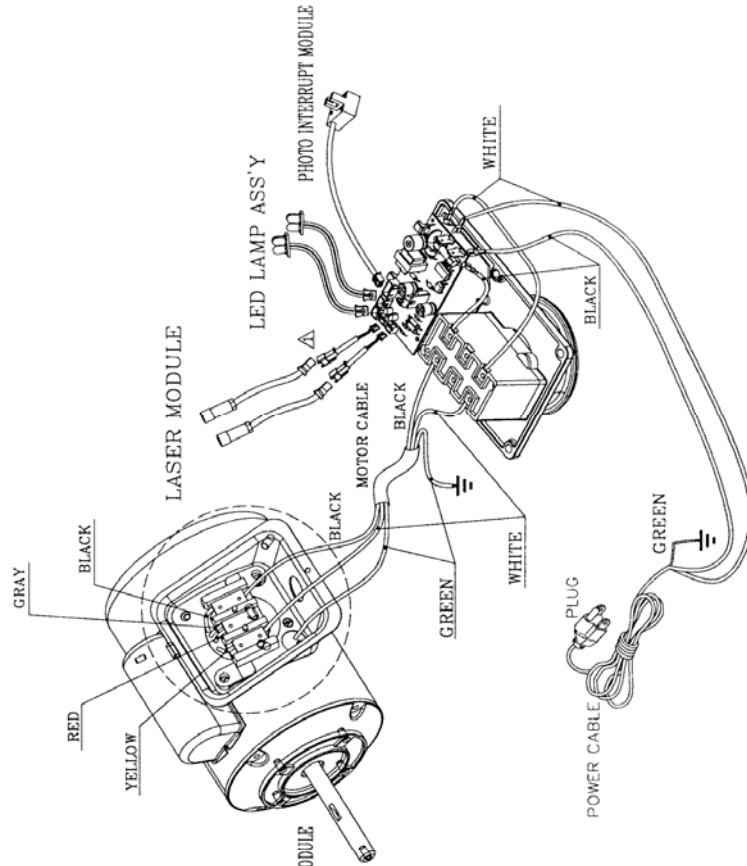


115V CONNECTOR DIAGRAM

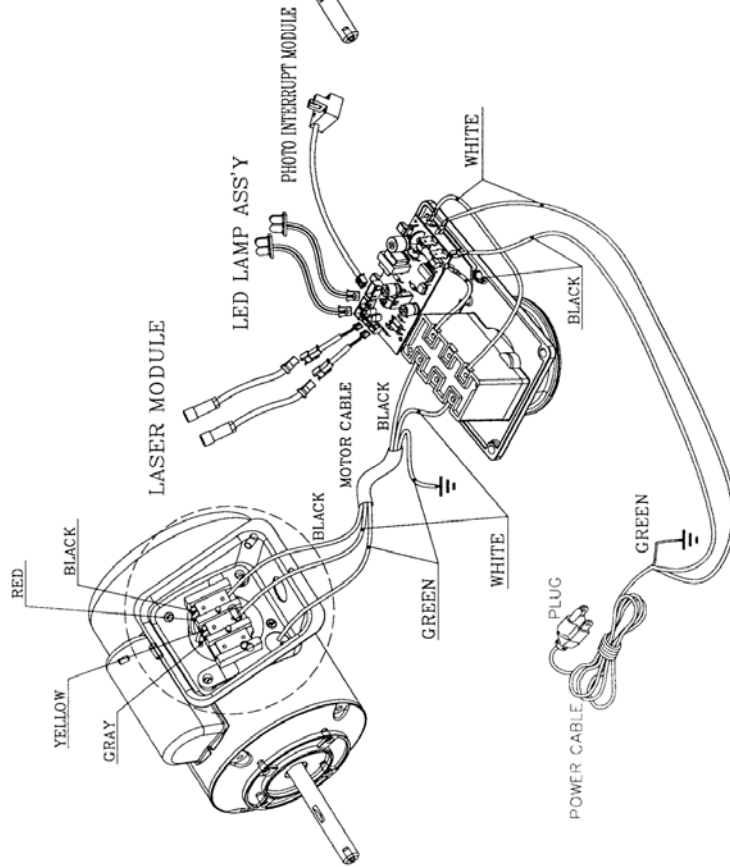


230V CONNECTOR DIAGRAM

Electrical Connections



230V THREE-CONNECTOR DIAGRAM



115V THREE-CONNECTOR DIAGRAM