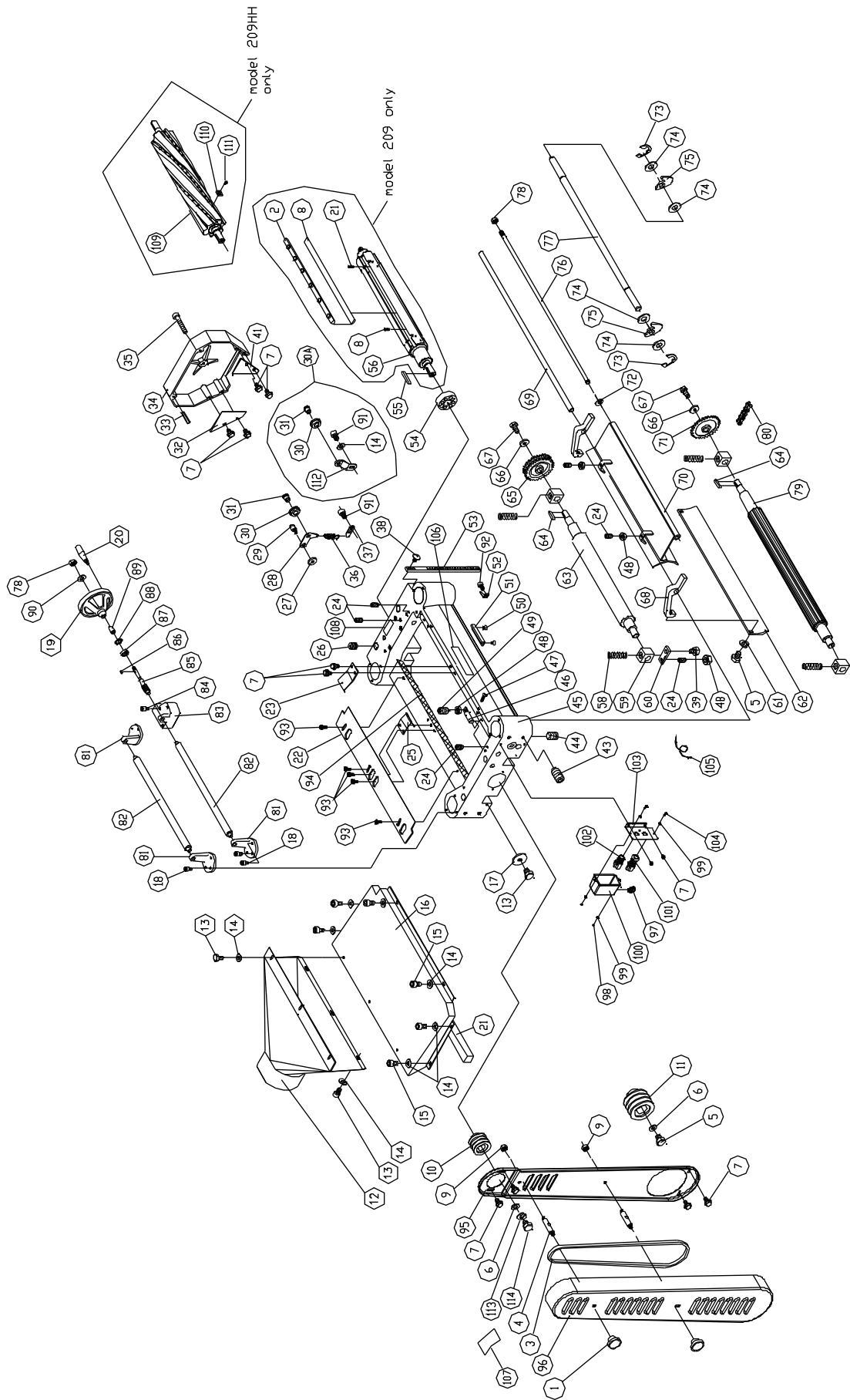


Cutterhead Assembly



Parts List: Cutterhead Assembly

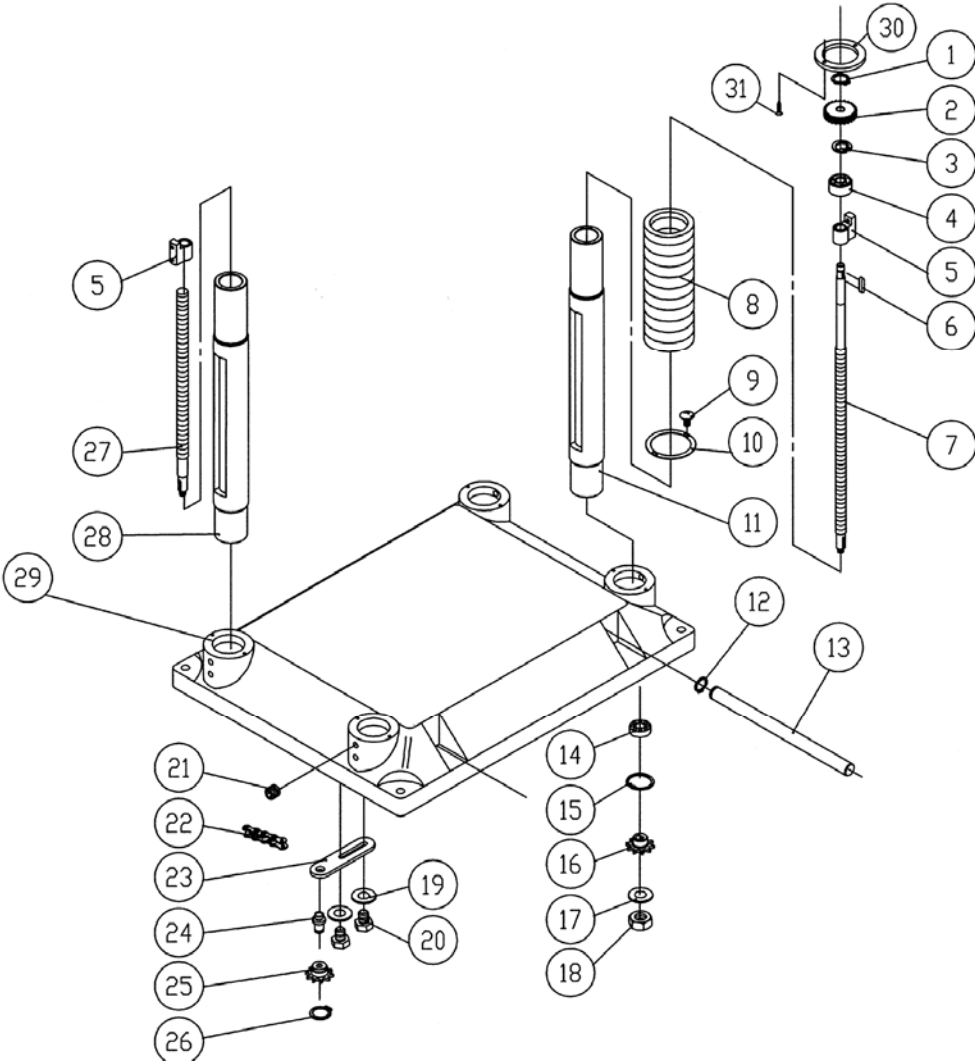
| Index No. | Part No. | Description | Size | Qty |
|-----------|------------|--|------------------|-----|
| 1 | 6012204 | Nut | 5/16-18NC | 2 |
| 2 | 6292622 | Knife Locking Bar * | | 4 |
| 3 | VB-M59 | Belt (model 209) | | 3 |
| | 209HH-1003 | Belt (model 209HH) | | 3 |
| 4 | 6292696 | Bolt | | 2 |
| 5 | 6292639 | Hex Head Bolt | M8 x 1.25P x 20L | 2 |
| 6 | 6292631 | Washer | 8 x 30 x 3 | 1 |
| 7 | 6292660 | Hex Head Bolt With Washer | M6 x 1.25P x 12L | 16 |
| 8 | 6292621 | Knife (set of 4) * | | 1 |
| 9 | 6292698 | Hex Nut | 5/16"-18NC | 2 |
| 10 | 6292630 | Machined Pulley | | 1 |
| 11 | 6292633 | Motor Pulley | | 1 |
| 12 | 6292672 | Collector Tube | | 1 |
| 13 | 6292654 | Hex Head Bolt | M6 x 1.0P x 12L | 10 |
| 14 | 6292653 | Washer | 1/4 | 12 |
| 15 | TS-1482011 | Hex Cap Screw | M6 x 1.0P x 10L | 6 |
| 16 | 6292670 | Upper Cover | | 1 |
| 17 | 6292814 | Flat Washer | 8.5 x 23 x2T | 4 |
| 18 | 6292675 | Hex Cap Screw | M6 x 1.0P x 16L | 9 |
| 19 | 6292682 | Handwheel | | 1 |
| 20 | 6292684 | Handle | | 1 |
| 21 | 6292620 | Spring * | | 8 |
| 22 | 6292663 | Chip Deflector | | 1 |
| 23 | 6292652 | Plate Spring | | 3 |
| 24 | 6292640 | Set Screw | M6 x 1.0P x 16 | 9 |
| 25 | 6292662 | Plate Spring | 0.6 | 1 |
| 26 | 6292637 | Screw | M22 x 1.5P x 20 | 4 |
| 27 | 6292720 | Collar | | 1 |
| 28 | 6292716 | Bracket | | 1 |
| 29 | 6292717 | Shaft | | 1 |
| 30A | 209HH-IPA | Idle Pulley Assembly – model 209HH (index no. 14,30,31,91,112) | | 1 |
| 30 | 6292715 | Idle Pulley | | 2 |
| 31 | 6292714 | Shaft | | 2 |
| 32 | 6292693 | Safety Hatch | | 1 |
| 33 | 6292690 | Spring Pin | 6 Dia x20 | 2 |
| 34 | 6292689 | Cover | | 1 |
| 35 | 6292694 | Socket Head Cap Screw | M8 x 1.25P x 40L | 1 |
| 36 | 6292719 | Spring | | 1 |
| 37 | 6292718 | Hanger | | 1 |
| 38 | 6292817 | Round Head Screw | M6 x 1.0P x 12L | 1 |
| 39 | 6292818 | Hex Head Bolt | M8 x 1.25P x 18L | 4 |
| 41 | 6292693 | Safety Hatch | | 1 |
| 43 | 6292618 | Set Screw | M10 x 1.5P x 12L | 8 |
| 44 | TS-1524031 | Set Screw | M8 x 1.25P x 12L | 5 |
| 45 | 6292617 | Casting Head | | 1 |
| 46 | 6292659 | Shaft | | 2 |
| 47 | 6292705 | Rivet | | 4 |
| 48 | 6292641 | Hex Nut | M6 x 1.0P | 8 |
| 49 | 6292661 | Set Screw | M6 x 1.0 x 20L | 2 |
| 50 | 6292669 | Flat Head Machine Screw | M6 x 0.8P x 8L | 2 |
| 51 | 6292668 | Cut Limiter Plate | | 1 |
| 52 | 6292687 | Cut Limiter Pointer | | 1 |
| 53 | 6292685 | Scale | | 1 |
| 54 | BB-6206ZZ | Bearing | 6206ZZ-2NSE | 1 |
| 55 | 6292629 | Key | 8 x 8 x 36 | 1 |
| 56 | 6292619 | Cutterhead * | | 1 |

* Index Nos. 2, 8, 21 and 56 are used only on the Model 209 Planer.

| | | | |
|-----|------------|--------------------------------------|-----------------------|
| 58 | 6292636 | Spring | 4 |
| 59 | 6292635 | Bushing | 4 |
| 60 | 6292638 | Plate | 4 |
| 61 | 6292658 | Lock Washer | 2 |
| 62 | 6292657 | Pressure Plate | 1 |
| 63 | 6292646 | Outfeed Roller | 1 |
| 64 | 6292642 | Key | 5 x 5 x 23 2 |
| 65 | 6292647 | Sprocket | 1 |
| 66 | 6292644 | Washer | 6.2 x 20 x 3T 2 |
| 67 | 6292645 | Hex Head Bolt | M6 x 1.0P x 16L 2 |
| 68 | 6292656 | Bracket | 1 |
| 69 | 6292655 | Shaft | 1 |
| 70 | 6292650 | Chip Breaker | 1 |
| 71 | 6292643 | Sprocket | 31T 1 |
| 72 | 6292649 | Retaining Ring | STW-12 2 |
| 73 | 6292667 | Retaining Ring | 2 |
| 74 | 6292665 | Collar | 56 |
| 75 | 6292664 | Anti-kickback Finger | 55 |
| 76 | 6292648 | Locking Bolt | 1 |
| 77 | 6292666 | Shaft | 1 |
| 78 | 6292651 | Nut | M12 x 1.75P 2 |
| 79 | 6292634 | Infeed Roller | 1 |
| 80 | 6292706 | Chain | 06B 1 |
| 81 | 6292673 | Roller Stand | 3 |
| 82 | 6292674 | Roller | 2 |
| 83 | 6292678 | Worm Gear Box | 1 |
| 84 | 6292677 | Hex Socket Cap Screw | M6 x 1.0P x 50L 3 |
| 85 | 6292676 | Worm | 1 |
| 86 | 6292681 | Key | 4 x 4 x 10 1 |
| 87 | 6292679 | Bearing | 6201Z 1 |
| 88 | 6292680 | Retaining Ring | RTW-32 1 |
| 89 | 6292713 | Collar | 1 |
| 90 | 6292683 | Washer | 1/2 1 |
| 91 | 6292813 | Hex Socket Cap Screw | M6 x 1.0P x 10L 1 |
| 92 | 6292821 | Hex Socket Cap Screw | M5 x 0.8P x 10L 3 |
| 93 | 6292815 | Hex Head Bolt | M6 x 1.0P x 16L 5 |
| 94 | 209-1094 | Sponge | 2 |
| 95 | 209-1095 | Pulley Guard | 1 |
| 96 | 209-1096 | Pulley Cover | 1 |
| 97 | 209-1097 | Strain Relief, Momentary Switch Cord | 1 |
| 98 | TS-1540031 | Hex Nut | M5 2 |
| 99 | TS-1550031 | Flat Washer | M5 4 |
| 100 | 209-1100 | Switch Box | 1 |
| 101 | 209-1101 | Switch, Off | 1 |
| 102 | 209-1102 | Switch, On | 1 |
| 103 | 209-1103 | Switch Plate | 1 |
| 104 | TS-1481041 | Hex Cap Screw | M5 x 0.8P x 16L 2 |
| 105 | 209-1105 | Cord | 1 |
| 106 | 6012192 | Warning Label | 1 |
| 107 | 6292820 | Label | 1 |
| 108 | 6292819 | Label, Lubrication | 1 |
| 109 | 1791275 | Helical Cutterhead ** | 1 |
| 110 | 1791212 | Knife Insert (set of 10) ** | total 100 |
| 111 | 15HH-2102 | Knife Insert Screw ** | T25P, #10-32 x1/2 100 |
| 112 | 209HH-1112 | Bracket | 1 |
| 113 | TS-2361081 | Lock Washer | M8 1 |
| 114 | TS-1490051 | Hex Cap Screw | M8 x 1.25P x 30 1 |
| 115 | 6292816 | Feed Rate Label (not shown) | 1 |

** Index Nos. 109, 110 and 111 are used only on the Model 209HH helical cutterhead.

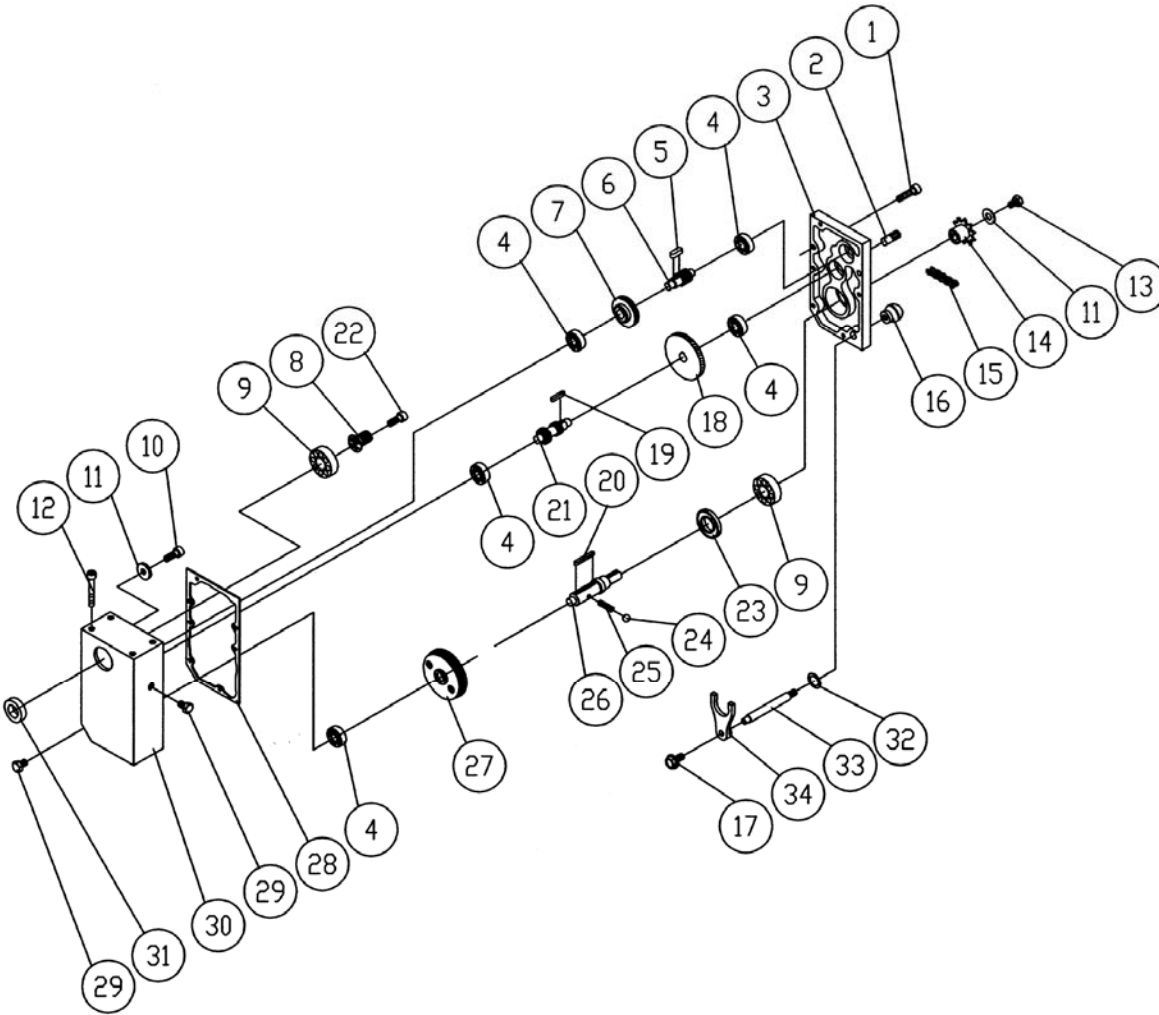
Base Assembly



Parts List: Base Assembly

| Index No. | Part No. | Description | Size | Qty |
|-----------|----------|------------------------|------------------|-----|
| 1 | 6292649 | Ring, Retaining | STW-12 | 1 |
| 2 | 6292742 | Gear | 24T | 1 |
| 3 | 6292740 | Retaining Ring | RTW-38 | 1 |
| 4 | 6292739 | Bushing | | 1 |
| 5 | 6292738 | Nut | | 4 |
| 6 | 6292741 | Key | 4 x 4 x 10 | 1 |
| 7 | 6292737 | Lead Screw | | 1 |
| 8 | 6292758 | Expansion Bend | | 8 |
| 9 | 209-309 | Machined Screw | M5 x 2.12P x 10L | 30 |
| 10 | 6292756 | Pipe Band | | 16 |
| 11 | 6292735 | Column | | 1 |
| 12 | 6292755 | Retaining Ring, ETW-19 | | 4 |
| 13 | 6292754 | Crane Post | | 4 |
| 14 | 6285855 | Bearing | 6202ZZ | 4 |
| 15 | 6292744 | Retaining Ring, RTW-35 | | 4 |
| 16 | 6292746 | Sprocket | 10T | 4 |
| 17 | 209-317 | Flat Washer | 10 x 19 x 1.5T | 4 |
| 18 | 6292627 | Hex Nut | M10 x 1.25P | 4 |
| 19 | 6292747 | Flat Washer | 8.2 x 22 x 3T | 2 |
| 20 | 6292748 | Hex Head Bolt | M8 x 1.25P x 25L | 2 |
| 21 | 6292618 | Set Screw | M10 x 1.5P x 12 | 8 |
| 22 | 6292753 | Chain | #40 x 166P | 1 |
| 23 | 6292749 | Bracket | | 1 |
| 24 | 6292750 | Shaft | | 1 |
| 25 | 6292751 | Sprocket | 10T | 1 |
| 26 | 6292752 | Retaining Ring | STW-15 | 1 |
| 27 | 6292736 | Lead Screw | | 1 |
| 28 | 6292734 | Column | | 3 |
| 29 | 6292733 | Base | | 1 |
| 30 | 209-330 | Gasket | | 1 |
| 31 | 209-331 | Screw | M5 x 0.8P x 18L | 2 |

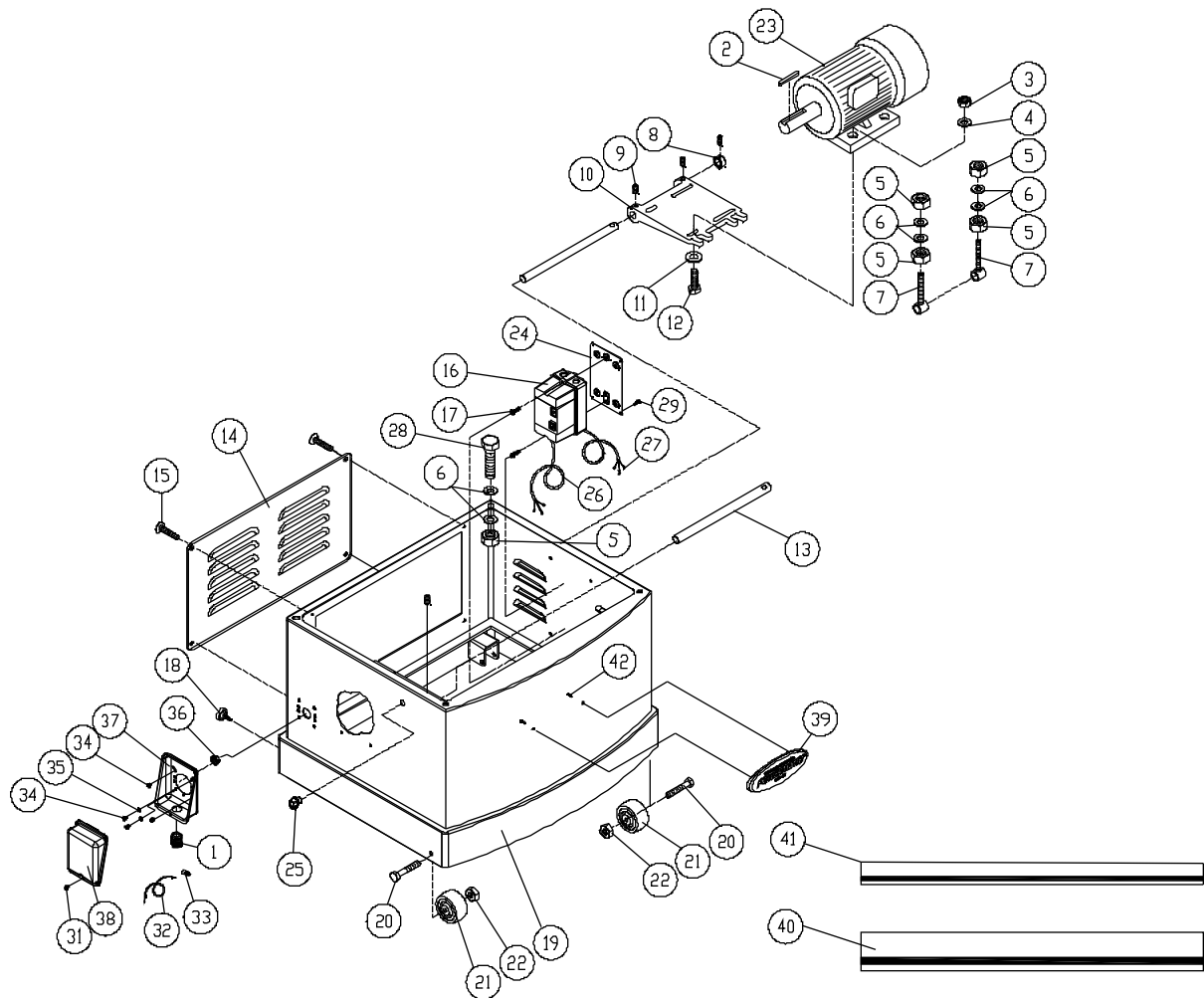
Gearbox Assembly



Parts List: Gearbox Assembly

| Index No. | Part No. | Description | Size | Qty |
|-----------|------------|---|------------------|-----|
| 1 | 6292788 | Socket Head Cap Screw | M6 x 1.0P x 25L | 5 |
| 2 | 6292785 | Pin | 8 x20 | 2 |
| 3 | 6292787 | Cover | | 1 |
| 4 | 6292765 | Bearing | 6201 | 4 |
| 5 | 6292768 | Key | 5 x 5 x12 | 1 |
| 6 | 6292767 | Shaft | 18T | 1 |
| 7 | 6292766 | Gear | 47T | 1 |
| 8 | 6292762 | Gear | 16T | 1 |
| 9 | BB-6204ZZ | Bearing | 6204ZZ | 2 |
| 10 | TS-1503041 | Socket Head Cap Screw | M6 x 1.0P x 16L | 1 |
| 11 | 6292764 | Flat Washer | | 1 |
| 12 | 6292790 | Hex Socket Cap Screw | M8 x 1.25P x 50L | 4 |
| 13 | TS-1482031 | Hex Head Bolt | M6 x 1.0P x 16L | 1 |
| 14 | 6292779 | Sprocket | 12T | 1 |
| | 6292791 | Sprocket | 18T | 1 |
| 15 | 6292780 | Chain | 06B x 50P | 1 |
| | 209HH-415 | Chain | 06B x 53P | 1 |
| | 6292822 | Low Speed Gear Kit (includes #14-6292779 and #15-6292780) | | |
| 16 | 6292784 | Knob | | 1 |
| 17 | 6292654 | Hex Head Bolt | M6 x 1.0P x 12L | 1 |
| 18 | 6292769 | Gear | 71T | 1 |
| 19 | 6292770 | Key | 5 x 5 x 10 | 1 |
| 20 | 6292774 | Key | 6 x 6 x 40 | 1 |
| 21 | 6292771 | Shaft | 18T | 1 |
| 22 | 6292763 | Hex Socket Cap Screw | M6 x 1.0P x 20L | 1 |
| 23 | 6292778 | Oil Seal | SC24 x 47 x 6 | 1 |
| 24 | 6292775 | Ball | Ø 6 | 1 |
| 25 | 6292776 | Spring | | 1 |
| 26 | 6292777 | Shaft | | 1 |
| 27 | 6292772 | Gear Assembly | | 1 |
| 28 | 6292786 | Piece Packing | | 1 |
| 29 | 6292789 | Oil Plug | PT1/4"-19 | 2 |
| 30 | 6292759 | Gear Box | | 1 |
| 31 | 6292760 | Oil Seal | | 1 |
| 32 | 6292783 | Oil Ring | | 1 |
| 33 | 6292782 | Handle | | 1 |
| 34 | 6292781 | Clutch | | 1 |

Stand Assembly

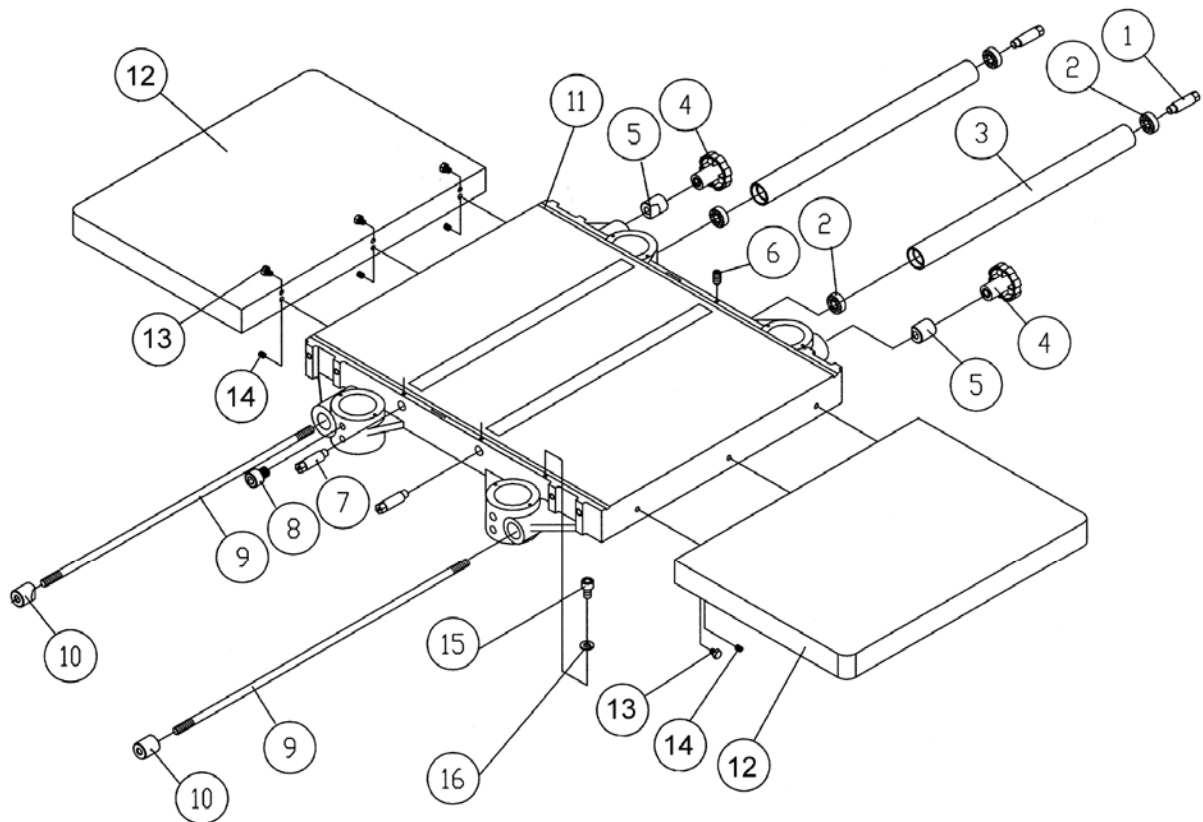


Parts List: Stand Assembly

| Index No. | Part No. | Description | Size | Qty |
|-----------|-----------------|-------------------------------------|-----------------------|-----|
| 1..... | 6292807..... | Strain Relief | | 1 |
| 2..... | 6292804..... | Key..... | | 1 |
| 3..... | 6292802..... | Hex Nut..... | M8 x 1.25P..... | 4 |
| 4..... | TS-1550061..... | Flat Washer..... | M8..... | 4 |
| 5..... | 6292651..... | Hex Nut..... | M12 x 1.75P..... | 8 |
| 6..... | 6292683..... | Washer..... | 1/2..... | 12 |
| 7..... | 6292799..... | Adjusting Bolt..... | | 2 |
| 8..... | 6292798..... | Collar..... | | 1 |
| 9..... | 6292711..... | Set Screw..... | M8 x 1.25P x 8L..... | 5 |
| 10..... | 6292797..... | Motor Mount (model 209 only)..... | | 1 |
| | 209HH-5010..... | Motor Mount (model 209HH only)..... | | 1 |
| 11..... | TS-1550061..... | Washer..... | 8.5 x 23 x 2T..... | 4 |
| 12..... | TS-1490071..... | Hex Head Bolt..... | M8 x 1.25P x 40L..... | 4 |
| 13..... | 6292796..... | Bar..... | | 2 |
| 14..... | 6292794..... | Cover..... | | 1 |
| 15..... | 6292795..... | Machine Screw..... | M6 x 1.0P x 20..... | 4 |

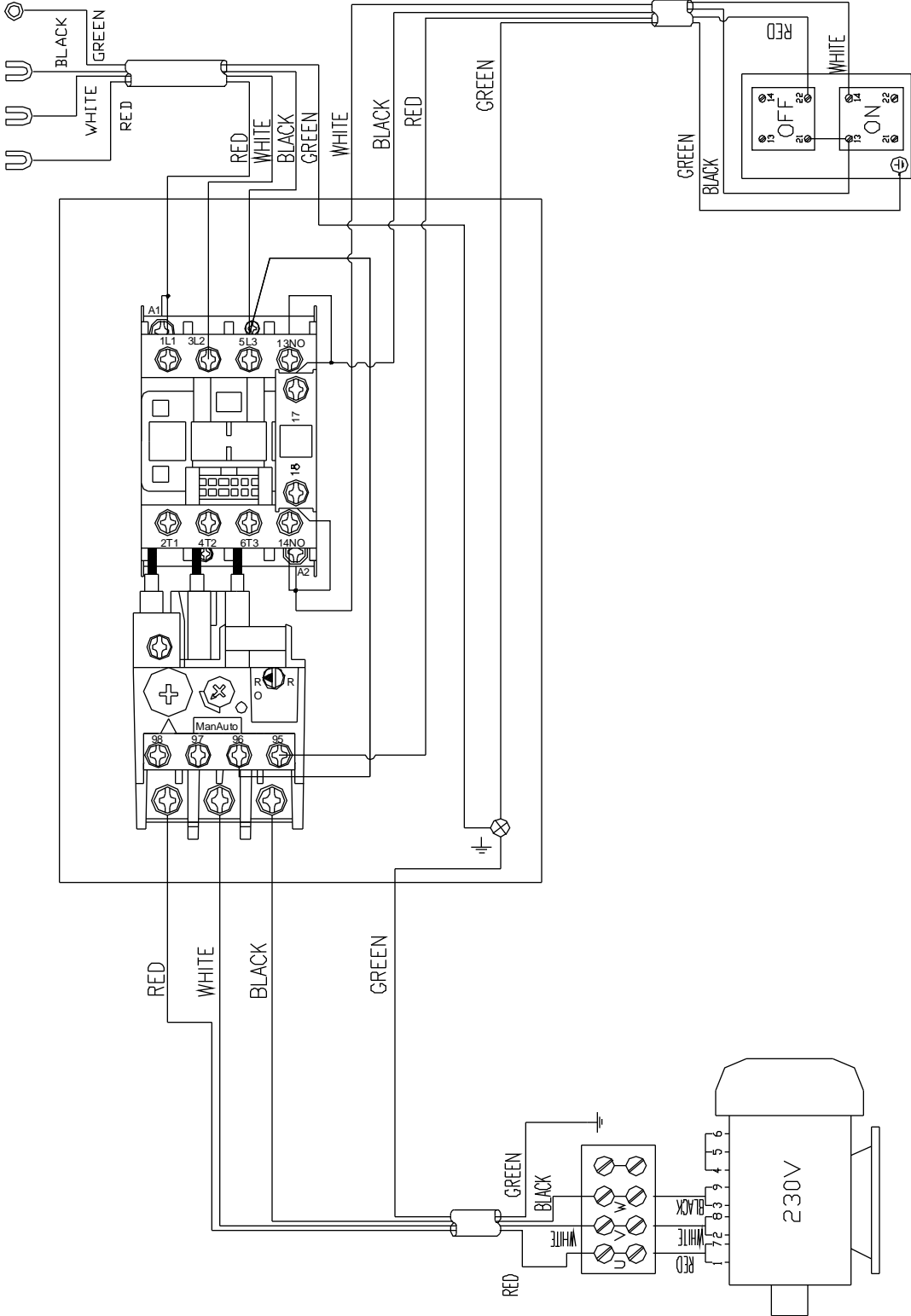
| | | | | |
|----|--------------|--|--------------------|---------------------|
| 16 | 209-5016B | Magnetic Switch (model 209 only) | 5HP 1PH 230V | 1 |
| | 209-5016BC | Contactora (not shown) | | 1 |
| | 209-5016BO | Overload (model 209 only, not shown) | | 1 |
| | 209-5016C | Magnetic Switch (model 209HH only) | 5HP 1PH 230V | 1 |
| | 209-5016BC | Contactora (not shown) | | 1 |
| | 209-5016CO | Overload (model 209HH only, not shown) | | 1 |
| | 209-5016D | Magnetic Switch | 5HP 3PH 230V | 1 |
| | 209-5016DC | Contactora (not shown) | | 1 |
| | 209-5016DO | Overload (not shown) | | 1 |
| | 209-5016E | Magnetic Switch | 5HP 3PH 460V | 1 |
| | 209-5016EC | Contactora (not shown) | | 1 |
| | 209-5016EO | Overload (not shown) | | 1 |
| 17 | 6296136 | Pan Head Machine Screw | #10-24NC x 1/2L | 2 |
| 18 | 209-5018 | Lock Knob | 5/16-18NC x 3/4 | 2 |
| 19 | 209-5019 | Stand (model 209 only) | | 1 |
| | 209HH-5019 | Stand (model 209HH only) | | 1 |
| 20 | TS-1490031 | Hex Cap Screw | M8 x 1.25P x 20 | 4 |
| 21 | 209-5021 | Wheel | | 4 |
| 22 | TS-1541031 | Nylon Hex Nut | M8 | 4 |
| 23 | 209-5023 | Motor (209) | 5HP, 1Ph, 230V | 1 |
| | 209-5023F | Motor Fan (not shown) | | 1 |
| | 209-5023FC | Motor Fan Cover (not shown) | | 1 |
| | 209-5023CS | Centrifugal Switch (not shown) | | 1 |
| | 209-5023SC | Start Capacitor (not shown) | | 1 |
| | 209-5023RC | Running Capacitor (not shown) | | 1 |
| | 209-5023A | Motor (209) | 5HP, 3Ph, 230/460V | 1 |
| | 209-5023F | Motor Fan (not shown) | | 1 |
| | 209-5023FC | Motor Fan Cover (not shown) | | 1 |
| | 209HH-5023 | Motor (209HH) | 5HP, 1Ph, 230V | 1 |
| | 209HH-5023F | Motor Fan (not shown) | | 1 |
| | 209HH-5023FC | Motor Fan Cover (not shown) | | 1 |
| | 209HH-5023CS | Centrifugal Switch (not shown) | | 1 |
| | 209HH-5023SC | Start Capacitor (not shown) | 800MFD 250VAC | 1 |
| | 209HH-5023RC | Running Capacitor (not shown) | 50µF 350VAC | 1 |
| | 209HH-5023A | Motor (209HH) | 5HP, 3Ph, 230/460V | 1 |
| | 209HH-5023F | Motor Fan (not shown) | | 1 |
| | 209HH-5023FC | Motor Fan Cover (not shown) | | 1 |
| 24 | 209-524 | Switch Plate | | 1 |
| 25 | 209-1097 | Strain Relief, Momentary Switch Cord | | 1 |
| 26 | 209-526 | Power Cord | | 1 |
| 27 | 209-527 | Cord, Motor to Switch | | 1 |
| 28 | 6292805 | Hex Head Bolt | M12 x 1.75P x 60L | 4 |
| 29 | 6292757 | Machined Screw | M5 x 0.8P x 8L | 4 |
| 31 | TS-0810012 | Slotted Round Head Machine Screw | #10-24 x 1/4 | 1 |
| 32 | 209-5032 | Grounding Cord | | 1 |
| 33 | 209-5033 | Cord Connection | | 1 |
| 34 | 209-5034 | Screw | M5 x 0.8P x 6 | 4 |
| 35 | 209-5035 | Star Washer | M5 | 2 |
| 36 | 209-5036 | Strain Relief | | 1 |
| 37 | 209-5037 | Junction Box | | 1 |
| 38 | 209-5038 | Junction Box Cover | | 1 |
| 39 | PM2000-105 | Powermatic Name Plate | | 1 |
| 40 | PM2700-440 | Wide Stripe | | <i>sold per ft.</i> |
| 41 | PM2700-441 | Narrow Stripe | | <i>sold per ft.</i> |
| 42 | TS-0813022 | Pan Head Screw | 1/4-20 x 3/8 | 2 |

Parts List: Table Assembly



| Index No. | Part No. | Description | Size | Qty |
|-----------|------------------|-----------------------------|-----------------------|-----|
| 1..... | 6292724..... | Eccentric Shaft | | 4 |
| 2..... | 6292679..... | Bearing | .6201Z | 4 |
| 3..... | 6292722..... | Roll | | 2 |
| 4..... | 6292728..... | Knob..... | | 2 |
| 5..... | 6292727..... | Locksmith..... | | 2 |
| 6..... | TS-1523041 | Set Screw | M6 x 12L..... | 4 |
| 7..... | 6292724..... | Eccentric Shaft | | 4 |
| 8..... | 6292729..... | Socket Head Cap Screw | M8 x 1.25P x 20L..... | 8 |
| 9..... | 6292726..... | Locking Bolt | | 2 |
| 10..... | 6292725..... | Locking Bar | | 2 |
| 11..... | 209-2011..... | Table | | 1 |
| 12..... | 209-2012..... | Extension..... | | 2 |
| 13..... | TS-1490041 | Hex Cap Screw | M8 x 25L..... | 6 |
| 14..... | TS-1504041 | Socket Head Cap Screw | M8 x 20L..... | 6 |

Electrical Connections – 3 Phase, 230 Volt only



Electrical Connections – 3 Phase, 460 Volt only

