

POWERMATIC®

OWNER'S MANUAL Model COS18 Cut-Off Saw



Left-Hand model shown,
with 8' and 4' optional roller tables

WMH TOOL GROUP

Industrial Machinery Division
427 Sanford Road
LaVergne, TN 37086
Ph: 800-248-0144 • Fax: 800-274-6840
E-mail: powermatic@wmhtoolgroup.com
www.wmhtoolgroup.com

M-0460277 10/03 Rev. B
Copyright © WMH Tool Group

OPTIONAL ACCESSORIES - COS18 Cut-Off Saw

Part No.	Description
6827037	8' Roller Table
6827038	4' RollerTable
6080157	Blade, 18" 120T, 1" Bore
6080158	Premium Blade, 18", 120T, 1" Bore

PARTS LIST: Table & Motor Assembly (COS18 Cut-Off Saw)

Index No.	Part No.	Description	Size	Qty.
1	COS18-101L	Casting Table (Left Hand)		1
1	COS18-101R	Casting Table (Right Hand)		1
2	TS-1505051	Socket Head Cap Screw	M10x35	4
3	TS-2361101	Lock Washer	M10	4
4	COS18-104	Bracket		2
5	COS18-105	Pin	Φ6x30	2
6	BB-6204ZZ	Ball Bearing	6204ZZ	2
7	COS18-107	Spindle		2
8	COS18-108L	Spindle Frame (Left Hand)		1
8	COS18-108R	Spindle Frame (Right Hand)		1
9	TS-1523031	Socket Set Screw	M6x10	2
10	TS-2211451	Hex Cap Screw	M12x45	2
11	TS-2360121	Flat Washer	M12	2
	COS18-109L	Spindle Assembly (Left Hand) (Items 12 thru 17 & 19 thru 28)		1
	COS18-109R	Spindle Assembly (Right Hand) (Items 12 thru 17 & 19 thru 28)		1
12	COS18-112	Main Shaft Housing		1
13	COS18-113L	Main Shaft		1
13	COS18-113R	Main Shaft		1
14	BB-6206Z	Ball Bearing	6206Z	2
15	COS18-115L	Spacer (Left Hand)		1
15	COS18-115R	Spacer (Right Hand)		1
16	COS18-116L	Spacer (Left Hand)		1
16	COS18-116R	Spacer (Right Hand)		1
17	COS18-117	Spindle Collar		1
18	6080157	Saw Blade	Φ18"x25.4x120T	1
19	COS18-119	Spindle Collar		1
20	COS18-120L	Socket Head Cap Screw	M12x30 (L.H.)	1
20	TS-1506031	Socket Head Cap Screw	M12x30 (R.H.)	1
21	COS18-121	Key	7x7x50	1
22	COS18-122	Pulley		1
23	COS18-123	Adapter		1
24	TS-1503061	Socket Head Cap Screw	M6x25	3
25	COS18-125	Special Pin		1
26	COS18-126	Locker		1
27	COS18-127	Spring		1
28	COS18-128	Knob	W3/8"x30	1
29	TS-1492031	Hex Cap Screw	M12x35	2
30	COS18-130L	Bracket (Left Hand)		1
30	COS18-130R	Bracket (Right Hand)		1
31	TS-1503091	Socket Head Cap Screw	M6x40	2
32	TS-1550041	Flat Washer	M6	6
33	COS18-133	Fix Plate		1
34	TS-1540041	Hex Nut	M6x1P	6
35	COS18-135	Limited Switch Seat		1
36	TS-1503041	Socket Head Cap Screw	M6x16	2
39	COS18-139	Limit Switch		1
40	COS18-140	Tube Fittings (L type)	1/8"xΦ6	2
41	COS18-141	Silencer	1/8"	1
42	TS-2284252	Pan Head Machine Screw	M4x25	3

PARTS LIST: Table & Motor Assembly (COS18 Cut-Off Saw) continued

Index No.	Part No.	Description	Size	Qty.
43.....	TS-1540021	Hex Nut	M4x0.7P.....	3
44.....	TS-1491101	Hex Cap Screw.....	M10x60	4
45.....	TS-1550071	Flat Washer	M10	4
46.....	COS18-146L.....	Motor, 10HP, 3PH, 230/460V, 60Hz (LH) ...		1
46.....	COS18-146R	Motor, 10HP, 3PH, 230/460V, 60Hz, (RH)		1
47.....	TS-1540071	Hex Nut	M10x1.5P.....	8
48.....	COS18-148.....	Key	10x8x75	1
49.....	TS-1523031	Socket Set Screw.....	M6x10	1
50.....	COS18-150.....	Pulley		1
51.....	COS18-151.....	Special Flat Washer.....		1
52.....	COS18-152L.....	Socket Head Cap Screw	M10x30 (L.H).....	1
52.....	TS-1505041	Socket Head Cap Screw	M10x30 (R.H).....	1
53.....	COS18-153.....	Socket Head Cap Screw	M6x16	2
55.....	COS18-155.....	Fix Plate		1
56.....	COS18-156.....	V-Belt	3V-1310.....	3
57.....	TS-1506051	Socket Head Cap Screw	M12x40	4
58.....	TS-2361121	Lock Washer.....	M12	4

Table & Motor Assembly – Left Hand (COS18 Cut-Off Saw)

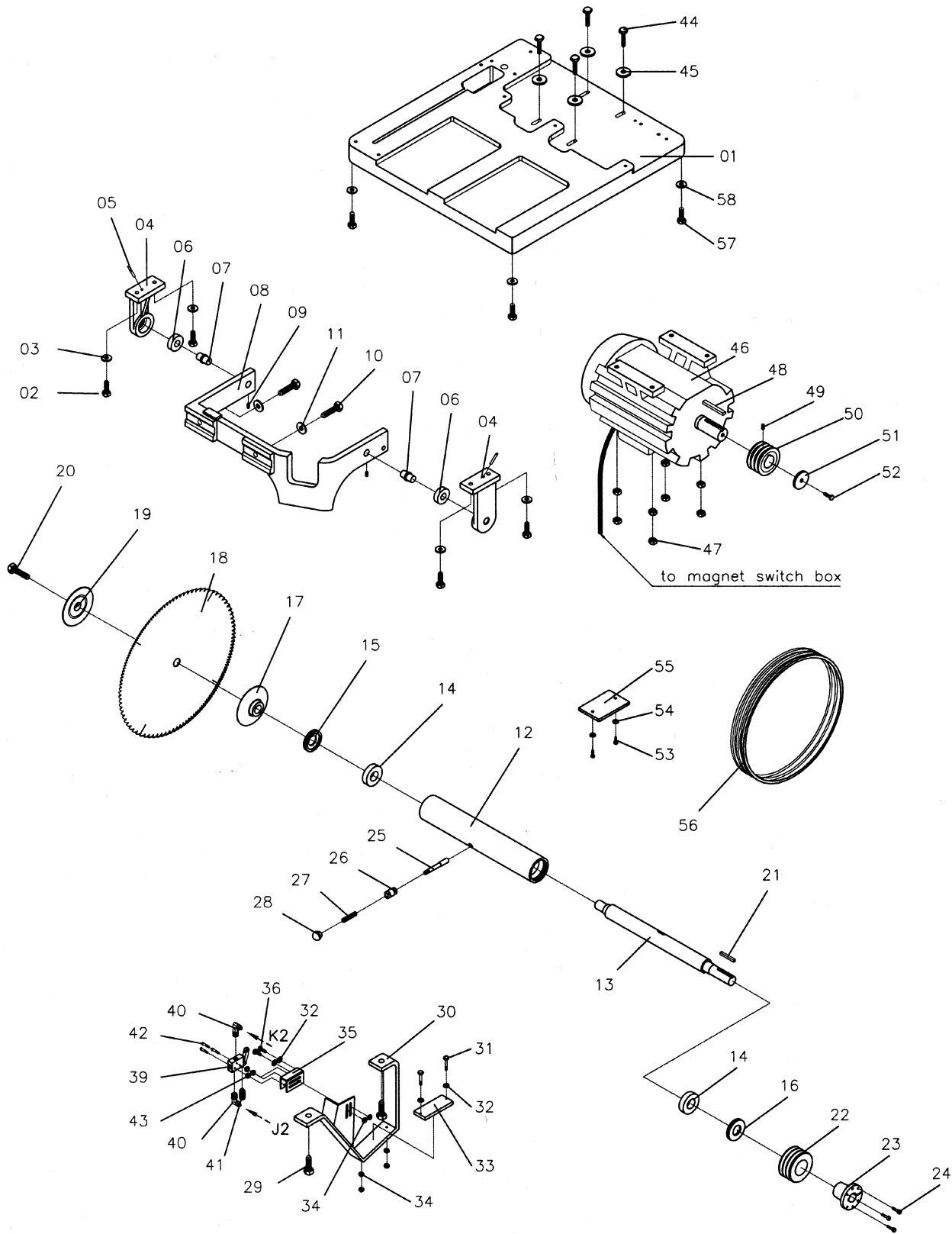
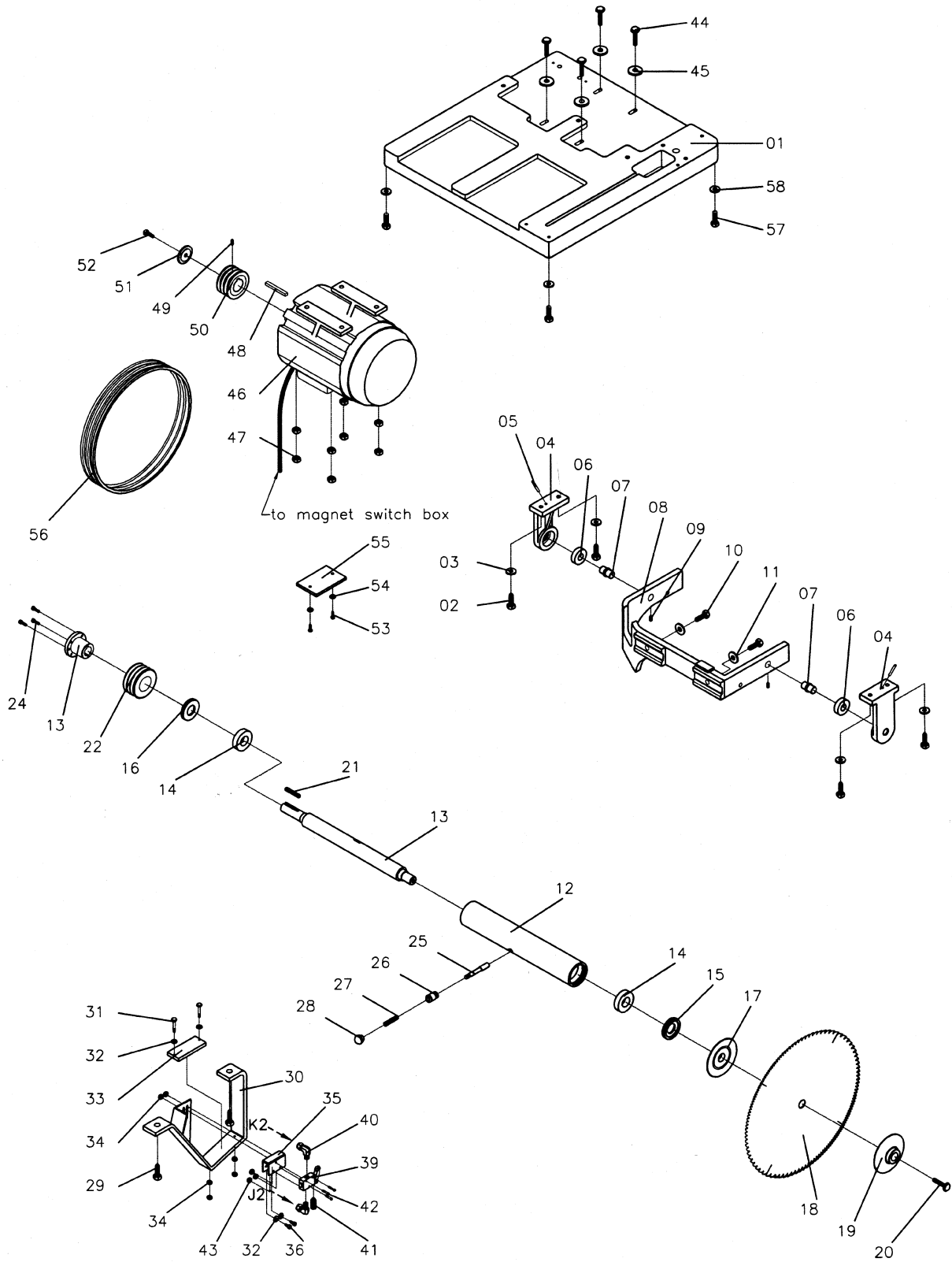


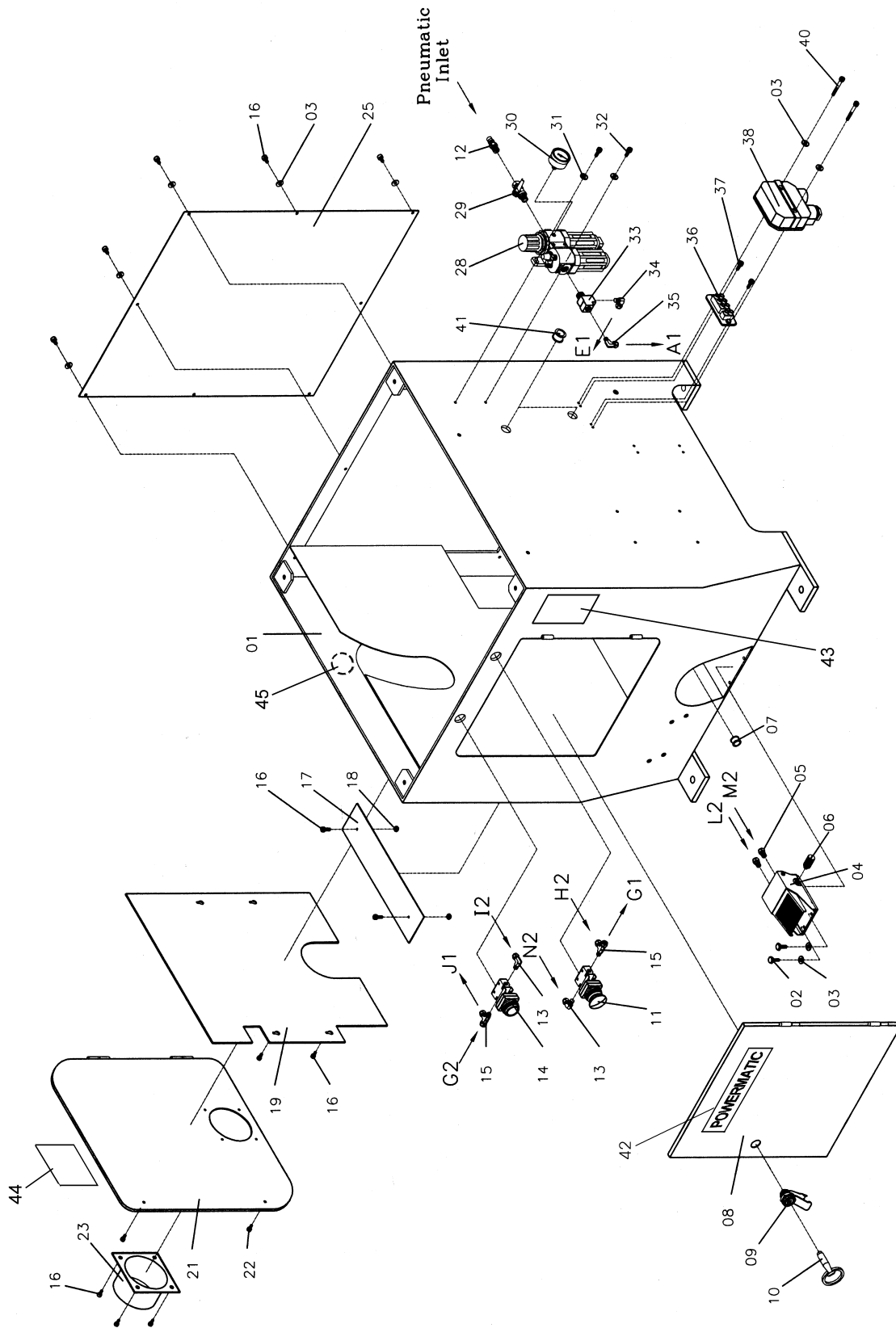
Table & Motor Assembly – Right Hand (COS18 Cut-Off Saw)



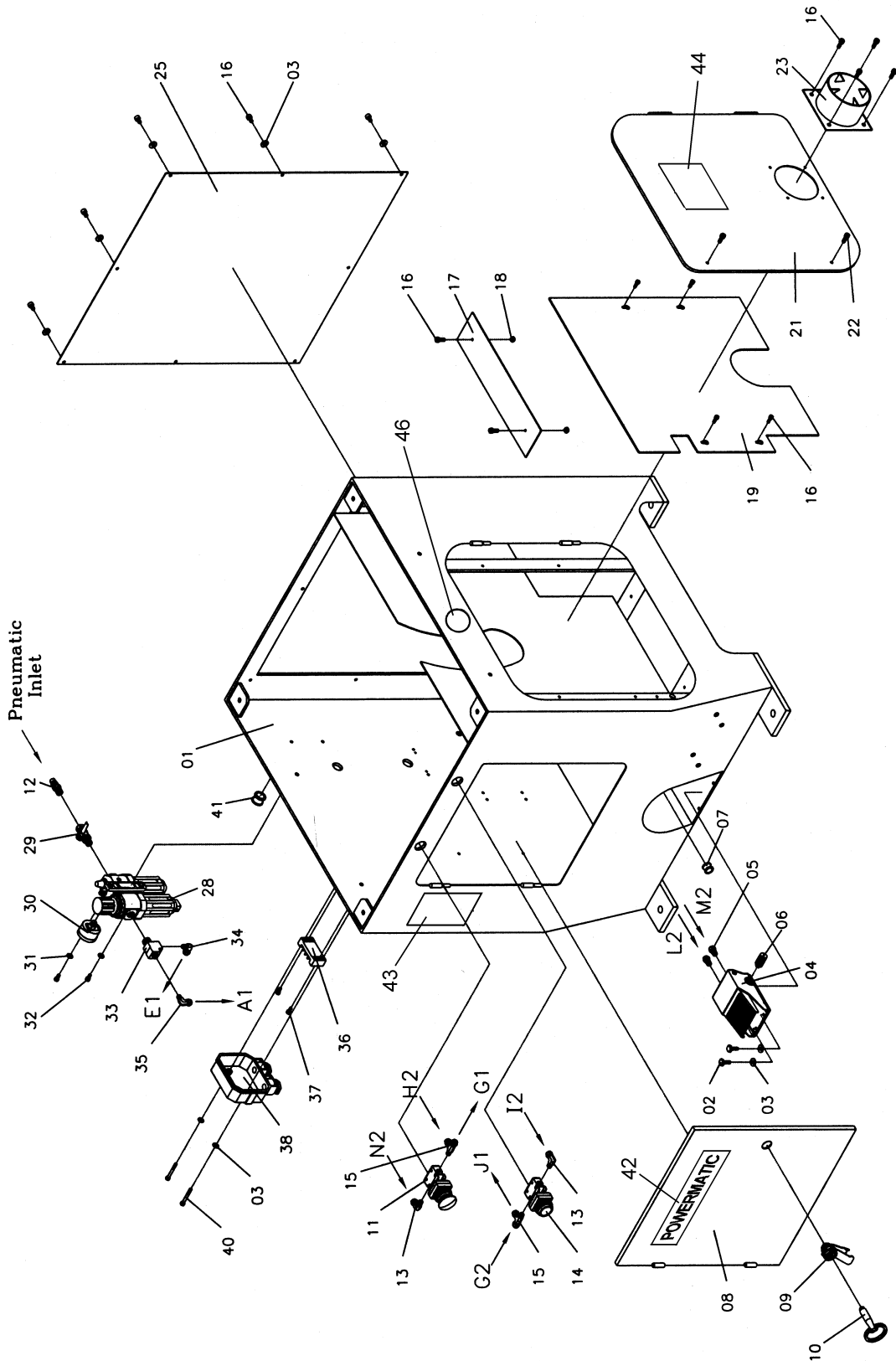
PARTS LIST: **Stand Assembly** (COS18 Cut-Off Saw)

Index No.	Part No.	Description	Size	Qty.
1	COS18-201L	Stand (Left Hand)		1
1	COS18-201R	Stand (Right Hand)		1
2	TS-1481041	Hex Cap Screw	M5x16	12
3	TS-1550031	Flat Washer	M5	2
4	COS18-204	Pedal Switch	230-8A	1
5	COS18-205	Tube Fittings (I type)	1/4"xφ6	2
6	COS18-206	Silencer	1/4"	2
7	COS18-207	Rubber Sleeve		1
8	COS18-208L	Front Door (Left Hand)		1
8	COS18-208R	Front Door (Right Hand)		1
9	COS18-209	Lock		1
10	COS18-210	Key		1
11	COS18-211	Emergency Button		1
12	COS18-212	Quick Fittings	1/4"	1
13	COS18-140	Tube Fittings (L type)	1/8"xφ6	2
14	COS18-214	Air Pressure Start Button		1
15	COS18-215	Tube Fittings (T type)	1/8"xφ6	2
16	TS-1502021	Socket Head Cap Screw	M5x10	18
17	COS18-217	Plate		1
18	TS-2310051	Hex Nut	M5x0.8P	2
19	COS18-219	Safety Cover, P.V.C		1
21	COS18-221L	Side Door (Left Hand)		1
21	COS18-221R	Side Door (Right Hand)		1
22	TS-1502061	Socket Head Cap Screw	M5x25	2
23	COS18-223	Exhaust Hood		1
25	COS18-225	Cover		1
28	COS18-228L	Air Filter (Oil Type) (Left Hand)	MACP300-10A	1
28	COS18-228R	Air Filter (Oil Type) (Right Hand)	MACP300-10A	1
29	COS18-229	Ball valve	1/4"	1
30	COS18-230	Pressure Gauge		1
31	TS-1550041	Flat Washer	M6	2
32	TS-1503041	Socket Head Cap Screw	M6x16	2
33	COS18-233	Connection Block	3/8"	1
34	COS18-234	Tube Fittings (L type)	3/8"xφ10	1
35	COS18-235	Tube Fittings (L type)	3/8"xφ6	1
36	COS18-236	Connection Board		1
37	TS-1532052	Pan Head Machine Screw	M4x15	2
38	COS18-238	Connection Box		1
40	TS-1502101	Socket Head Cap Screw	M5x45	2
41	COS18-241	Rubber Sleeve		2
42	3312341	Powermatic Logo Label		1
43	COS18-242	Warning Label		1
44	COS18-243	Warning Label		1
45	COS18-244	Rotation Blade L.H. Label		1
46	COS18-245	Rotation Blade R.H. Label		1

Stand Assembly – Left Hand (COS18 Cut-Off Saw)



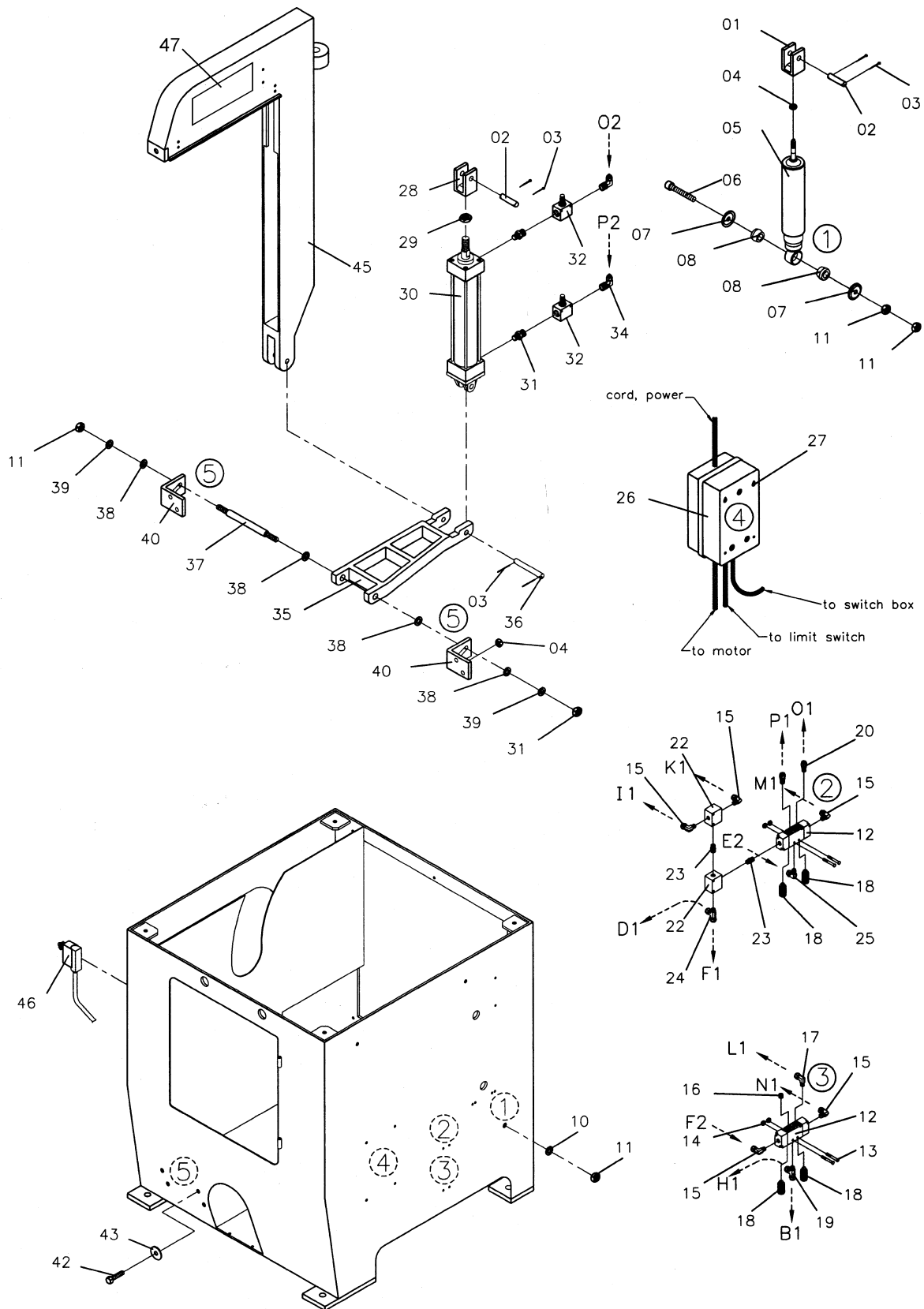
Stand Assembly – Right Hand (COS18 Cut-Off Saw)



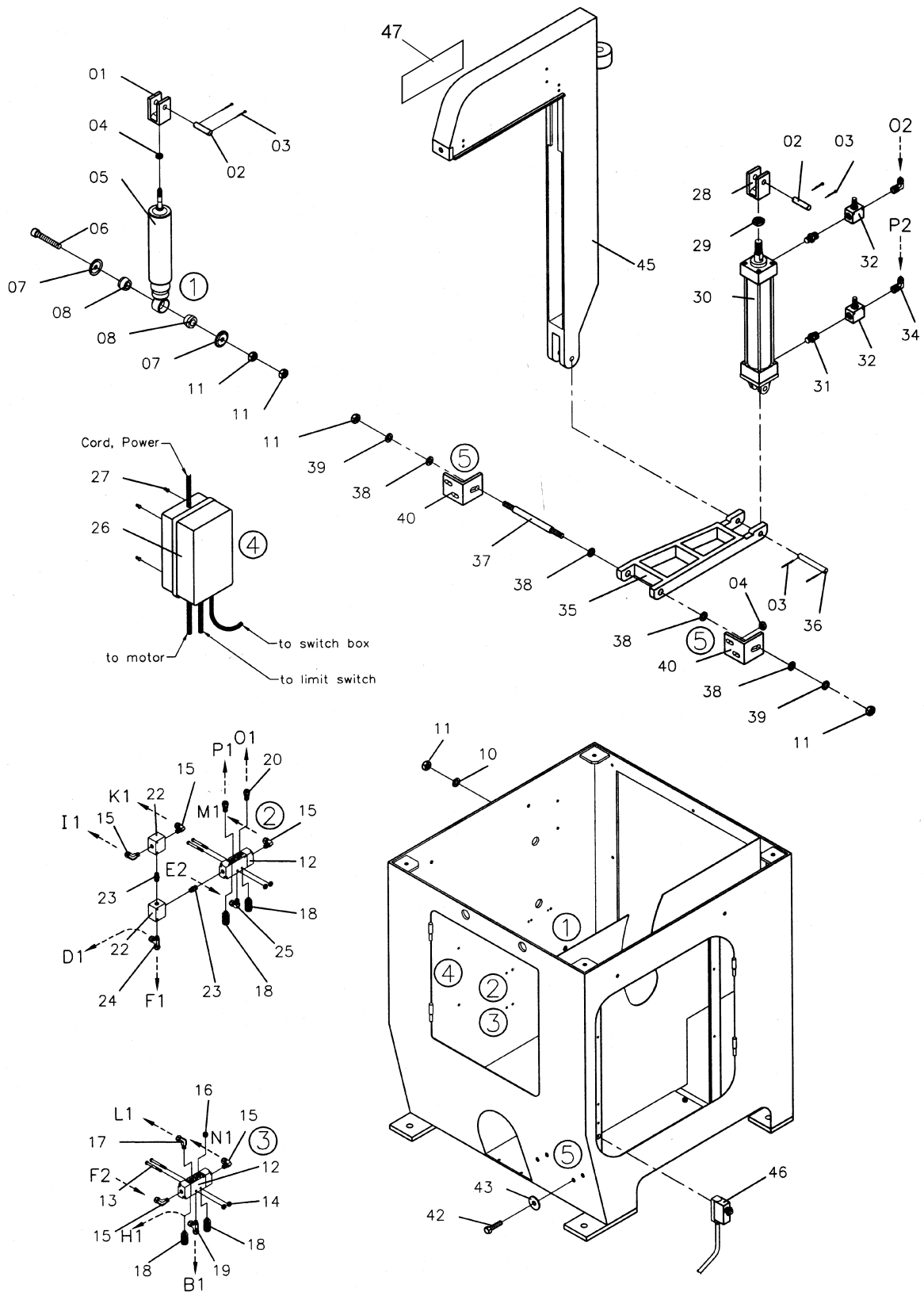
PARTS LIST: Air Control Assembly (COS18 Cut-Off Saw)

Index No.	Part No.	Description	Size	Qty.
1	COS18-301	Toggle Joint		1
2	COS18-302	Shaft		2
3	COS18-303	Cotter Pin	SSP-12	6
4	TS-1540071	Hex Nut	M10x1.5P	5
5	COS18-305	Shock Absorber	Tokico3243	1
6	TS-1506131	Socket Head Cap Screw	M12x80	1
7	COS18-307	Ring	M12	2
8	COS18-308	Nylon Ring	M12	2
10	TS-155108	Lock Washer	M12	1
11	TS-1540081	Hex Nut	M12x1.75P	5
12	COS18-312	Valve		2
13	TS-2284352	Pan Head Machine Screw	M4x35	4
14	TS-1540021	Hex Nut	M4x0.7P	4
15	COS18-140	Tube Fittings (L type)	1/8"xφ6	5
16	COS18-316	Plug	1/4"x10	1
17	COS18-317	Tube Fittings (L type)	1/4"xφ6	1
18	COS18-141	Silencer	1/8"	4
19	COS18-319	Tube Fittings (T type)	1/4"xφ6	1
20	COS18-320	Tube Fittings (I type)	1/4"xφ10	2
22	COS18-322	Connector Block	1/8"	2
23	COS18-323	Nipple	1/8"x1/8"	2
24	COS18-215	Tube Fittings (T type)	1/8"xφ6	1
25	COS18-325	Tube Fittings (L type)	1/4"xφ10	1
26	COS18-326	Switch Control Box	MS-P35	1
27	TS-1533032	Pan Head Machine Screw	M5x10	4
28	COS18-328	Toggle Joint		1
29	TS-2310162	Hex Nut	M16x1.5P	1
30	COS18-330	Cylinder	CB-50*230	1
31	COS18-331	Jointer	1/4"x3/8"	2
32	COS18-332	Air Regulator	3/8"	2
34	COS18-234	Tube Fittings (L type)	3/8"xφ10	2
35	COS18-335L	Swaying Arm (Left Hand)		1
35	COS18-335R	Swaying Arm (Right Hand)		1
36	COS18-336	Special Pin		1
37	COS18-337	Shaft		1
38	TS-2360121	Flat Washer	M12	4
39	TS-0720111	Lock Washer	1/2"	3
40	COS18-340L	Bracket (Left Hand)		2
40	COS18-340R	Bracket (Right Hand)		2
42	TS-1491031	Hex Cap Screw	M10x25	4
43	TS-1551071	Lock Washer	M10	8
45	COS18-345L	Clamp Arm (Left Hand)		1
45	COS18-345R	Clamp Arm (Right Hand)		1
46	COS18-346	Limit Switch		1
47	COS18-347	Danger Label		1

Air Control Assembly – Left Hand (COS18 Cut-Off Saw)



Air Control Assembly – Right Hand (COS18 Cut-Off Saw)



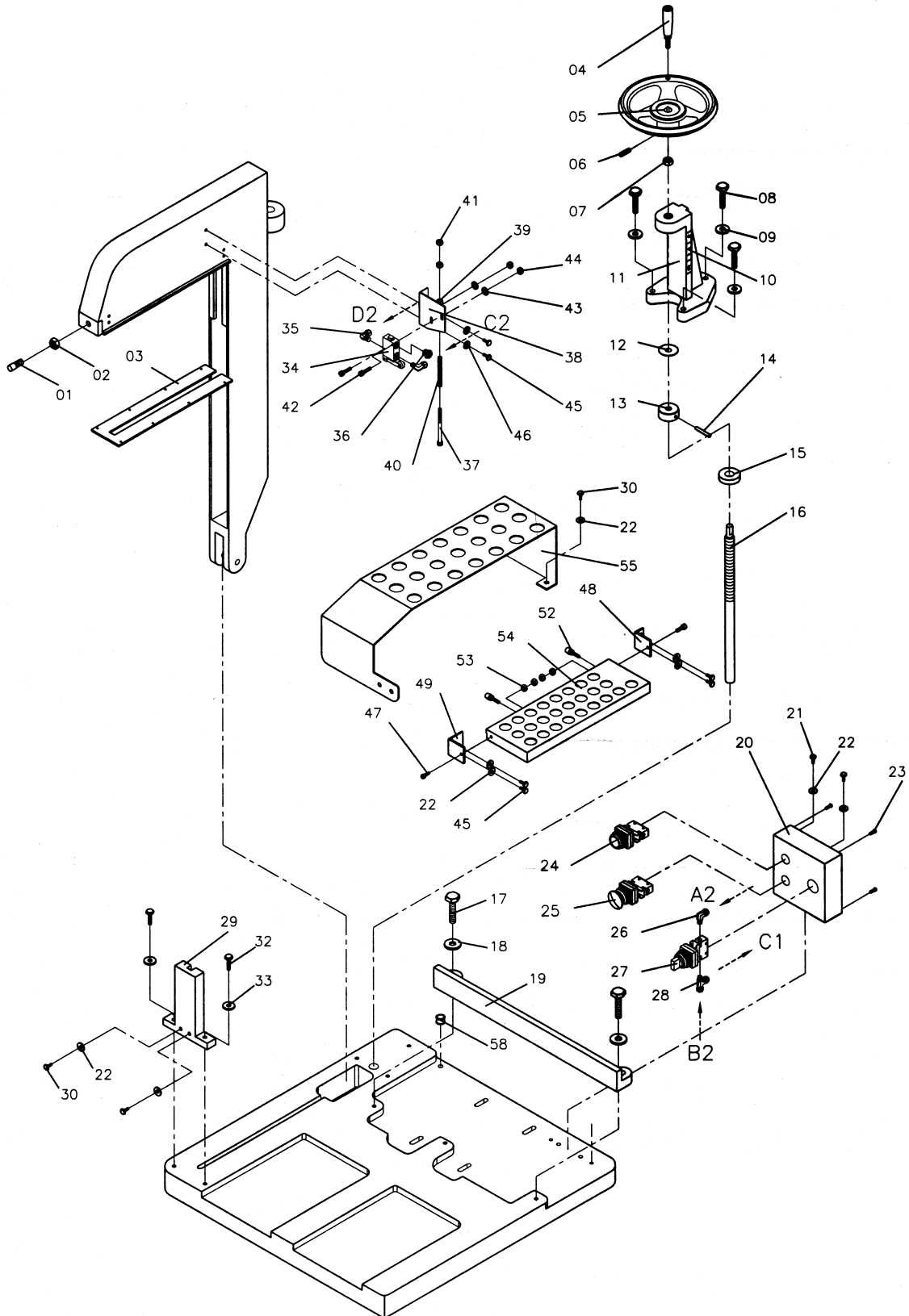
PARTS LIST: Safety Guard Assembly (COS18 Cut-Off Saw)

Index No.	Part No.	Description	Size	Qty.
1	COS18-401	Special Fixed Pin, guider		1
2	TS-0561051	Hex Nut	1/2"-13	1
3	COS18-403	Rubber Cushion		1
4	COS18-404	Knob		1
5	COS18-405	Handwheel		1
6	TS-1524021	Socket Set Screw	M8x10	1
7	TS-0561081	Hex Nut	3/4"-10	1
8	TS-1491061	Hex Cap Screw	M10x40	3
9	TS-2361101	Lock Washer	M10	3
10	COS18-410	Depth scale		1
11	COS18-411	Support Seat		1
12	COS18-412	Donut, Red sign		1
13	COS18-413	Stopper		1
14	COS18-414	Pin	Φ6x40	1
15	COS18-415	Ring		1
16	COS18-416	Lead Screw		1
17	TS-1492041	Hex Cap Screw	M12x40	2
18	TS-2360121	Flat Washer	M12	2
19	COS18-419	Fence		1
20	COS18-420	Control Box		1
21	TS-1482011	Hex Cap Screw	M6x10	2
22	TS-1550041	Flat Washer	M6	9
23	TS-1533042	Pan Head Machine Screw	M5x12	4
24	COS18-424	Power On Button		1
25	COS18-425	Power Off Button		1
26	COS18-140	Tube Fittings (L type)	1/8"xφ6	1
27	COS18-427	On/Off Air Control Switch	VM104	1
28	COS18-215	Tube Fittings (T type)	1/8"xφ6	1
29	COS18-429	Guider Seat		1
30	TS-1482031	Hex Cap Screw	M6x16	3
32	TS-1490051	Hex Cap Screw	M8x30	2
33	TS-2361081	Lock Washer	M8	2
34	COS18-434	Limit Switch		1
35	COS18-317	Tube Fittings (L type)	1/4"xφ6	2
36	COS18-436	Silencer	1/4"	1
37	TS-2235991	Socket Head Cap Screw	M5x100	1
38	COS18-438L	Bracket (Left Hand)		1
38	COS18-438R	Bracket (Right Hand)		1
39	COS18-439	Spring Housing		1
40	COS18-440	Spring		1
41	TS-1540031	Hex Nut	M5x0.8P	2
42	TS-1501091	Socket Head Cap Screw	M4x35	2
43	TS-1550021	Flat Washer	M4	2
44	TS-1540021	Hex Nut	M4x0.7P	2
45	TS-1481021	Hex Cap Screw	M5x10	6
46	TS-1550031	Flat Washer	M5	2
47	TS-1503041	Socket Head Cap Screw	M6x16	2
48	COS18-448	Bracket		1
49	COS18-449	Bracket		1
52	COS18-452	Special Rubber Head Screw	W1/4"x25	2

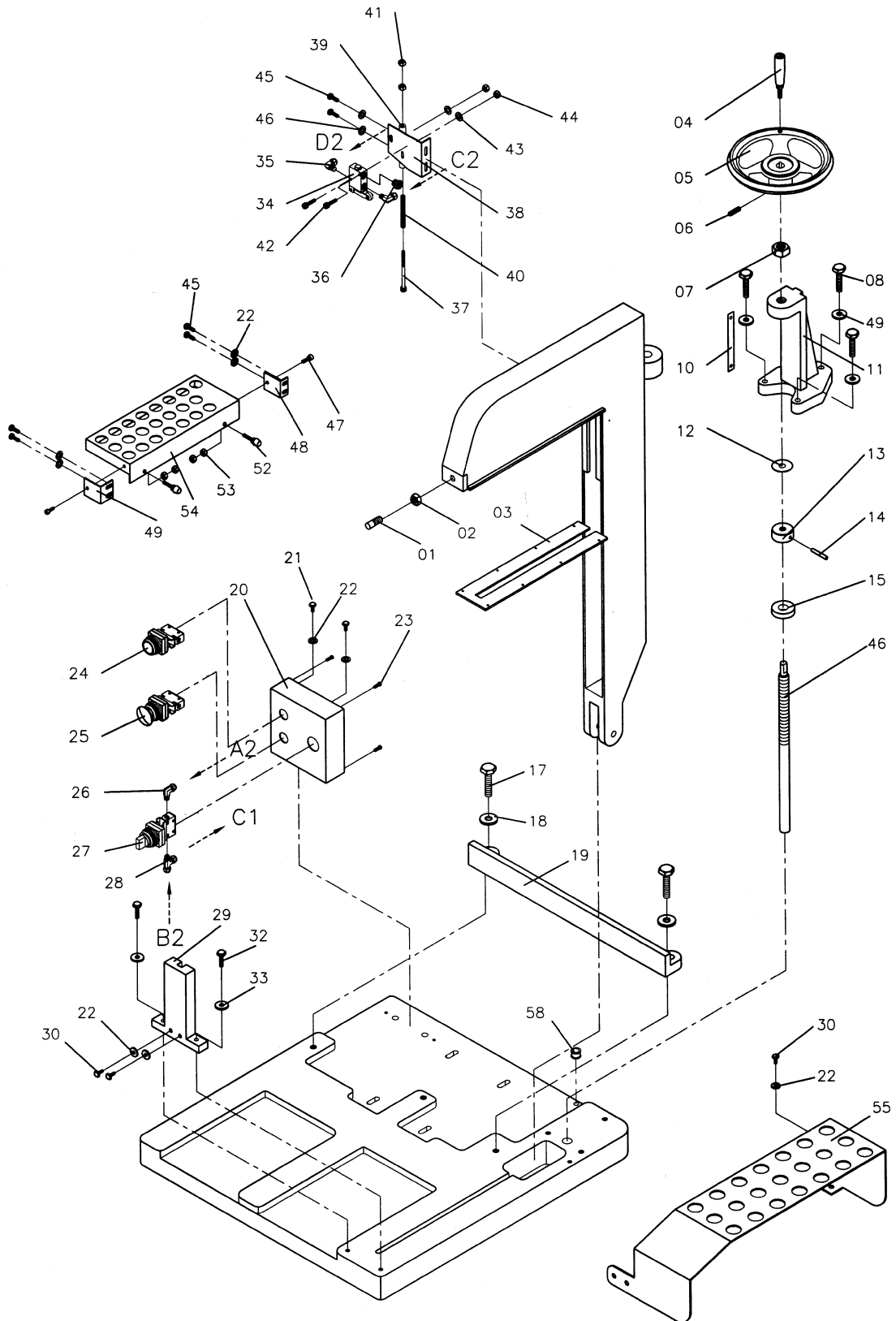
PARTS LIST: Safety Guard Assembly (COS18 Cut-Off Saw) continued

Index No.	Part No.	Description	Size	Qty.
53.....	TS-1540041	Hex Nut.....	M6x1P.....	4
54.....	COS18-454L	Pneumatic Guard (Left Hand).....		1
54.....	COS18-454R	Pneumatic Guard (Right Hand)		1
55.....	COS18-455L	Safety Cover (Left Hand)		1
55.....	COS18-455R	Safety Cover (Right Hand)		1
58.....	COS18-207	Rubber Sleeve		1

Safety Guard Assembly – Left Hand (COS18 Cut-Off Saw)



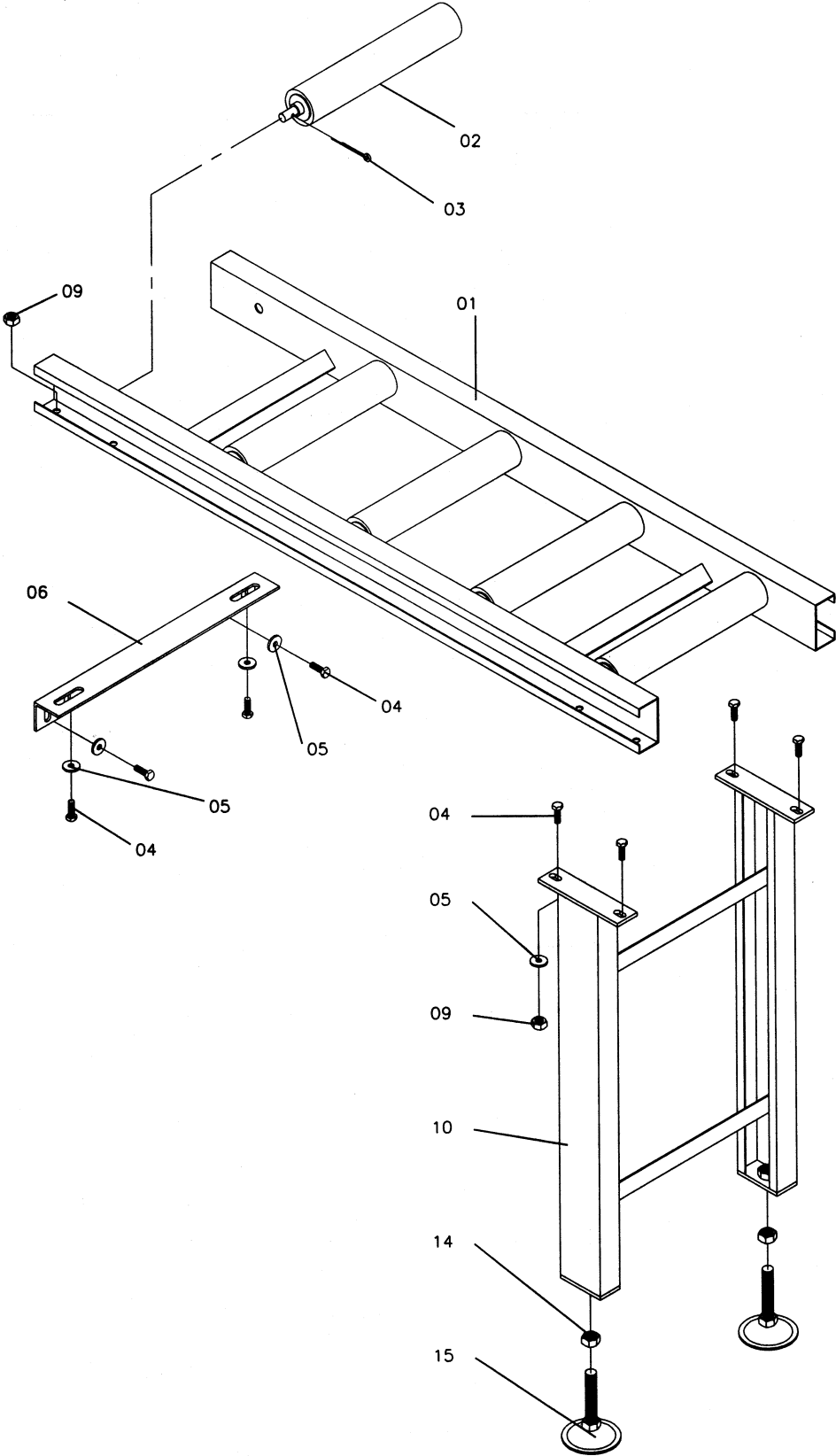
Safety Guard Assembly – Right Hand (COS18 Cut-Off Saw)



PARTS LIST: 4' Roller Table Assembly (COS18 Cut-Off Saw) #6827038
 Optional Accessory

Index No.	Part No.	Description	Size	Qty.
1	COS18-501	Roller Table	4'	1
2	COS18-502	Roller		5
3	COS18-503	Split Pin		10
4	TS-1490021	Hex Cap Screw	M8x16	8
5	TS-1550051	Flat Washer	M8	8
6	COS18-506	Bracket		1
9	TS-1540061	Hex Nut	M8x1.25P	6
10	COS18-510	Leg		1
14	TS-0561071	Hex Nut	5/8"-11	2
15	COS18-515	Adjusting Foot	5/8"	2

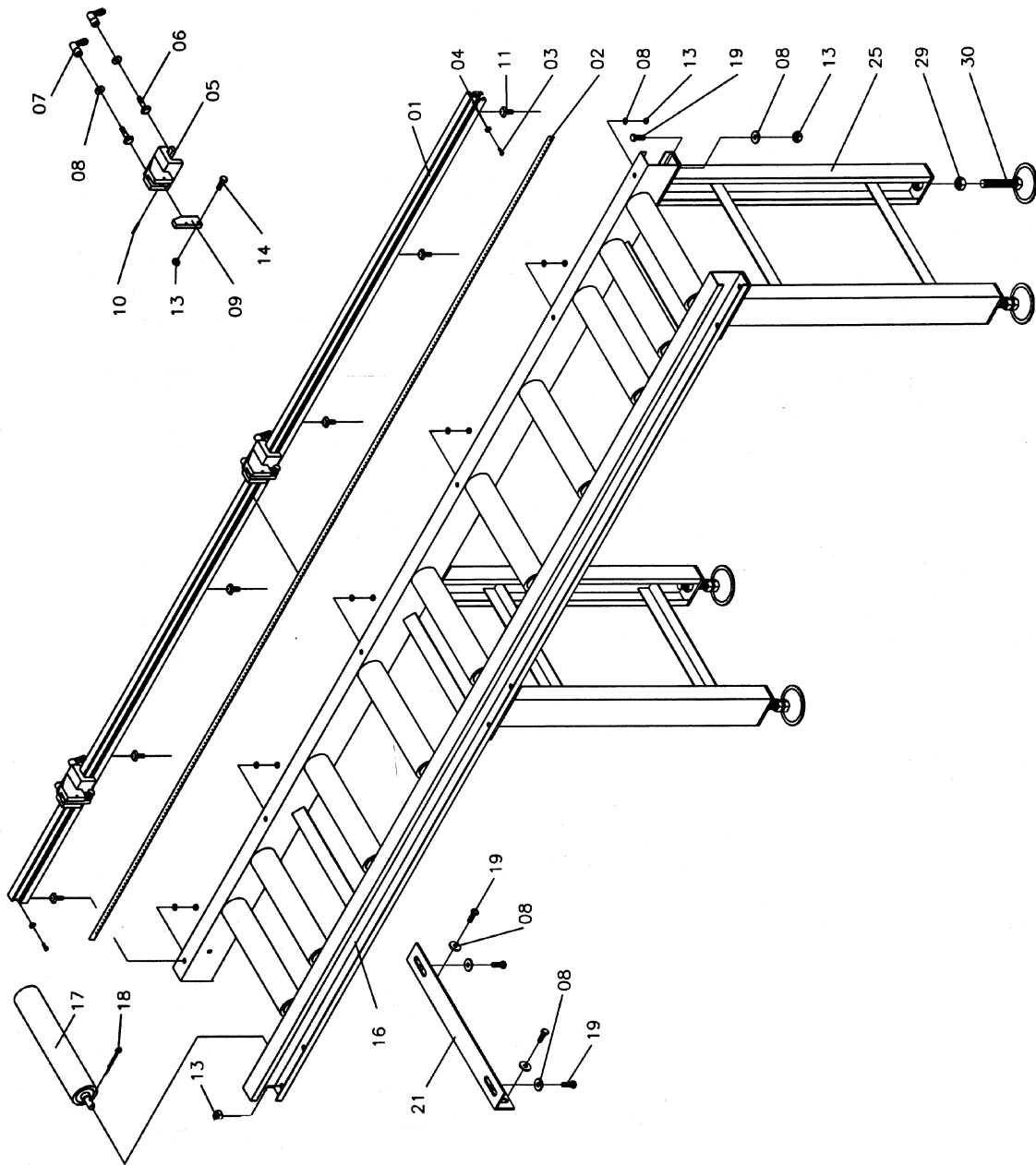
4' Roller Table Assembly (COS18 Cut-Off Saw) #6827038 Optional Accessory



PARTS LIST: 8' Roller Table Assembly (COS18 Cut-Off Saw) #6827037
Optional Accessory

Index No.	Part No.	Description	Size	Qty.
1	COS18-601	Guide Rail	8'	1
2	COS18-602	Scale	2400mm	1
3	COS18-603	Pan Head Machine Screw	M5x5	2
4	TS-1550031	Flat Washer	M5	2
5	COS18-605	Guide Body		3
6	COS18-606	Square Head Bolt	M8x40	6
7	COS18-607	Lock Handle		6
8	TS-1550051	Flat Washer	M8	24
9	COS18-609	Guide Stopper		3
10	COS18-610	Spring Pin	Φ3x30	3
11	COS18-611	Square Head Bolt	M8x27	6
13	TS-1540061	Hex Nut	M8x1.25P	19
14	TS-1490041	Hex Cap Screw	M8x25	3
16	COS18-616	Roller Table	8'	1
17	COS18-502	Roller		11
18	COS18-503	Split Pin		22
19	TS-1490021	Hex Cap Screw	M8x16	12
21	COS18-506	Bracket		1
25	COS18-510	Leg		2
29	TS-0561071	Hex Nut	5/8"-11	4
30	COS18-515	Adjusting Foot	5/8"	4

8' Roller Table Assembly (COS18 Cut-Off Saw) #6827037 Optional Accessory

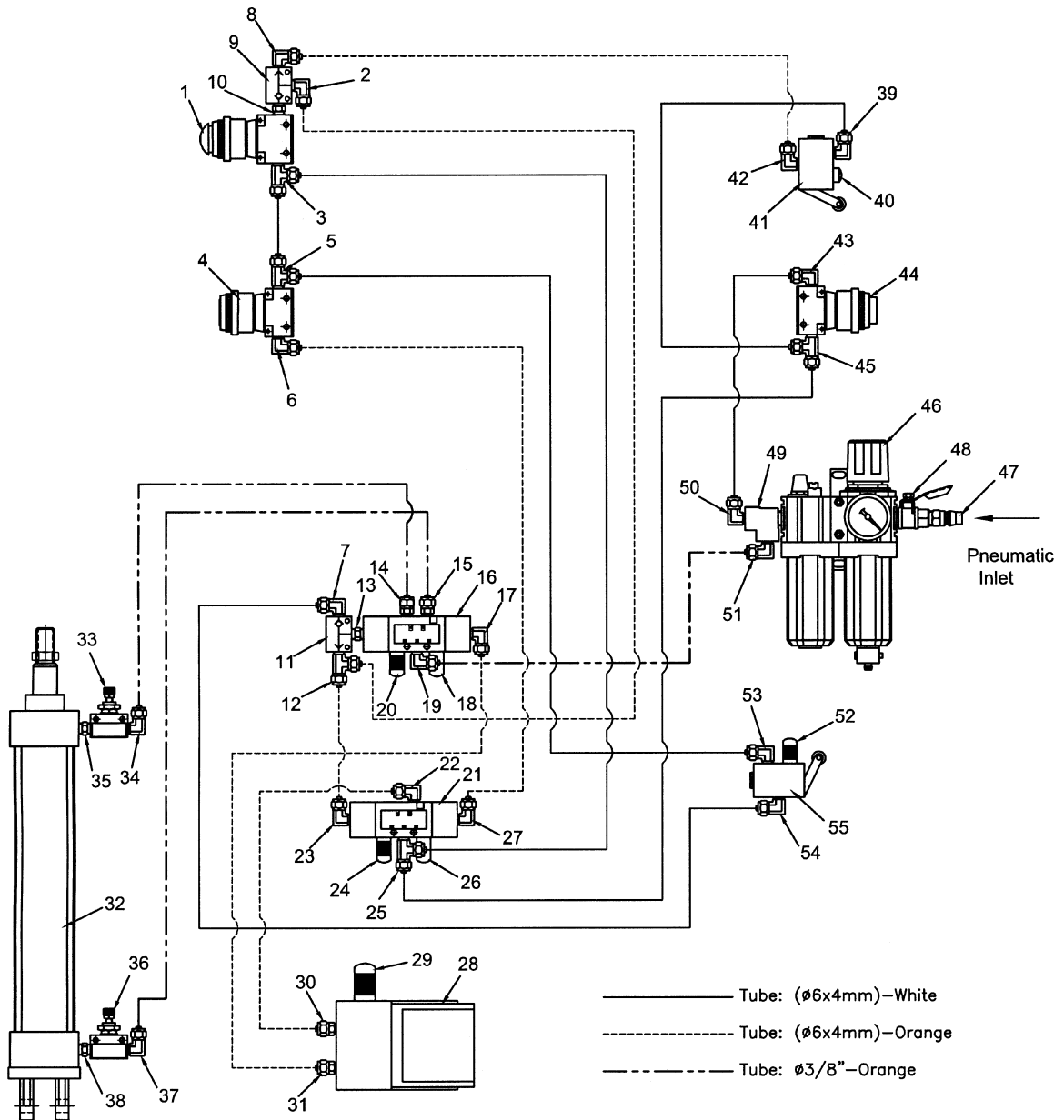


PARTS LIST: Pneumatic Diagram (COS18 Cut-Off Saw)

Index No.	Part No.	Description	Size
1	COS18-211	Emergency Button	
2	COS18-140	Tube Fittings (L type)	1/8"xφ6
3	COS18-215	Tube Fittings (T type)	1/8"xφ6
4	COS18-214	Air Pressure Start Button	
5	COS18-215	Tube Fittings (T type)	1/8"xφ6
6	COS18-140	Tube Fittings (L type)	1/8"xφ6
7	COS18-140	Tube Fittings (L type)	1/8"xφ6
8	COS18-140	Tube Fittings (L type)	1/8"xφ6
9	COS18-322	Jointer Block	1/8"
10	COS18-323	Jointer	1/8"x1/8"
11	COS18-322	Jointer Block	1/8"
12	COS18-215	Tube Fittings (T type)	1/8"xφ6
13	COS18-323	Jointer	1/8"x1/8"
14	COS18-320	Tube Fittings (I type)	1/4"xφ10
15	COS18-320	Tube Fittings (I type)	1/4"xφ10
16	COS18-312	Connector	
17	COS18-140	Tube Fittings (L type)	1/8"xφ6
18	COS18-141	Silencer	1/8"
19	COS18-325	Tube Fittings (L type)	1/4"xφ10
20	COS18-141	Silencer	1/8"
21	COS18-312	Connector	
22	COS18-317	Tube Fittings (L type)	1/4"xφ6
23	COS18-140	Tube Fittings (L type)	1/8"xφ6
24	COS18-141	Silencer	1/8"
25	COS18-319	Tube Fittings (T type)	1/4"xφ6
26	COS18-141	Silencer	1/8"
27	COS18-140	Tube Fittings (L type)	1/8"xφ6
28	COS18-204	Pedal Switch	230-8A
29	COS18-206	Silencer	1/4"
30	COS18-205	Tube Fittings (I type)	1/4"xφ6
31	COS18-205	Tube Fittings (I type)	1/4"xφ6
32	COS18-330	Cylinder	CB-50*230
33	COS18-332	Air Regulator	3/8"
34	COS18-234	Tube Fittings (L type)	3/8"xφ10
35	COS18-331	Jointer	1/4"x3/8"
36	COS18-332	Air Regulator	3/8"
37	COS18-234	Tube Fittings (L type)	3/8"xφ10
38	COS18-331	Jointer	1/4"x3/8"
39	COS18-317	Tube Fittings (L type)	1/4"xφ6
40	COS18-436	Silencer	1/4"
41	COS18-434	Limit Switch	
42	COS18-317	Tube Fittings (L type)	1/4"xφ6
43	COS18-140	Tube Fittings (L type)	1/8"xφ6
44	COS18-427	On/Off Air Control Switch	
45	COS18-215	Tube Fittings (T type)	1/8"xφ6
46	COS18-228(R/L)	Air Filter (Oil Type)	MACP300-10A
47	COS18-212	Quick Fittings	1/4"
48	COS18-229	Ball valve	1/4"
49	COS18-233	Connection Block	3/8"

PARTS LIST: Pneumatic Diagram (COS18 Cut-Off Saw) continued

Index No.	Part No.	Description	Size
50	COS18-235	Tube Fittings (L type)	3/8"xφ6
51	COS18-234	Tube Fittings (L type)	3/8"xφ10
52	COS18-141	Silencer	1/8"
53	COS18-140	Tube Fittings (L type)	1/8"xφ6
54	COS18-140	Tube Fittings (L type)	1/8"xφ6
55	COS18-139	Limit Switch	



ELECTRICAL SCHEMATIC (COS18 Cut-Off Saw)

