

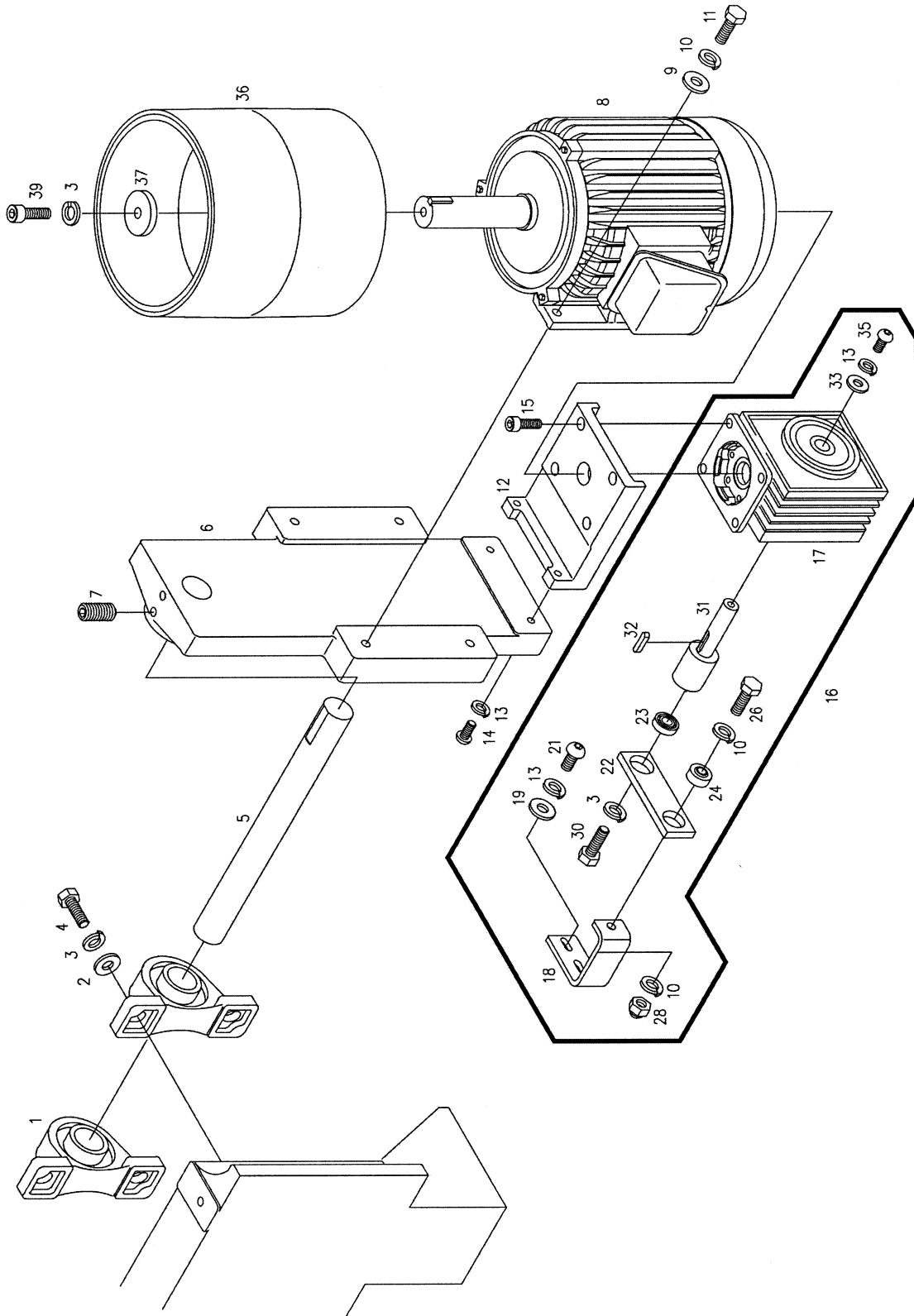
Parts List: Base Assembly

Index No.	Part No.	Description	Size	Qty
1	OES-001	Machine Base		1
2	OES-002	Magnetic Motor Starter	1Ph, 230V	1
	OES-093	Magnetic Motor Starter	3Ph, 230/460V	1
3	OES-003	Oscillating Unit Cover		1
4	TS-2246082	Socket Head Button Screw	M6 x 8	4
5	OES-004	Support Bracket		1
6	TS-1550041	Flat Washer	M6	15
7	TS-1551041	Lock Washer	M6	13
8	TS-2246162	Socket Head Button Screw	M6 x 16	13
9	OES-005	Mounting Foot		2
10	TS-1550071	Flat Washer	M10	8
11	TS-1551071	Lock Washer	M10	8
12	TS-1491041	Hex Cap Screw	M10 x 30	4
13	OES-006	Rubber Foot Pad		4
14	OES-007	Platen Casting		1
17	TS-2210451	Hex Cap Screw	M10 x 45	4
18		Sanding Belt (also see Optional Accessories, page 19)		1
19	OES-008	Graphite Pad		1
20	OES-009	Pad Retaining Plate		2
21	TS-1551031	Lock Washer	M5	6
22	TS-2245162	Socket Head Button Screw	M5 x 16	6
23	OES-010	Lt. Sanding Guard Bracket		1
27	OES-011	Rt. Sanding Guard Bracket		1
29	OES-012	Belt Guard		1
33	OES-013	Guard Plate		1
36	OES-014	"U" Handle		1
37	TS-1504031	Socket Head Cap Screw	M8 x 16	2
38	TS-1541031	Nylon Lock Hex Nut	M8	2
39	OES-015	Hand Knob		2
40	OES-016	Lifting Eyebolt		2
41	OES-017	Switch Arm		1
45	OES-018	Rubber Pad		4
46	OES-019	Start/Stop Switch		1
47	OES-094	Clipper (Female)		1
48	OES-095	Clipper (Male)		1
49	TS-2283061	Phillips Flat Head Machine Screw	M3 x 6	4
50	OES-096	Hand Knob	1/4"	1

Parts List: Drive Unit

Index No.	Part No.	Description	Size	Qty
1	OES-020	Ball Bearing Assembly		2
2	TS-2360121	Flat Washer	M12	4
3	TS-1551081	Lock Washer	M12	6
4	TS-1492041	Hex Cap Screw	M12 x 40	4
5	OES-021	Pivot Shaft		1
6	OES-022	Motor Base		1
7	TS-1525011	Socket Set Screw	M10 x 10	2
8	OES-023A	Motor	3HP, 1Ph, 230V	1
	OES-087A	Motor	3HP, 3Ph, 230/460V	1
9	TS-1550071	Flat Washer	M10	4
10	TS-1551071	Lock Washer	M10	6
11	TS-1492031	Hex Cap Screw	M12 x 35	4
12	OES-024A	Oscillating Motor Bracket		1
13	TS-1551061	Lock Washer	M8	5
14	TS-1504051	Socket Head Cap Screw	M8 x 25	2
15	TS-1504041	Socket Head Cap Screw	M8 x 20	4
16	OES-025B	Oscillating Unit (includes circled items on breakdown)		1
17	OES-026B	Reducer Box		1
18	OES-027	Bracket		1
19	TS-1550061	Flat Washer	M8	2
21	TS-2248162	Socket Head Button Screw	M8 x 16	2
22	OES-028	Bearing Housing		1
23	OES-029	Bearing	6001	1
24	OES-030	Spherical Bearing	PB-10	1
26	TS-149105	Hex Cap Screw	M10 x 35	1
28	TS-2331101	Cap Nut	M10	1
30	TS-1492021	Hex Cap Screw	M12 x 30	1
31	OES-031	Cam		1
32	OES-032	Shaft Key	M6 x 30	1
33	OES-033	Flat Washer	8 x 22 x 5	1
35	TS-2248202	Socket Head Button Screw	M8 x 20	1
36	OES-034	Drive Drum		1
37	OES-035	Washer	12 x 40 x 4	1
39	TS-1492011	Hex Cap Screw	M12 x 25	1
40	OES-088	Power Cord (not shown)	1Ph	1
	OES-089	Power Cord (not shown)	3Ph	1
41	OES-090	Motor Cord (not shown)	1Ph	1
	OES-091	Motor Cord (not shown)	3Ph	1
42	OES-092	Switch Cord (not shown)		1
43	OES-023SC	Capacitor, Start (not shown)		1
44	OES-023RC	Capacitor, Run (not shown)		1

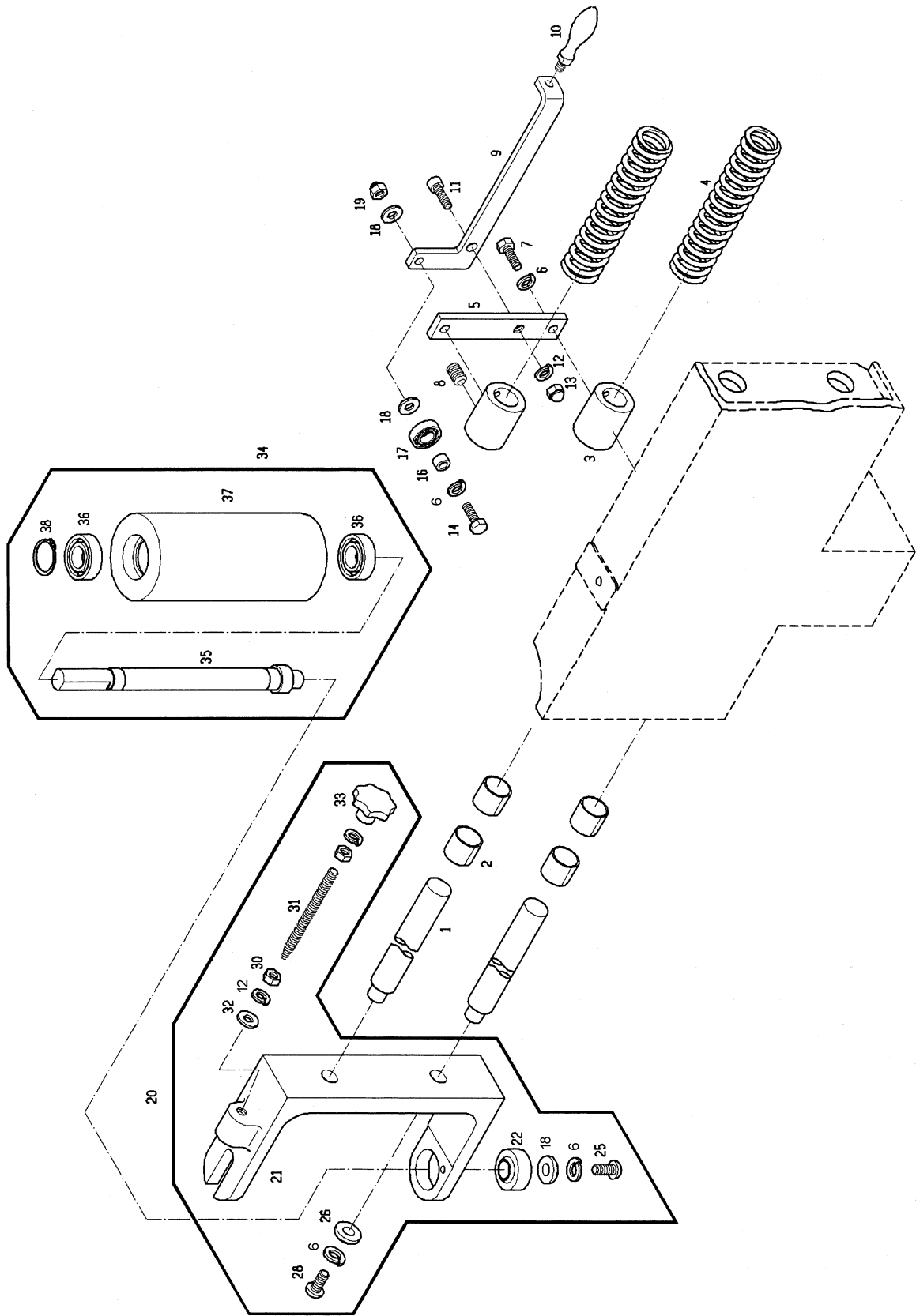
Drive Unit



Parts List: Tracking and Belt Release Unit

Index No.	Part No.	Description	Size	Qty
1	OES-036	Belt Release Post		2
2	OES-037	Bushing		4
3	OES-038	Stop Collar		2
4	OES-039	Spring		2
5	OES-040	Lever Plate		1
6	TS-1551071	Lock Washer	M10	6
7	TS-1491041	Hex Cap Screw	M10 x 30	3
8	TS-1525011	Socket Set Screw	M10 x 10	4
9	OES-041	Lever Arm		1
10	OES-042	Lever Handle		1
11	TS-1506031	Socket Head Cap Screw	M12 x 30	1
12	TS-1551081	Lock Washer	M12	3
13	TS-2331121	Cap Nut	M12	1
14	TS-149105	Hex Cap Screw	M10 x 35	1
16	OES-043	Bushing		1
17	OES-044	Bearing		1
18	TS-1550071	Flat Washer	M10	3
19	TS-2331101	Cap Nut	M10	1
20	OES-045	Idler Adjustment Unit		1
21	OES-046	Idler Casting		1
22	OES-047	Spherical Bearing		1
25	TS-2249162	Socket Head Button Screw	M10 x 16	1
26	OES-048	Washer	10 x 25 x 6	2
28	TS-2249252	Socket Head Button Screw	M10 x 25	2
30	TS-1540081	Hex Nut	M12	2
31	OES-049	Tracking Screw		1
32	TS-2360121	Flat Washer	M12	1
33	OES-050	Tracking Adjust Knob		1
34	OES-051	Idler Wheel Unit		1
35	OES-052	Idler Shaft		1
36	OES-053	Bearing	6205	2
37	OES-054	Tracking Roller		1
38	OES-055	Retaining Ring		1

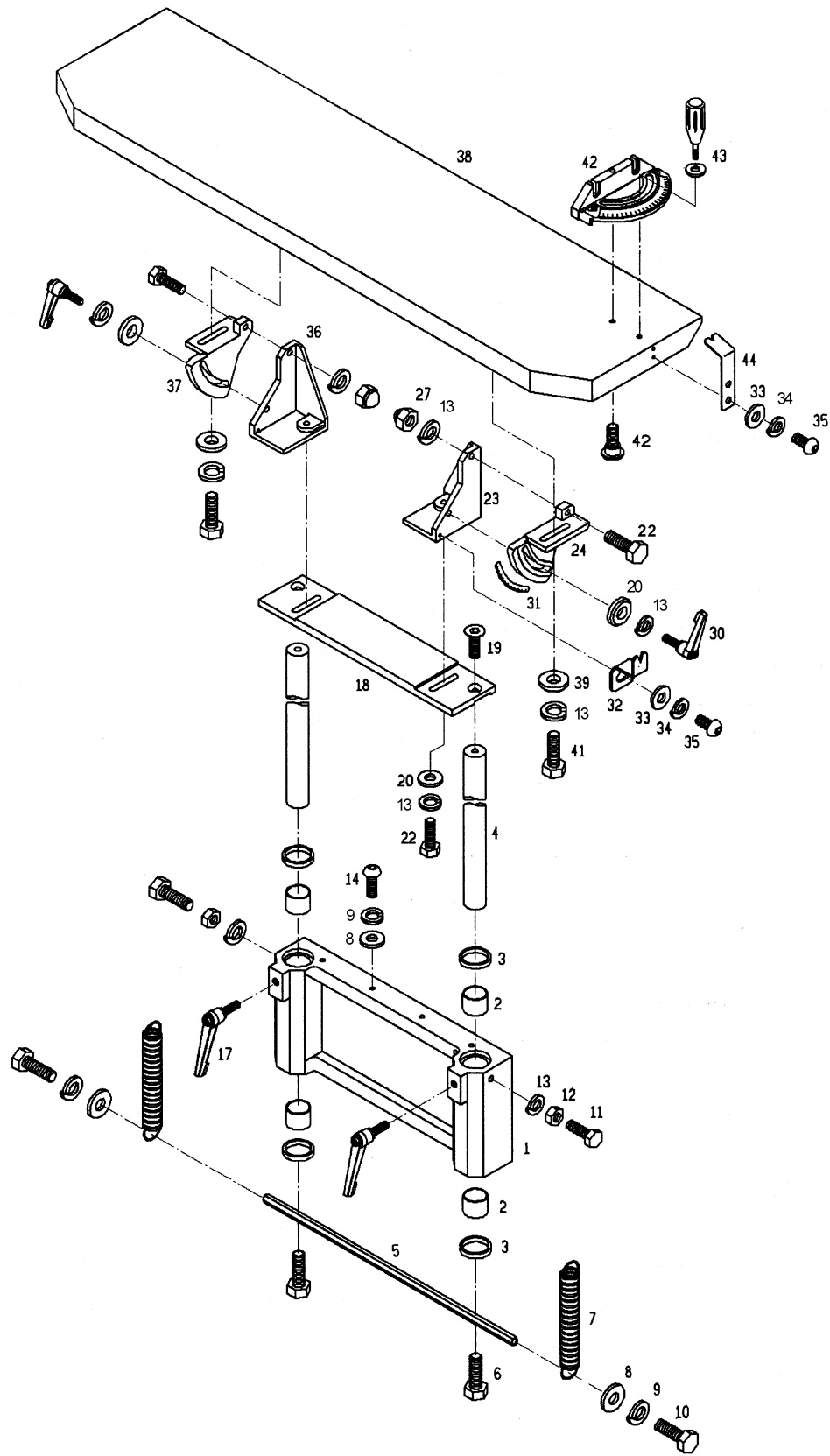
Tracking and Belt Release Unit



Parts List: Table Assembly

Index No.	Part No.	Description	Size	Qty
1	OES-056	Elevation Casting		1
2	OES-057	DU Bushing	3025	4
3	OES-058	Seal	35 x 50 x 8	4
4	OES-059	Table Post		2
5	OES-060	Link		1
6	TS-1490051	Hex Cap Screw	M8 x 30	2
7	OES-061	Spring		2
8	TS-1550061	Flat Washer	M8	6
9	TS-1551061	Lock Washer	M8	6
10	TS-1490011	Hex Cap Screw	M8 x 12	2
11	TS-1491081	Hex Cap Screw	M10 x 50	2
12	TS-1540071	Full Hex Nut	M10	2
13	TS-1551071	Lock Washer	M10	10
14	TS-2248252	Socket Head Button Screw	M8 x 25	4
17	OES-062	Locking Handle		2
18	OES-063	Adjustment Plate		1
19	TS-1516021	Socket Head Flat Screw	M10 x 25	2
20	OES-064	Flat Washer	10 x 25 x 6	4
22	TS-1491041	Hex Cap Screw	M10 x 30	4
23	OES-065	Table Bracket Rt.		1
24	OES-066	Tilt Bracket Rt.		1
27	TS-2331101	Cap Nut	M10	2
30	OES-067	Locking Handle		2
31	OES-068	Angle Scale		1
32	OES-069	Angle Pointer		1
33	TS-1550031	Flat Washer	M5	3
34	TS-1551031	Lock Washer	M5	3
35	TS-2245102	Socket Head Button Screw	M5 x 10	3
36	OES-070	Table Bracket Lt.		1
37	OES-071	Tilt Bracket Lt.		1
38	OES-072	Main Table		1
39	OES-073	Washer	10 x 25 x 6	2
41	TS-149105	Hex Cap Screw	M10 x 35	2
42	OES-074	Mitre Gauge & Dowel Screw		1
43	OES-075	Lock Handle		1
44	OES-076	Mitre Gauge Pointer		1

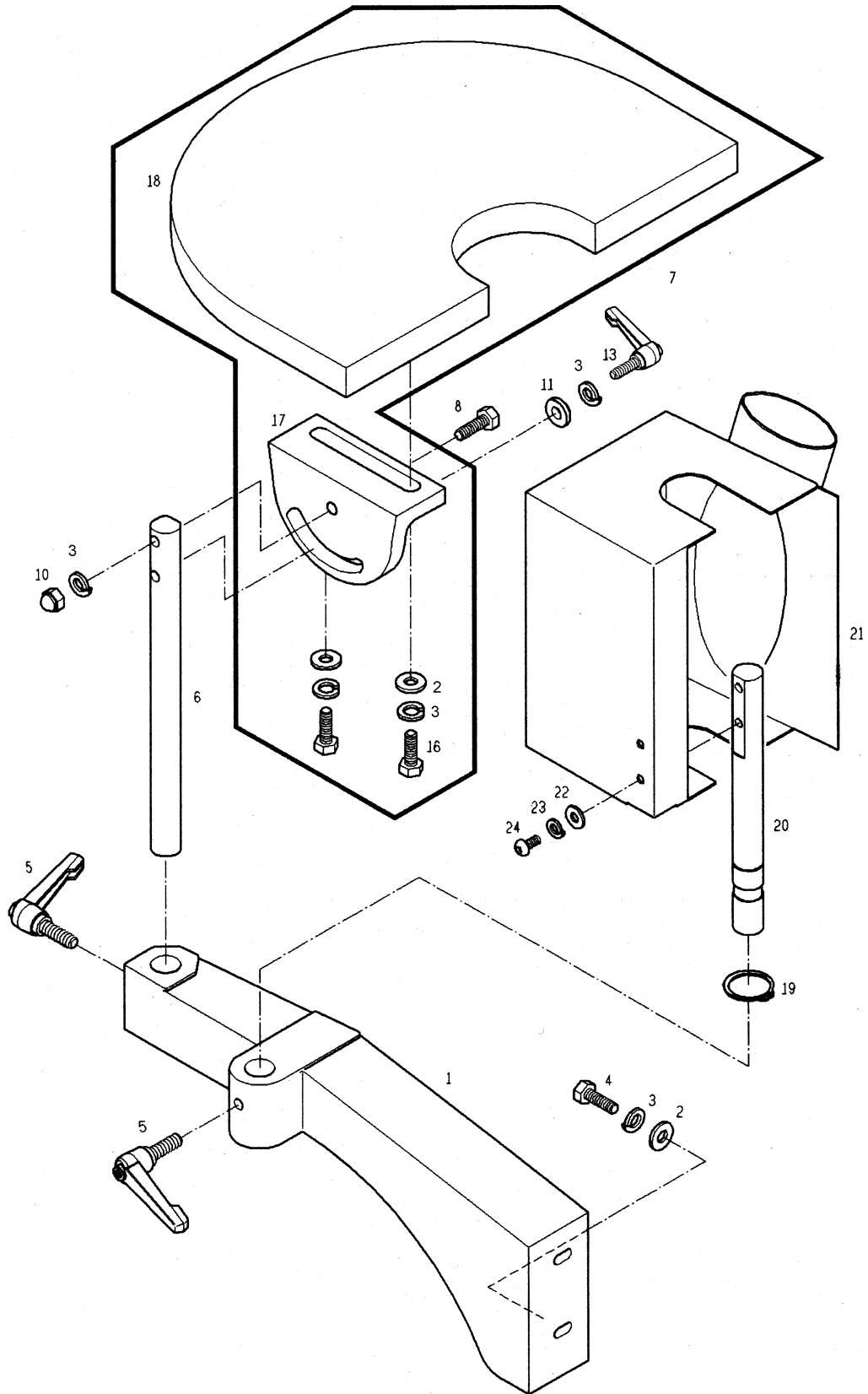
Table Assembly



Parts List: Contour Sanding Unit

Index No.	Part No.	Description	Size	Qty
1	OES-077	Sanding Arm Casting		1
2	TS-1550071	Flat Washer	M10	4
3	TS-1551071	Lock Washer	M10	6
4	TS-1491061	Hex Cap Screw	M10 x 40	2
5	OES-078	Locking Handle		2
6	OES-079	Table Post		1
7	OES-080	Contour Table Unit		1
8	TS-1491081	Hex Cap Screw	M10 x 50	1
10	TS-2331101	Cap Nut	M10	1
11	OES-081	Washer	10 x 25 x 6	1
13	OES-067	Locking Handle	M10 x 35	1
16	TS-1491031	Hex Cap Screw	M10 x 25	2
17	OES-082	Tilt Bracket		1
18	OES-083	Contour Sanding Table		1
19	OES-084	Retaining Ring		1
20	OES-085	Guard Post		1
21	OES-086	Dust Hood		1
22	TS-1550061	Flat Washer	M8	2
23	TS-1551061	Lock Washer	M8	2
24	TS-2248162	Socket Hd Button Screw	M8 x 16	2

Contour Sanding Unit



Electrical Connections – 3 Phase

Place fuse in appropriate slot for desired voltage.
Pre-set 230V at factory.

