

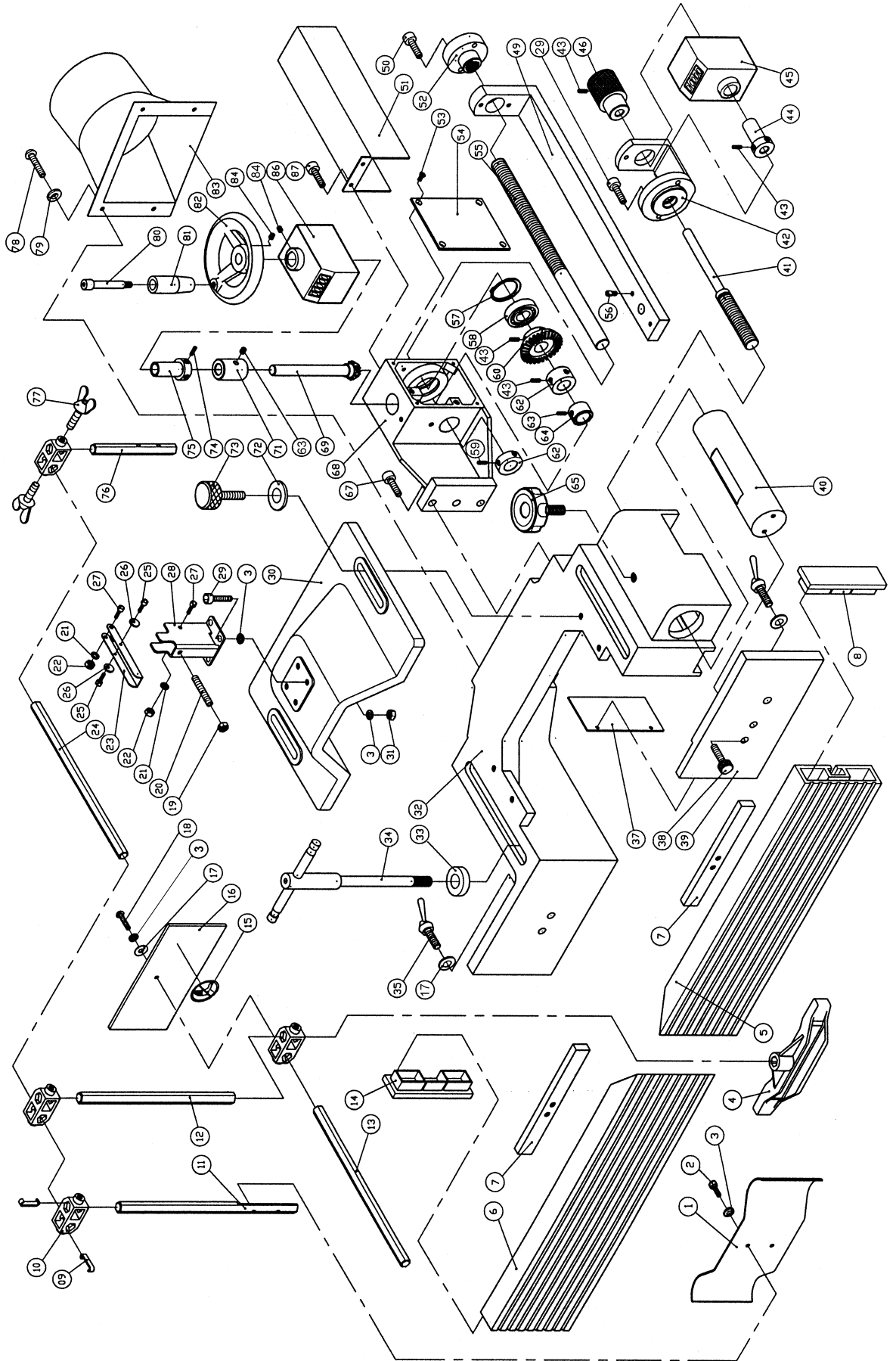
Parts List: Fence Assembly (TS29 Shaper)

No.	Part No.	Description	Quantity
1	TS29-001	Spring Guard	1
2	TS-1503021	Socket Head Cap Screw, M6 x 10	1
3	TS-236106	Lock Washer, M6	9
4	TS29-002	Hold-down	1
5	TS29-003	Fence R.H.	1
6	TS29-004	Fence L.H.	1
7	TS29-005	Slide Bar	2
8	TS29-006	Fence End Cap R.H.	1
9	TS29-007	Clip	8
10	TS29-008	Post Clamp Block	4
11	TS29-009	Vertical Hex Post	1
12	TS29-010	Vertical Hex Post	1
13	TS29-011	Horizontal Hex Post - Short	1
14	TS29-012	Fence Cap L.H.	1
15	TS29-013	Warning Label, for TS29 shield	1
16	TS29-014	Clear Shield	1
17	TS-1550061	Flat Washer, M8	5
18	TS-1534052	Pan Head Phillips Machine Screw, M6 x 20	1
19	TS-1540061	Hex Nut, M8	1
20	TS29-195	Hex Socket Set Screw, M8 x 35	1
21	TS-236105	Lock Washer, M5	2
22	TS-1541011	Lock Nut, M5	2
23	TS29-015	Latch Handle	1
24	TS29-016	Horizontal Hex Post - Long	1
25	TS-1502021	Socket Head Cap Screw, M5 x 10	2
26	TS29-017	Cam Washer	2
27	TS-1502061	Socket Head Cap Screw, M5 x 25	2
28	TS29-018	Guard Support Bracket	1
29	TS-1503051	Socket Head Cap Screw, M6 x 20	6
30	TS29-019	Fence Cover Plate	1
31	TS-1540041	Hex Nut, M6	2
32	TS29-020	Fence Body Casting	1
33	TS29-021	Beveled Flat Washer, M14	2
34	TS29-022	Lock Handle	2
35	TS29-023	Lock Lever, M10 x 35	2
37	TS29-024	Cover Plate	1
38	TS-1503071	Socket Head Cap Screw, M6 x 30	2
39	TS29-025	Fence Back Plate	1
40	TS29-026	Fence Ram	1
41	TS29-027	Fence Adjustment Screw	1
42	TS29-028	Housing	1
43	TS-1524011	Socket Set Screw, M8 x 8	7
44	TS29-029	Bushing	1
45	TS29-030	Lower Dial Indicator	1
46	TS29-031	Adjustment Knob	1
49	TS29-032	Fence Guide	1
50	TS-1503061	Socket Head Cap Screw, M6 x 25	2
51	TS29-033	Worm Cover	1
52	TS29-034	Worm Guide	1
53	TS-1512011	Socket Head Flat Screw, M4 x 10	4
54	TS29-035	Worm Base Cover	1
55	TS29-036	Worm Shaft	1
56	TS29-199	Fence Locating Pin	2

Parts List: **Fence Assembly (TS29 Shaper)** continued

No.	Part No.	Description	Quantity
57	TS29-037	Retaining Ring	1
58	BB-6204	Ball Bearing 6204	1
60	TS29-038	Bevel Gear	1
62	TS29-039	Retainer	1
63	TS-1524041	Socket Set Screw, M8 x 16	2
64	TS29-040	Retainer, R42	1
65	TS29-041	Lock Knob, M12	1
67	TS-1505041	Socket Head Cap Screw, M10 x 30	3
68	TS29-042	Worm Base	1
69	TS29-043	Bevel Gear	1
71	TS29-044	Collar	1
73	TS29-045	M8 Knob w/Stud	2
74	TS29-196	Socket Set Screw, M5 x 4	1
75	TS29-046	Bushing	1
76	TS29-047	Vertical Hex Post	1
77	TS29-048	Thumb Screw, M8 x 17	8
78	TS-1533042	Pan Head Phillips Machine Screw, M5 x 12	4
79	TS-1550031	Flat Washer, M5	4
80	TS29-049	Bolt	1
81	TS29-050	Swivel Handle	1
82	TS29-051	Handwheel	1
83	TS29-052	Dust Port	1
84	TS-1523011	Socket Set Screw, M6 x 6	2
86	TS29-053	Upper Dial Indicator	1
87	TS-1502031	Socket Head Cap Screw, M5 x 12	2

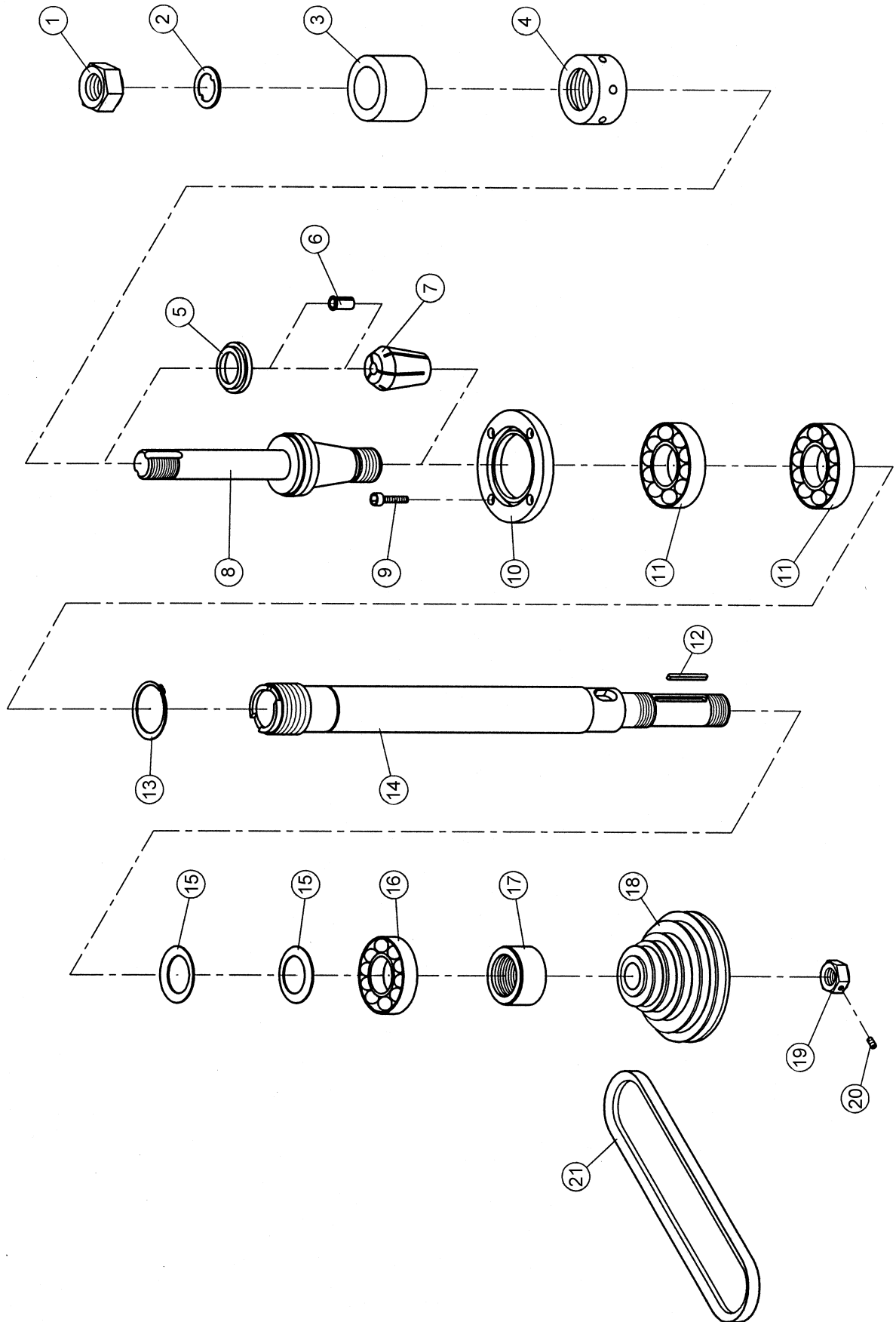
Fence Assembly (TS29 Shaper)



Parts List: Spindle Assembly (TS29 Shaper)

No.	Part No.	Description	Quantity
1	6293033	Spindle Nut, 3/4	1
	6293034	Spindle Nut, 1	1
	6293035	Spindle Nut, 1-1/4	1
2	TS29-054	Keyed Washer, 3/4	1
	TS29-055	Keyed Washer, 1	1
	TS29-056	Keyed Washer, 1-1/4	1
3	TS29-057	Spacer, 3/4 (Set of 8 pcs.)	1
	TS29-058	Spacer, 1 (Set of 8 pcs.)	1
	TS29-059	Spacer, 1-1/4 (Set of 8 pcs.)	1
4	6293040	Retainer Nut, 1-1/4	1
5	6293041	Collet Nut, 1-1/4	1
6	6293042	Bushing, 1/4	1
7	6293043	Collet Chuck, 1/2	1
8	TS29-060	Interchangeable Spindle, 3/4	1
	TS29-061	Interchangeable Spindle, 1	1
	TS29-062	Interchangeable Spindle, 1-1/4	1
9	TS-1502041	Socket Head Cap Screw, M5 x 16	4
10	TS29-063	Plate	1
11	BB-6008Z	Bearing 6008Z	2
12	TS29-064	Key, M6 x 54	1
13	TS29-065	Retaining Ring, S40	1
14	TS29-066	Spindle	1
15	TS29-067	Spring Disk, 61.5 x 40.5 x 0.7	2
16	BB-6206Z	Bearing 6206Z	1
17	TS29-068	Spacer	1
18	TS29-069	Spindle Pulley	1
19	TS29-070	Pulley Nut	1
20	TS-1523011	Socket Set Screw, M6 x 6	1
21	TS29-200	Belt, 3V x 375	1
	TS29-071	3/4" Interchangeable Spindle Assembly (Items 1, 2, 3, 8)	
	TS29-072	1" Interchangeable Spindle Assembly (Items 1, 2, 3, 8)	
	TS29-073	1-1/4" Interchangeable Spindle Assembly (Items 1, 2, 3, 8)	
	TS29-074	Collet Chuck w/Bushing Assembly (Items 5 thru 7)	

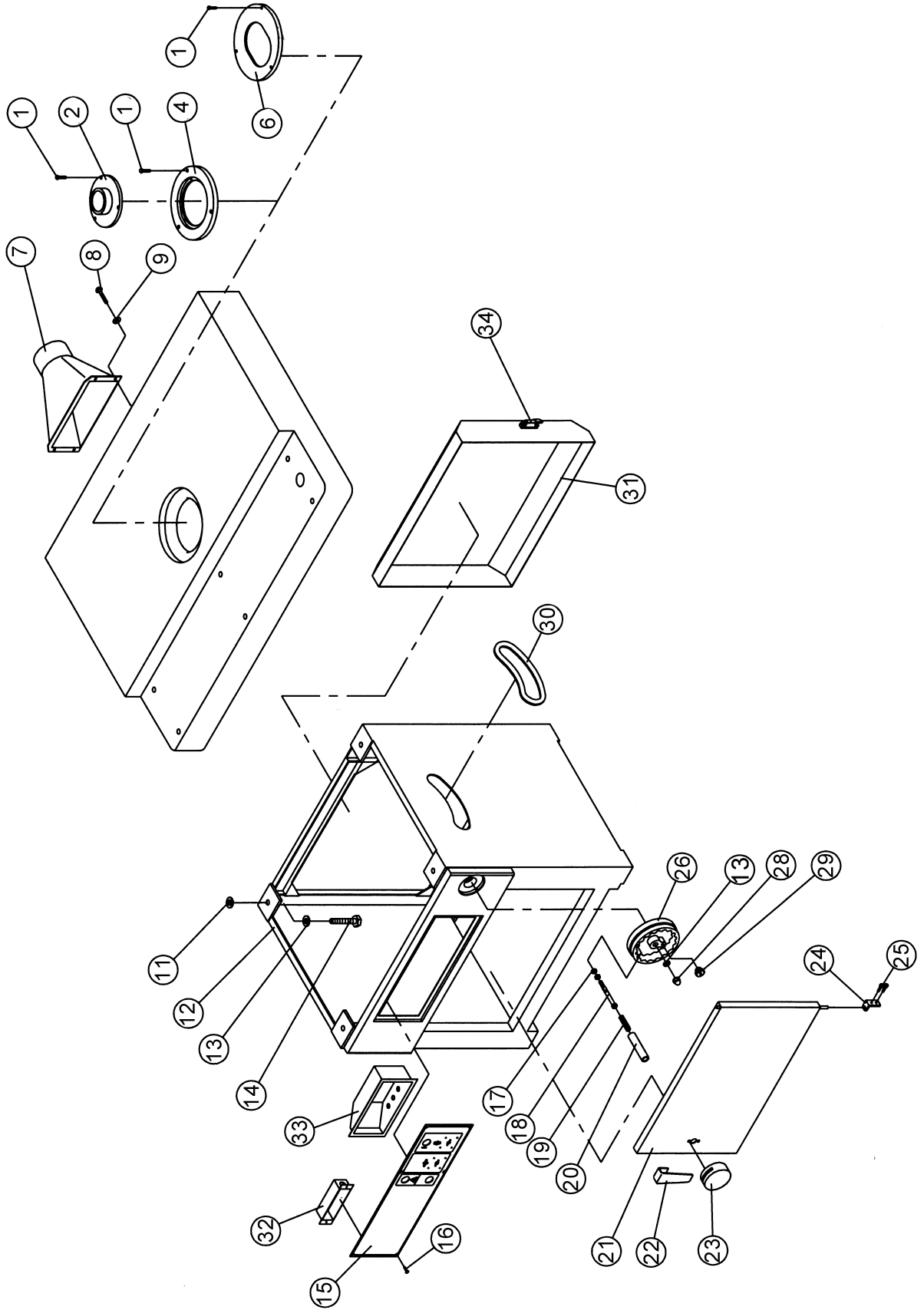
Spindle Assembly (TS29 Shaper)



Parts List: **Cabinet Assembly** (TS29 Shaper)

No.	Part No.	Description	Quantity
1	TS-1502041	Socket Head Cap Screw, M5 x 16	9
2	TS29-075	Table Insert, 2-1/2" I.D.	1
4	TS29-076	Table Insert, 5-1/2" I.D.	1
6	TS29-077	Table Insert (Tilting)	1
7	TS29-078	Dust Chute	1
8	TS-1533032	Pan Head Phillips Machine Screw, M5 x 10	4
9	TS-1550031	Flat Washer, M5	4
11	TS-2360121	Flat Washer, M12	4
12	TS29-079	Cabinet	1
13	TS-236112	Lock Washer, M12	5
14	TS-2211451	Hex Cap Screw, M12 x 45	4
15	TS29-080	Control Panel	1
16	TS-2244102	Pan Head Phillips Machine Screw, M4 x 10	3
17	TS-154007	Hex Nut, M10	2
18	TS29-081	Fixed Screw	1
19	TS29-082	Spring	1
20	TS29-083	Knob	1
21	TS29-084	Front Cabinet Door	1
22	TS29-085	Front Door Handle	1
23	TS29-086	Latch Assembly	1
24	TS29-087	Hinge Bracket	1
25	TS-1502021	Socket Head Cap Screw, M5 x 10	2
26	TS29-088	Handwheel	1
28	TS-231121	Cap Nut, M12	1
29	TS29-089	Knob w/Stud	1
30	TS29-090	Tilting Scale Base	1
31	TS29-091	Rear Cabinet Door	1
32	TS29-092	Plastic Switch Cover	1
33	TS29-093	Speed Indicator Cover	1
34	TS29-094	Rear Door Latch Assembly	1

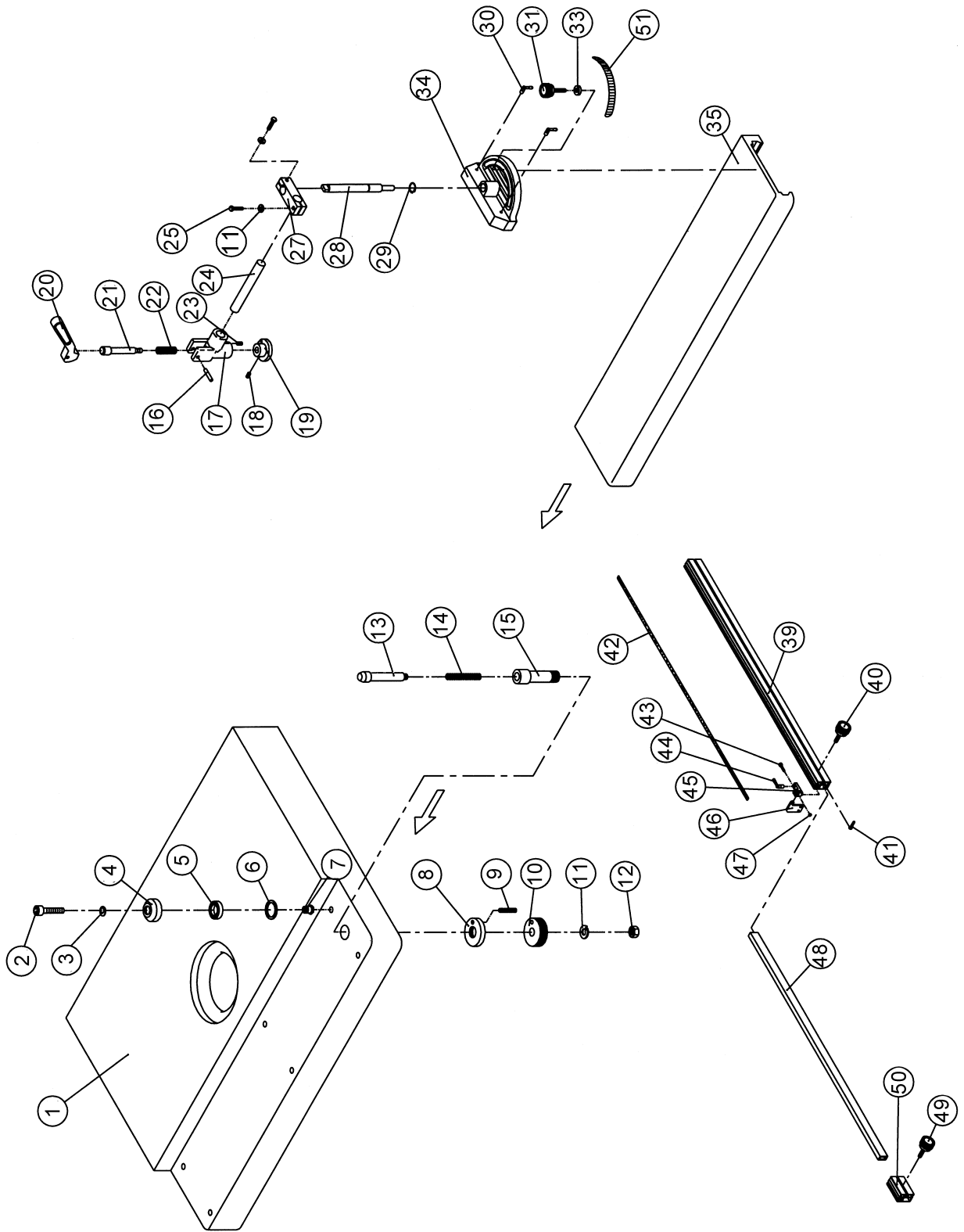
Cabinet Assembly (TS29 Shaper)



Parts List: **Sliding Table Assembly** (TS29 Shaper)

No.	Part No.	Description	Quantity
1	TS29-095	Main Table	1
2	TS-1504101	Socket Head Cap Screw, M8 x 50	6
3	TS29-096	Ring Nut	6
4	TS29-097	Bearing Race	6
5	BB-6004ZZ	Ball Bearing 6004ZZ	6
6	TS29-098	Retaining Ring, R42	6
7	TS29-099	Bushing	6
8	TS29-100	Nut	1
9	TS29-197	Socket Set Screw, M5 x 30	1
10	TS29-101	Lock Ring	1
11	TS-236110	Lock Washer, M10	3
12	TS-1540072	Hex Nut, M10	1
13	TS29-102	Table Lock Pin	1
14	TS29-103	Spring	1
15	TS29-104	Housing	1
16	TS29-105	Roll Pin	1
17	TS29-106	Clamp Casting	1
18	TS-1523041	Socket Set Screw, M6 x 12	1
19	TS29-107	Plunger Pad	1
20	TS29-108	Locking Arm	1
21	TS29-109	Plunger	1
22	TS29-110	Spring	1
23	TS-1524031	Socket Set Screw, M8 x 12	1
24	TS29-111	Horizontal Post	1
25	TS-149105	Hex Cap Screw, M10 x 35	2
27	TS29-112	Post Clamp	1
28	TS29-113	Vertical Post	1
29	TS29-114	Retaining Ring, S25	1
30	TS29-115	Lock Lever, M6	2
31	TS29-116	Knob, M10	1
33	TS-1550071	Flat Washer, M10	1
34	TS29-117	Mitre Gauge Body	1
35	TS29-118	Sliding Table	1
39	TS29-119	Aluminum Fence	1
40	TS29-120	Knob w/ Stud	1
41	TS-1482071	Hex Cap Screw, M6 x 35	1
42	TS29-121	Scale	1
43	TS-1481061	Hex Cap Screw, M5 x 25	1
44	TS29-122	Lock Lever	1
45	TS29-123	Sliding Block	1
46	TS29-124	Stop Plate	1
47	TS-1540031	Hex Nut, M5	1
48	TS29-125	Extension Bar	1
49	TS29-126	Knob w/ Stud	1
50	TS29-127	Support Fence	1
51	TS29-128	Scale	1

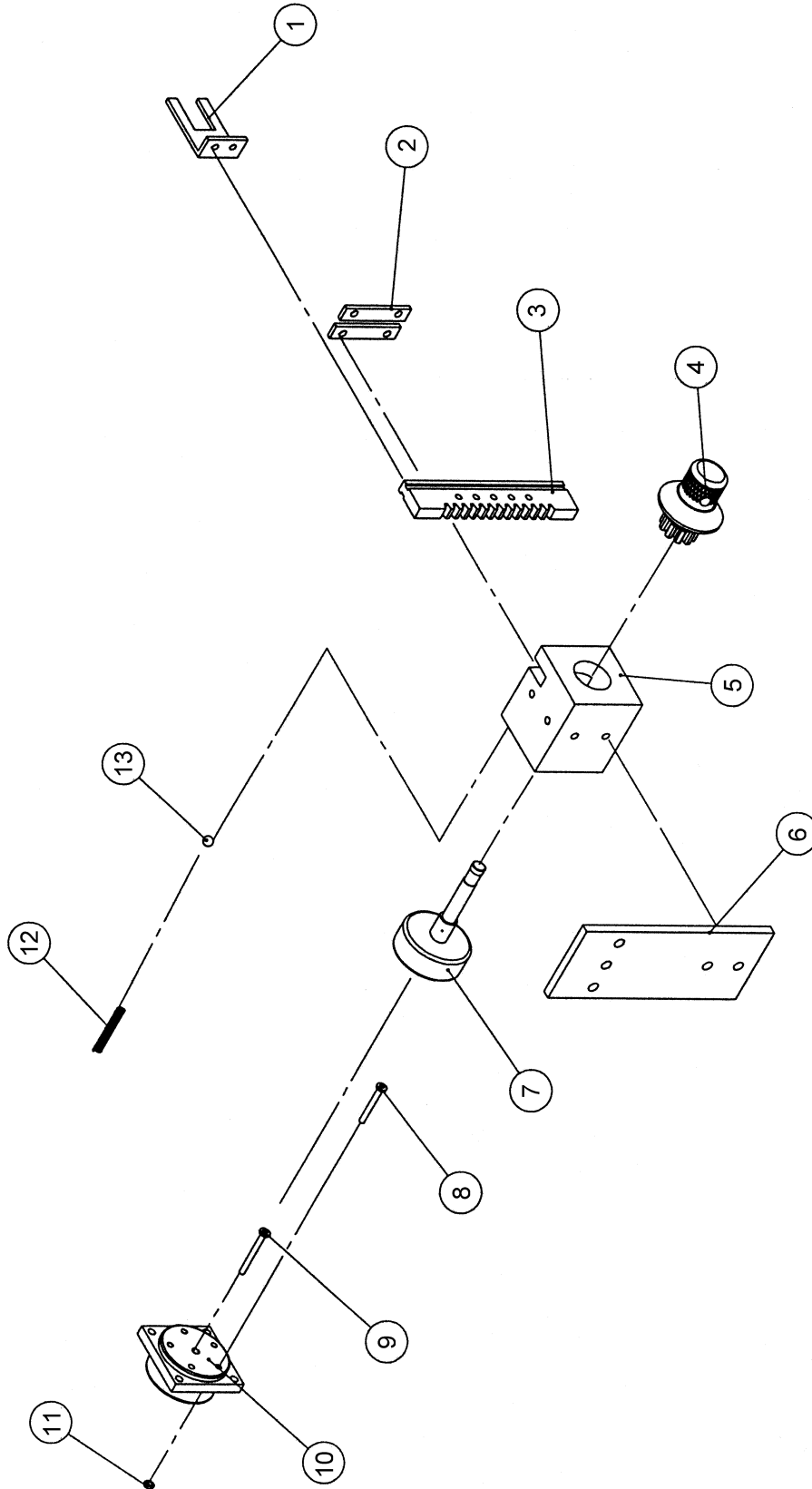
Sliding Table Assembly (TS29 Shaper)



Parts List: **Speed Indicator (TS29 Shaper)**

No.	Part No.	Description	Quantity
1	TS29-129	Belt Fork	1
2	TS29-130	Fork Slide	2
3	TS29-131	Rack	1
4	TS29-132	Gear	1
5	TS29-133	Block	1
6	TS29-134	Mount Bracket	1
7	TS29-135	Sensor	1
8	TS29-201	Pan Head Machine Screw, 5/32 x 1-1/4 Lg	5
9	TS29-202	Pan Head Machine Screw, 5/32 x 1-1/2 Lg	1
10	TS29-136	Terminal	1
11	TS29-203	Hex Nut, 5/32	13
12	TS29-137	Spring	1
13	TS29-138	Steel Ball, 1/4	1

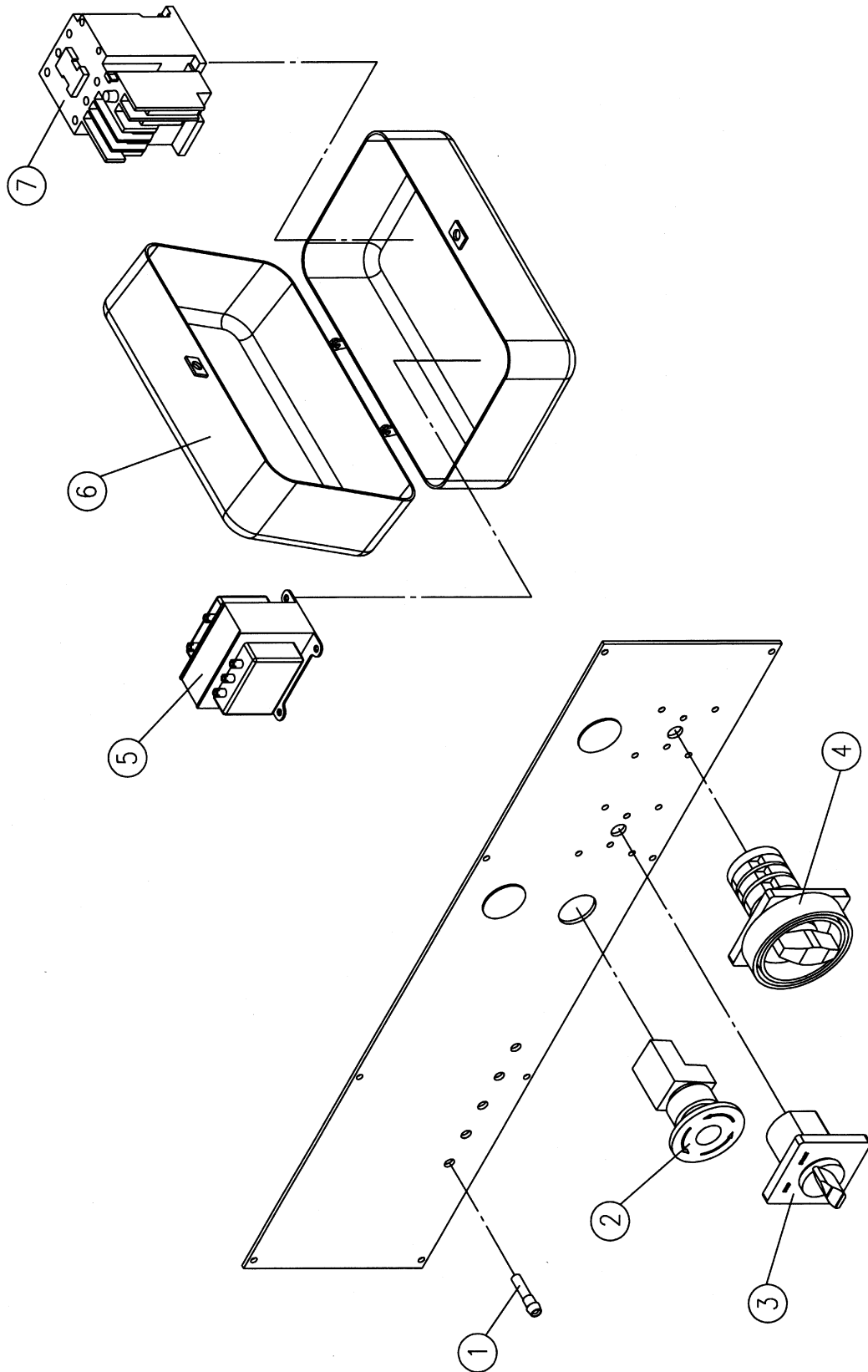
Speed Indicator (TS29 Shaper)



Parts List: **Electrical Components** (TS29 Shaper)

No.	Part No.	Description	Quantity
1	TS29-139	Speed Indicator Light.....	5
2	TS29-140	Stop Button	1
3	TS29-141	Start Switch	1
4	TS29-142	Forward/Reverse Switch	1
5	TS29-143	Transformer	1
6	TS29-144	Control Box	1
7	TS29-145	Magnetic Starter w/Overload Relay	1

Electrical Components (TS29 Shaper)



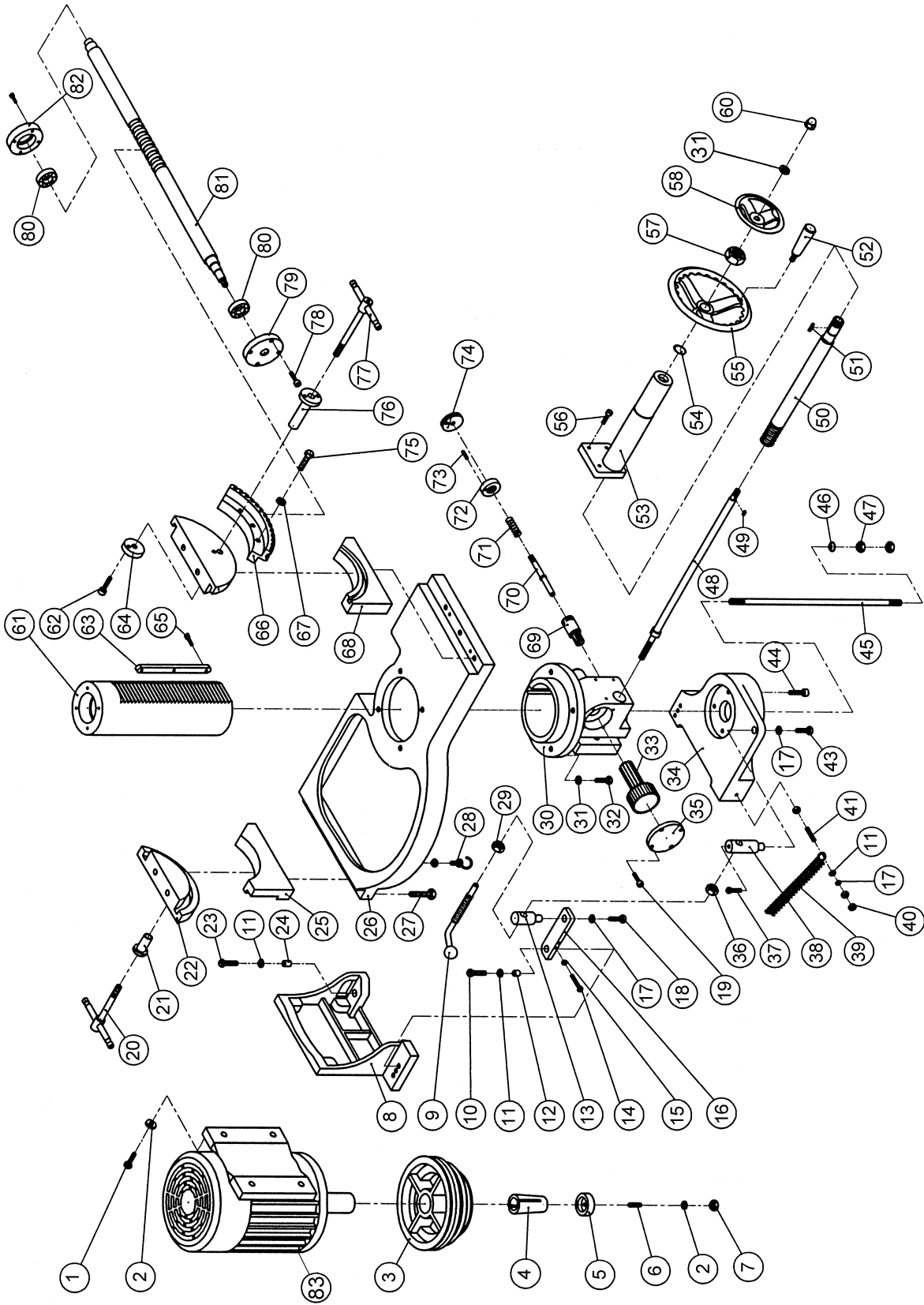
Parts List: Quill Assembly (TS29 Shaper)

No.	Part No.	Description	Quantity
1	TS-149105	Hex Cap Screw, M10 x 35	4
2	TS-236110	Lock Washer, M10	4
3	TS29-146	Motor Pulley	2
4	TS29-147	Motor Shaft Sleeve	1
5	TS29-148	Retainer	1
6	TS-2279351	Socket Set Screw, M10 x 35	1
7	TS-1540071	Hex Nut, M10	1
8	TS29-149	Motor Mount	1
9	TS29-150	Belt Release Handle	1
10	TS-1491041	Hex Cap Screw, M10 x 30	1
11	TS-1550071	Flat Washer, M10	3
12	TS29-151	Spacer	1
13	TS29-152	Stud	1
14*	TS-2288202	Pan Head Phillips Machine Screw, M8 x 20	1
15	TS-1540061	Hex Nut, M8	1
16	TS29-153	Linkage	1
17	TS-1550061	Flat Washer, M8	2
18	TS-1491031	Hex Cap Screw, M8 x 25	1
19	TS-1502051	Socket Head Cap Screw, M5 x 20	4
20	TS29-154	Handle L.H.	1
21	TS29-155	Bushing L.H.	1
22	TS29-156	Top Trunnion L.H.	1
23	TS-1491081	Hex Cap Screw, M10 x 50	1
24	TS29-157	Spacer	1
25	TS29-158	Bottom Trunnion L.H.	1
26	TS29-159	Trunnion Main Frame	1
27	TS-1491031	Hex Cap Screw, M10 x 25	6
28	TS29-160	Spring Hook	1
29	TS-154010	Hex Nut, M16	1
30	TS29-161	Quill Housing	1
31	TS-2360121	Flat Washer, M12	5
32	TS-2211451	Hex Head Bolt, M12 x 45	4
33	TS29-162	Raising Gear	1
34	TS29-163	Base Plate	1
35	TS29-164	End Cap	1
36	TS-2310162	Hex Nut, M16	1
37	TS29-165	Hex Head Bolt, M8 x 10	1
38	TS29-166	Stud	1
39	TS29-167	Spring	1
40	TS-1540061	Hex Nut, M8	3
41	TS29-198	Socket Set Screw, M8 x 50	1
43	TS-1490021	Hex Cap Screw, M8 x 16	1
44	TS-1502071	Socket Head Cap Screw, M5 x 30	4
45	TS29-168	Draw Bar	1
46	TS29-169	Bevel Washer	1
47	TS-0561051	Hex Nut, 1/2-13	2
48	TS29-170	Locking Post	1
49	TS29-171	Key, 4 x 12mm	1
50	TS29-172	Raising Shaft	1
51	TS29-173	Key, 4 x 24mm	1
52	TS29-174	Swivel Handle	1
53	TS29-175	Outer Casing	1
54	TS29-176	Retaining Ring	1

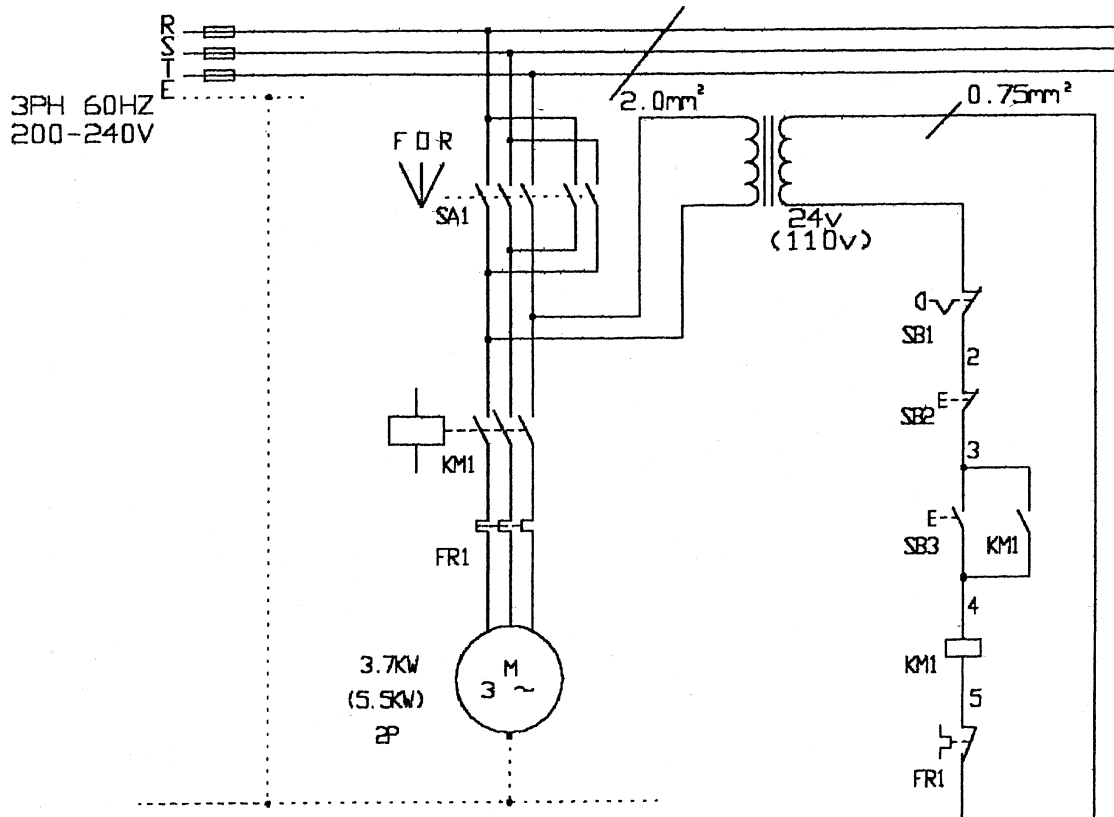
Parts List: **Quill Assembly (TS29 Shaper)** continued

No.	Part No.	Description	Quantity
55	TS29-177	Handwheel	1
56	TS-1503071	Socket Head Cap Screw, M6 x 30	4
57	TS-1540081	Hex Nut, M12	1
58	TS29-178	Handwheel	1
60	TS-2331121	Cap Nut, M12	1
61	TS29-179	Quill	1
62	TS-1503041	Socket Head Cap Screw, M6 x 16	1
63	TS29-180	Key	1
64	TS29-181	Fixed Nut	1
65	TS-1502041	Socket Head Cap Screw, M5 x 16	3
66	TS29-182	Segment Gear	1
67	TS-1550061	Flat Washer, M8	3
68	TS29-183	Inner Trunnion R.H.	1
69	TS29-184	Locking Post	1
70	TS29-185	Locking Pin	1
71	TS29-186	Spring	1
72	TS29-187	Spring Retainer	1
73	TS-1523071	Socket Set Screw, M6 x 25	1
74	TS29-188	Lock Knob	1
75	TS-1490071	Hex Cap Screw, M8 x 40	3
76	TS29-189	Sleeve	1
77	TS29-190	Handle R.H.	1
78	TS-1502051	Socket Head Cap Screw, M5 x 20	8
79	TS29-191	Tilt Shaft End Plate	1
80	TS29-204	Bearing	2
81	TS29-192	Tilt Shaft	1
82	TS29-193	Bearing Block	1
83	TS29-194	Motor, 7.5HP, 3Ph, 230/460V, 60Hz, TEFC	1

Quill Assembly (TS29 Shaper)



Electrical Schematic (TS29 Shaper)



To order parts or reach our service department, please call our toll-free number between 7:30 a.m. and 6:00 p.m. (CST), Monday through Friday. Having the Model Number and Serial Number of your machine available when you call will allow us to serve you quickly and accurately. Locating the stock number of the part(s) required from your parts manual will also expedite your order.

Phone No.: (800) 274-6848
Website: www.powermatic.com