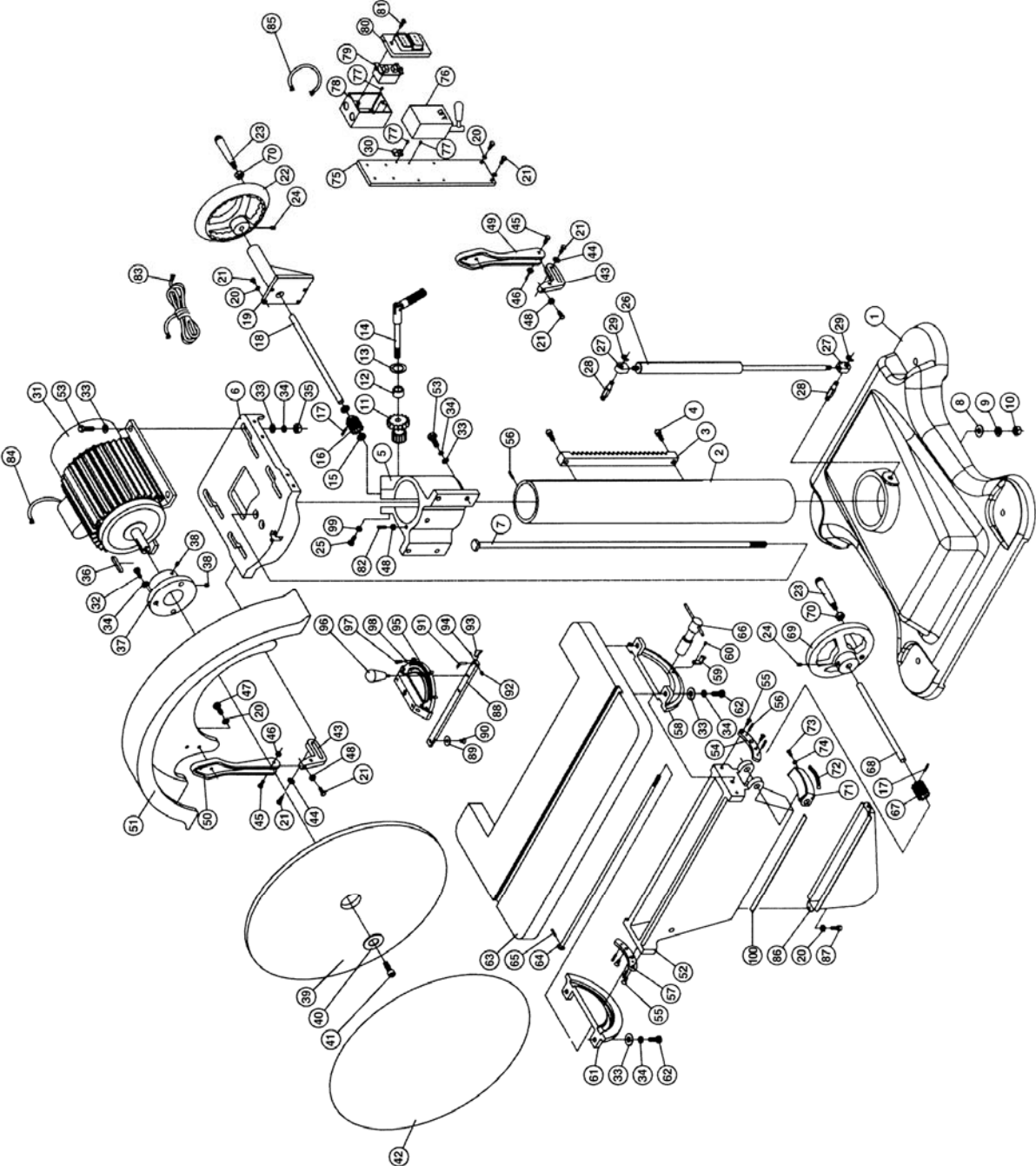


## Parts List: DS20 Disc Sander

Index No.	Part No.	Description	Size	Qty
1	6295560	Base		1
2	6295561	Column		1
3	6295562	Rack		1
4	6295563	Socket Head Cap Screw	5/16"-18 x 1/2"	2
5	6295564	Column Support		1
6	6295565	Motor Base		1
7	6295566	Stud		1
8	6295567	Flat Washer	1/2"	1
9	6295568	Spring Washer	1/2"	1
10	6295569	Hex Nut	1/2"	1
11	6295570	Worm Gear		1
12	6295571	Bushing		1
13	6295572	Flat Washer		1
14	6295573	Lock Handle Assembly		1
15	6295574	Bushing		1
16	6295575	Table Lifting Worm		1
17	6295576	Roll Pin	3 x 20mm	2
18	6295577	Shaft		1
19	6295578	Shaft Support Bracket		1
20	6295579	Spring Washer	1/4"	10
21	6295580	Hex Head Screw	1/4"-20 x 1"	10
22	6295581	Handwheel		1
23	6295582	Handle		2
24	6295583	Set Screw	5/16"-18 x 3/8"	4
25	6295584	Hex Head Screw	5/16"-18 x 1-3/4"	2
26	6295585	Hydraulic Cylinder		1
27	6295586	Cylinder Head		2
28	6295587	Cylinder Fitting		2
29	6295588	E-Ring		2
30	6295589	Wire Protector		1
31	6295590	Motor	2HP, 1Ph, 230V	1
	6295591	Motor	3HP, 3Ph, 230/460V	1
	DS20-SC	Start Capacitor (not shown)	500MFD, 250VAC	1
	DS20-RC	Run Capacitor (not shown)	40uf, 250VAC	1
32	6295592	Hex Head Screw	3/8"-16 x 1-1/2"	3
33	6295593	Flat Washer	3/8"	16
34	6295594	Spring Washer	3/8"	15
35	6295595	Hex Nut	3/8"	4
36	6295596	Key	5 x 5 x20mm	1
37	6295597	Hub		1
38	6295598	Set Screw	3/8"-16 x 3/8"	2
39	6295602	Disc		1
40	6295600	Disc Insert		1
41	6295601	Cap Screw	5/16"-18 x 1"	1
42		Abrasive Disc (local purchase)	20" Dia., 100 Grit	1
43	6295603	Disc Guard Bracket		2
44	6295604	Flat Washer	1/4"	2
45	6295605	Hex Head Screw	1/4"-20 x 1-1/4"	2
46	6295606	Lock Nut	1/4"	2
47	6295607	Hex Head Screw	1/4"-20 x 5/8"	2
48	6295608	Hex Nut	1/4"	3
49	6295609	Disc Guard Arm (R)		1
50	6295610	Disc Guard Arm (L)		1
51	6295611	Disc Guard		1
52	6295612	Solid Segment		1
53	6295613	Hex Head Screw	3/8"-16 x 1-3/4"	8
54	6295614	Pilot, Right		1

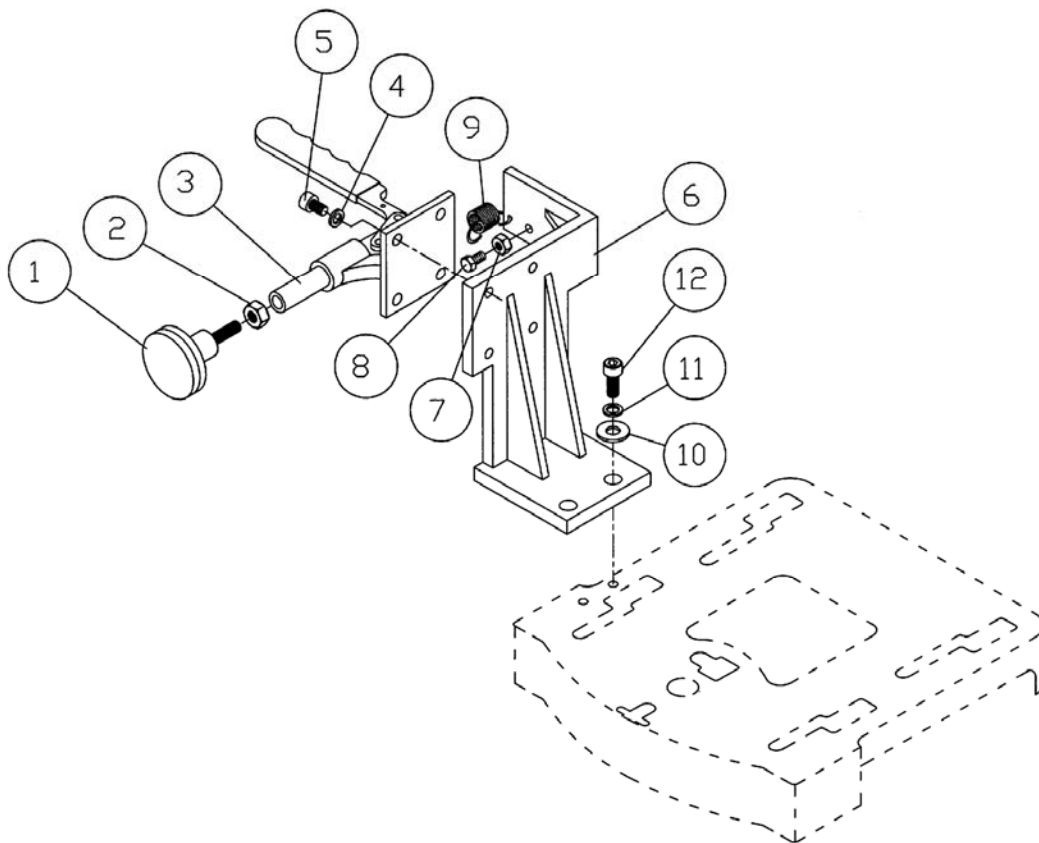
Index No.	Part No.	Description	Size	Qty
55	6295615	Phillip Head Screw	1/4"-20 x 1/2"	4
56	6295616	Spring Pin	5 x 20mm	5
57	6295617	Pilot, Left		1
58	6295618	Gear Segment		1
59	6295619	Pointer		1
60	6295620	Round Head Screw		1
61	6295621	Trunnion		1
62	6295622	Hex Head Screw	3/8"-16 x 1"	4
63	6295623	Table		1
64	6295624	Bolt		1
65	6295625	Roll Pin	3 x 16mm	1
66	6295626	Table Lock Handle		1
67	6295627	Table Tilting Worm		1
68	6295628	Shaft		1
69	6295629	Handwheel		1
70	6295630	Hex Nut	3/8"	2
71	6295631	Gear Housing		1
72	6295632	Scale		1
73	6295633	Hex Head Screw	3/16"-24 x 3/4"	2
74	6295634	Hex Nut	3/16"	2
75	6295635	Switch Plate		1
76	6295636	Switch, Fwd/Rev (3 Phase only)		1
77	6295637	Round Head Screw	3/16"-24 x 3/4"	9
78	6295638	Switch Cover		1
79	6295639	Switch, On/Off		1
80	6295640	Switch Faceplate		1
81	6295641	Tap Screw		2
82	6295642	Set Screw	1/4"-20 x 1"	1
83	6295643	Power Cord		1
84	6295644	Motor Wire		1
85	6295645	Switch Wire (3 Phase only)		1
86	6295646	Dust Chute		1
87	6295647	Cap Screw	1/4"-20 x 1/4"	2
	6295663	Miter Gauge Assembly (includes index # 88 through 98)		1
88	6295648	Guide Bar		1
89	6295649	Guide Disc		1
90	6295650	Phillip Head Screw	1/4"-20 x 1/4"	1
91	6295651	Pointer		1
92	6295652	Set Screw	1/4"-20 x 1/4"	1
93	6295653	Stop		1
94	6295654	Roll Pin	3 x 6mm	1
95	6295655	Miter Gauge Body		1
96	6295656	Knob		1
97	6295657	Round Head Screw	M4 x 0.7 x 20	3
98	6295658	Hex Nut	M4	3
99	6295659	Hex Nut	5/16"	2
100	6295660	Sponge		1

Exploded View: DS20 Disc Sander



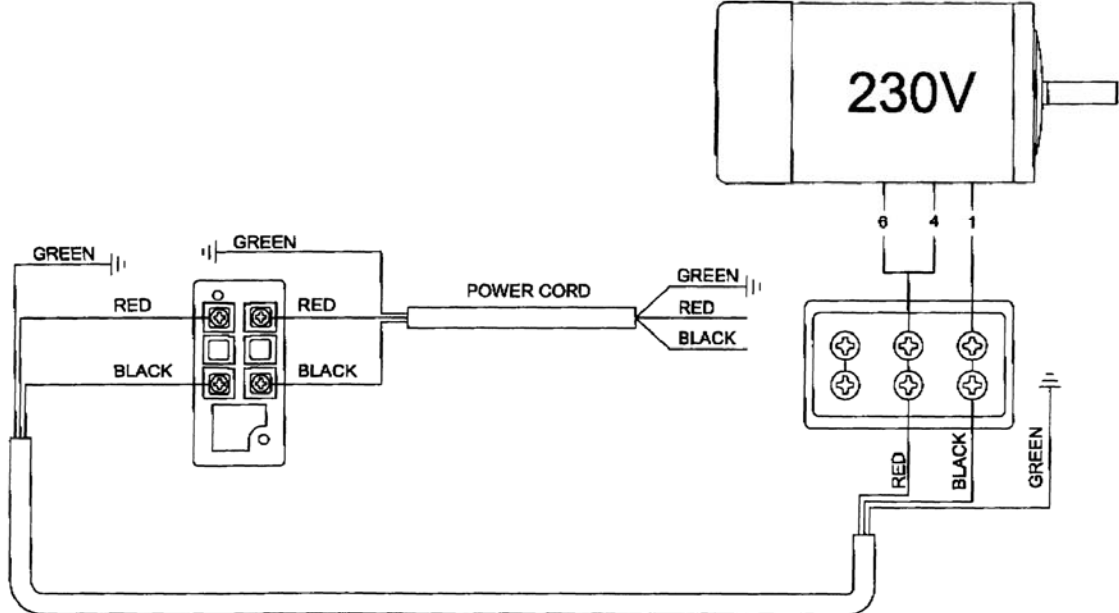
## Parts List: Brake Assembly

Index No.	Part No.	Description	Size	Qty
.....	DS20-200	Brake Assembly (includes index #1 through 12)	.....	.....
1.....	DS20-201	Brake Pad	.....	1
2.....	TS-2311081	Hex Nut	M8	1
3.....	DS20-203	Push Body	.....	1
4.....	TS-2361061	Lock Washer	M6	4
5.....	TS-1503041	Socket Head Cap Screw	M6 x 16	4
6.....	DS20-206	Bracket	.....	1
7.....	TS-1540031	Hex Nut	M5	1
8.....	TS-2205301	Hex Cap Screw	M5 x 30	1
9.....	DS20-209	Spring	.....	1
10.....	TS-1550061	Flat Washer	M8	2
11.....	TS-2361081	Lock Washer	M8	2
12.....	TS-1504051	Socket Head Cap Screw	M8 x 25	2



# Electrical Connections

## 230V, Single Phase



## 230/460V, 3 Phase

