

# WOOD SHAPER

## Model 29

Instruction Manual & Parts List

M-0460218



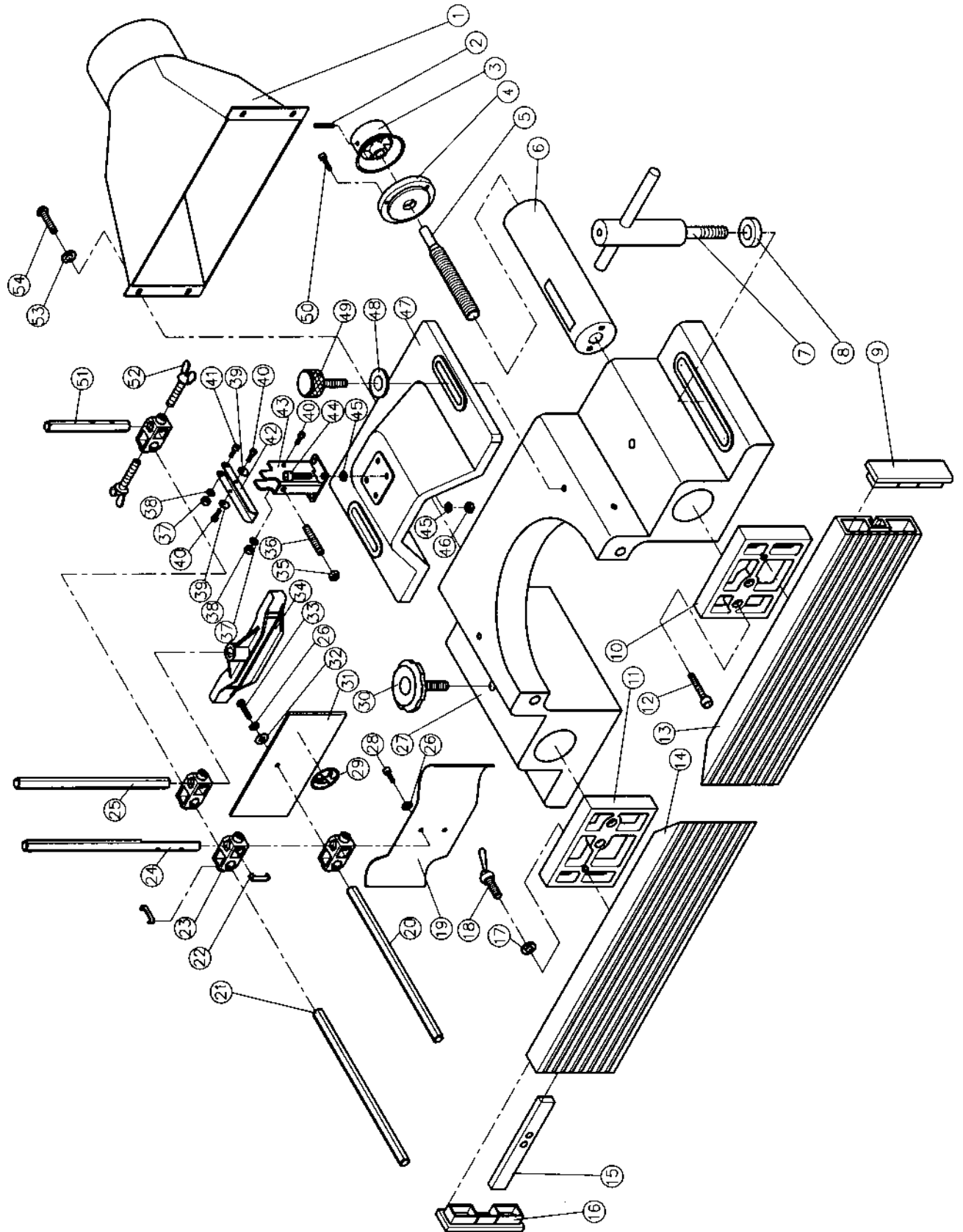
# **POWERMATIC®**

(800) 274-6848  
[www.powermatic.com](http://www.powermatic.com)

**PARTS LIST: Fence Assembly (29 Shaper)** (6293192 - Items 1 thru 18 & 35 thru 54)

NO.	PART NO.	DESCRIPTION	NO.	PART NO.	DESCRIPTION
1	6292984	CHUTE, DUST	29	6293012	LABEL, WARNING
2	6292985	SCREW, HEX. SOC. SET M8 X 20	30	6293013	KNOB, LOCK
3	6292986	KNOB, ADJUSTMENT	31	6293014	SHIELD
4	6292987	PLATE	32	6293009	WASHER, SPRING M6
5	6292988	SCREW, ADJ.	33	6293015	SCREW, CHEESE HD. M6 X 20
6	6292989	RAM	34	6293016	GUIDE
7	6292990	HANDLE, LOCK	35	6293017	NUT, HEX. M8
8	6292991	WASHER	36	6293018	SCREW, HEX. SOC. SET M8 X 35
9	6292992	CAP, R.H.	37	6293019	WASHER, SPRING M5
10	6292993	BLOCK, R.H.	38	6293020	NUT, LOCK M5
11	6292994	BLOCK, L.H.	39	6293021	WASHER, CAM
12	6292995	SCREW, HEX. SOC. HD. M6 X 30	40	6293022	SCREW, HEX. SOC. HD. M5 X 10
13	6292996	FENCE, R.H.	42	6293023	LATCH
14	6292997	FENCE, L.H.	43	6293024	BRACKET
15	6292998	GUIDE	44	6293025	SCREW, HEX. SOC. HD. M8 X 30
16	6292999	CAP, L.H.	45	6293026	WASHER, SPRING M8
17	6293000	WASHER, FLAT M8	46	6293017	NUT, HEX. M8
18	6293001	LEVER, LOCK	47	6293027	PLATE
19	6293002	GUIDE	48	6293000	WASHER, FLAT M8
20	6293003	BAR, HORIZONTAL	49	6293028	KNOB, M8 w/ STUD
21	6293004	BAR, HORIZONTAL	50	6293029	SCREW, HEX. SOC. HD. M5 X 12
22	6293005	CLIP	51	6293030	BAR, VERTICAL
23	6293006	BLOCK	52	6293031	KNOB, w/ STUD
24	6293007	BAR, VERTICAL	53	6293000	WASHER, FLAT M8
25	6293008	BAR, VERTICAL	54	6293032	SCREW, CHEESE HD., M8 X 12
26	6293009	WASHER, SPRING M6	6293194	WORK HOLD-DOWN GUIDES	
27	6293010	BODY, FENCE		(Items 19 thru 34)	
28	6293011	SCREW, HEX. SOC. HD. M6 X 10			

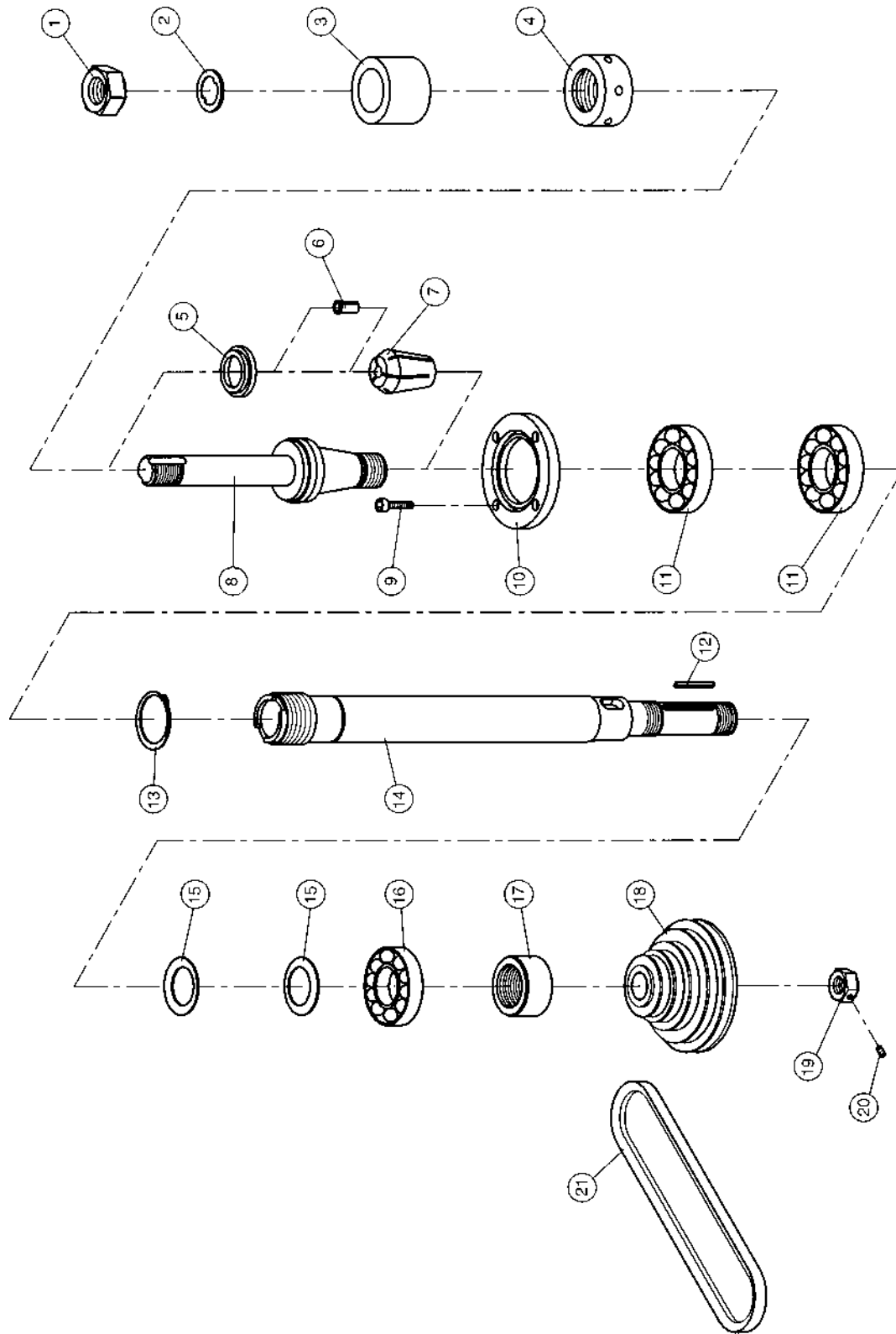
# Fence Assembly (29 Shaper)



**PARTS LIST: Spindle Assembly (29 Shaper)**

NO.	PART NO.	DESCRIPTION	NO.	PART NO.	DESCRIPTION
1	6293033	NUT, 3/4" SPINDLE	10	6293048	PLATE
	6293034	NUT, 1" SPINDLE	11	6293049	BEARING
	6293035	NUT, 1-1/4" SPINDLE	12	6293050	KEY, 6 X 54
2	6293036	WASHER, KEYED	13	6293051	RING, RETAINING
3	6293037	SET, SPACER 3/4"	14	6293052	SPINDLE
	6293038	SET, SPACER 1"	15	6293053	SPRING, DISK, 61.5 X 40.5 X 0.7
	6293039	SET, SPACER 1-1/4"	16	6293054	BEARING
4	6293040	NUT, RETAINER	17	6293055	SPACER
5	6293041	NUT, COLLET	18	6293056	PULLEY, SPINDLE
6	6293042	BUSHING, 1/4"	19	6293057	NUT
7	6293043	CHUCK, 1/2" COLLET	20	6293058	SCREW, HEX. SOC. SET, M6 X 6
8	6293044	SPINDLE, INTERCHANGEABLE 3/4"	21	6293059	BELT
	6293045	SPINDLE, INTERCHANGEABLE 1"		6293195	3/4" INTERCHANGEABLE SPINDLE ASSY. (Items 1, 2, 3, 8)
	6293046	SPINDLE, INTERCHANGEABLE 1-1/4"		6293196	1" INTERCHANGEABLE SPINDLE ASSY. (Items 1, 2, 3, 8)
9	6293047	SCREW, HEX. SOC. HD. M5 X 16		6293197	1-1/4" INTERCHANGEABLE SPINDLE ASSY. (Items 1, 2, 3, 8)

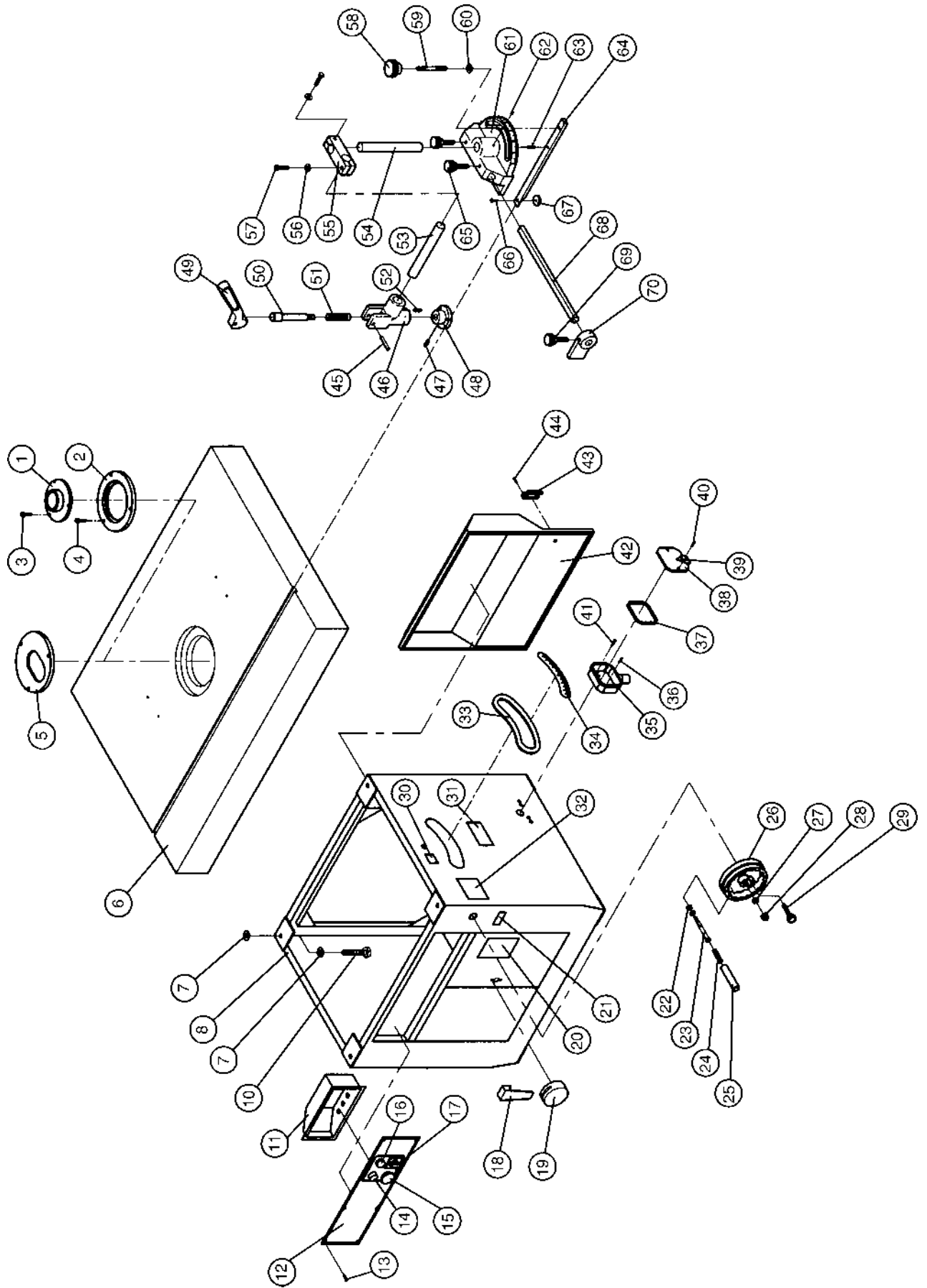
# Spindle Assembly (29 Shaper)



## PARTS LIST: Shaper Body & Mitre Gauge Assemblies (29 Shaper)

NO.	PART NO.	DESCRIPTION	NO.	PART NO.	DESCRIPTION
1	6293060	RING, INSERT	39	6293094	LABEL
2	6293061	RING, INSERT	40	6293095	SCREW, CHEESE HD. M6 X 16
3	6293029	SCREW, HEX. SOC. HD. M5 X 12	41	6293096	SCREW, CHEESE HD. M5 X 12
4	6293062	SCREW, HEX. SOC. HD. M5 X 16	42	6293097	COVER
5	6293063	RING, INSERT	43	6293098	LATCH
6	6293064	TABLE	44	6293099	SCREW, HEX. SOC. FLAT HD. M5 X 12
7	6293065	WASHER, M12	45	6293100	PIN
8	6293066	CABINET	46	6293101	BRACKET
10	6293067	SCREW, HEX. SOC. M12 X 45	47	6293102	SCREW, HEX. SOC. SET M6 X 12
11	6293068	COVER, SWITCH	48	6293103	PAD
12	6293069	PANEL	49	6293104	LEVER
13	6293070	SCREW, CHEESE HD., M4 X 10	50	6293105	PLUNGER
14	6293071	BUTTON, START	51	6293106	SPRING
15	6293072	BUTTON, STOP	52	6293107	SCREW, HEX. SOC. SET M8 X 12
16	6293073	LAMP, PILOT	53	6293108	ROD, HORIZONTAL
17	6293074	SWITCH, FWD.-REV.	54	6293109	ROD, VERTICAL
18	6293075	HANDLE	55	6293110	BLOCK
19	6293076	LATCH	56	6293111	WASHER, LOCK M10
20	6293077	LABEL	57	6293112	SCREW, HEX. SOC. M10 X 35
21	6293078	LABEL	58	6293113	KNOB
22	6293079	NUT, HEX. M10	59	6293114	STUD
23	6293080	SCREW, FIXED	60	6293115	WASHER, M10
24	6293081	SPRING	61	6293116	BODY
25	6293082	KNOB	62	6293107	SCREW, HEX. SOC. SET M8 X 12
26	6293083	HANDWHEEL	63	6293117	STUD, PIVOT
27	6293065	WASHER, M12	64	6293118	BAR, GUIDE
28	6293084	NUT, CUP M12	65	6293119	KNOB w/ STUD
29	6293085	KNOB, M8	66	6293120	SCREW, HEX. SOC. FLAT HD. M4 X 10
30	6293086	LABEL	67	6293121	NUT, RETAINER
31	6293087	LABEL	68	6293122	ROD
32	6293088	LABEL	69	6293119	KNOB w/ STUD
33	6293089	BASE, INDICATOR SCALE	70	6293123	BLOCK, STOP
34	6293090	LABEL		6293193	MITRE GAUGE ASSY. (Items 45 thru 70)
35	6293091	BASE, TERMINAL			
36	6293070	SCREW, CHEESE HD. M4 X 10			
37	6293092	SEAL			
38	6293093	COVER			

# Shaper Body & Mitre Gauge Assemblies (29 Shaper)

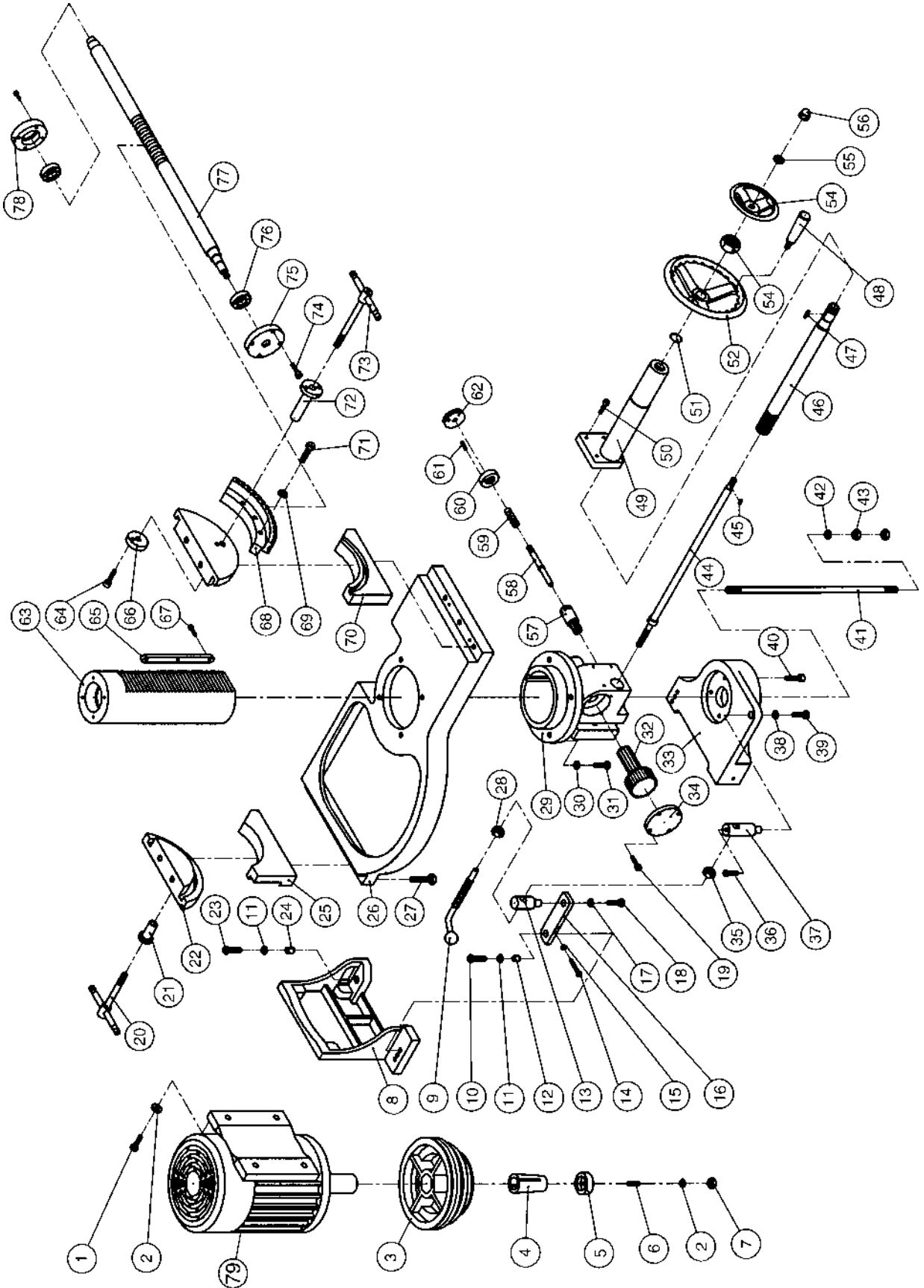


## PARTS LIST: Tilting Frame Assembly (29 Shaper)

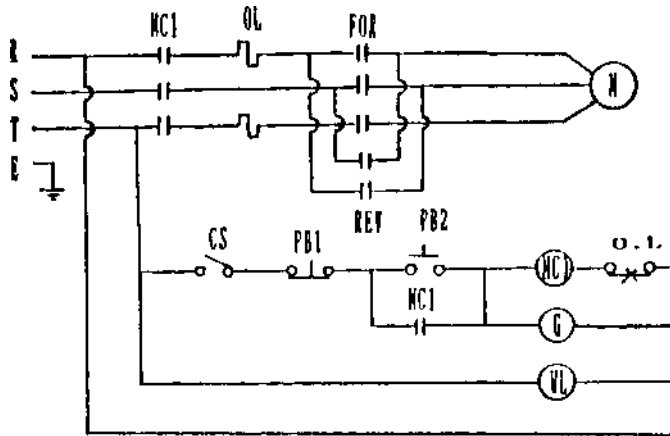
NO.	PART NO.	DESCRIPTION	NO.	PART NO.	DESCRIPTION
1	6293124	SCREW, HEX SOC. HD. M10 X 35	44	6293159	BOLT, WORM
2	6293115	WASHER, M10	45	6293160	KEY, 4 X 24
3	6293125	PULLEY MOTOR	46	6293161	SHAFT, WORM
4	6293126	BUSHING	47	6293160	KEY, 4 X 24
5	6293127	RETAINER	48	6293162	HANDLE, PLASTIC
6	6293128	SCREW, HEX. SOC. SET, M10 X 35	49	6293163	SOCKET, FIXED
7	6293129	NUT, HEX. M10	50	6293164	SCREW, HEX. SOC. HD M6 X 30
8	6293130	PLATE, MOTOR	51	6293165	RING, RETAINING
9	6293131	HANDLE, ADJ. BELT	52	6293166	HANDWHEEL
10	6293132	SCREW, HEX. SOC. HD M10 X 30	53	6293167	NUT, HEX. M25
11	6293115	WASHER, M10	54	6293168	HANDWHEEL
12	6293133	SPACER	55	6293169	WASHER, 1/2"
13	6293134	STUD	56	6293170	NUT, CAP 1/2"
14	6293135	SCREW, CHEESE HD. M8 X 16	57	6293171	BUSHING
15	6293017	NUT, HEX. M8	58	6293172	SHAFT
16	6293136	LINK	59	6293173	SPRING
17	6293000	WASHER, M8	60	6293174	NUT
18	6293025	SCREW, HEX. SOC. HD. M8 X 30	61	6293175	SCREW, HEX. SOC. SET M6 X 25
19	6293062	SCREW, HEX. SOC. HD. M5 X 16	62	6293176	KNOB
20	6293137	HANDLE, L.H.	63	6293177	SLEEVE
21	6293138	BUSHING, L.H.	64	6293178	SCREW, HEX. SOC. HD M6 X 16
22	6293139	FRAME, INCLINING	65	6293179	KEY
23	6293140	SCREW, HEX SOC. HD. M10 X 50	66	6293180	NUT, FIXED
24	6293141	SPACER	67	6293181	SCREW, HEX. SOC. HD M4 X 16
25	6293142	FRAME, INCLINING, L.H.	68	6293182	GEAR
26	6293143	BOARD, SLOPE	69	6293000	WASHER, M8
27	6293144	SCREW, HEX. SOC. HD M10 X 25	70	6293183	FRAME, INCLINING R.H.
28	6293145	NUT, HEX. M16	71	6293184	SCREW, HEX. SOC. HD M8 X 40
29	6293146	SUPPORT	72	6293185	BUSHING, R.H.
30	6293115	WASHER, M10	73	6293186	HANDLE, R.H.
31	6293147	SCREW, HEX SOC. HD. M10 X 45	74	6293187	SCREW, HEX. SOC. HD M5 X 22
32	6293148	GEAR	75	6293188	COVER
33	6293149	PLATE, MOTOR	76	6293189	BEARING
34	6293150	COVER, WORM	77	6293190	SHAFT, WORM
35	6293151	NUT, HEX. M16	78	6293191	COVER
36	6293152	SCREW, HEX. SOC. HD M8 X 10	79	6292983	MOTOR, 5 HP 3 Ph
37	6293153	STUD		6292982	BOX, CONTROL
38	6293000	WASHER, M8		6292978	WRENCH, SPANNER
39	6293154	SCREW, HEX. SOC. HD M8 X 16		6292979	WRENCH, 41mm, 1-1/4" SPINDLE
40	6293155	SCREW, HEX. SOC. HD M8 X 20		6292980	WRENCH, 38mm, 1" SPINDLE
41	6293156	BOLT, DRAW		6292981	WRENCH, 32mm, 3/4" SPINDLE
42	6293157	WASHER		6292975	BOX, TOOL (6 pc. set open-end wrenches, grease gun, hex key wrench set)
43	6293158	NUT, HEX. M12			



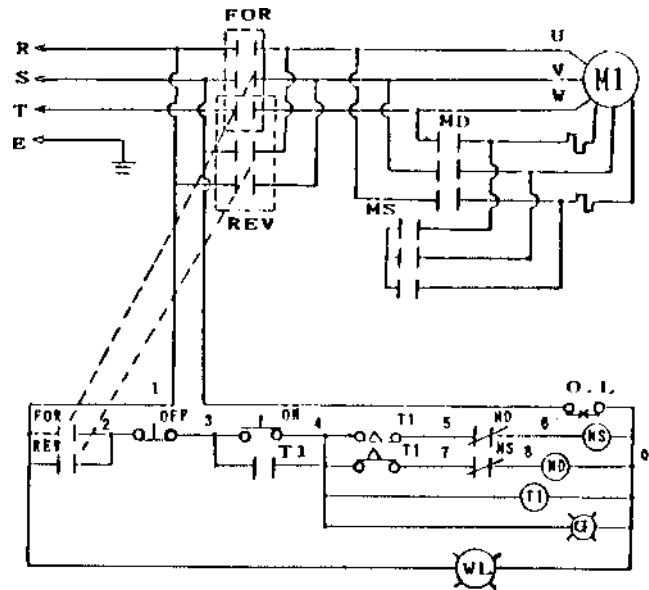
# Tilting Frame Assembly (29 Shaper)



# ELECTRICAL SCHEMATIC: Model 29 Tilting Shaper



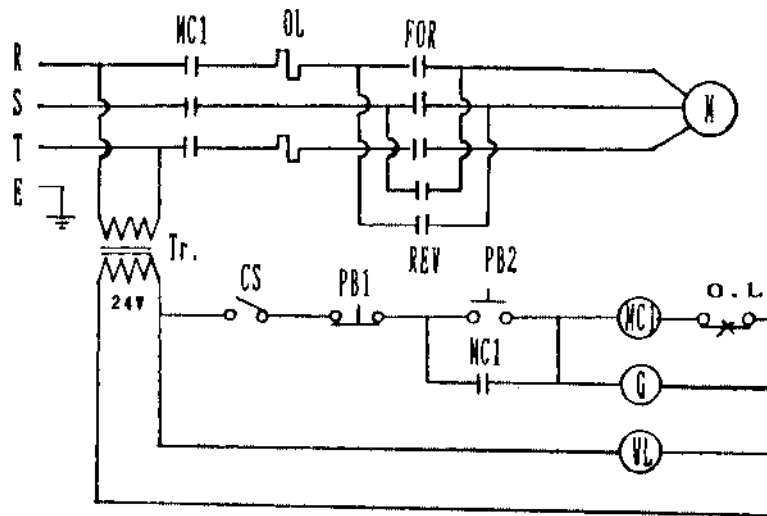
THREE PHASE



Y-Δ START  
(2-STEP SWITCH)

PART NO.	DESCRIPTION	TYPE	SPECIFICATION
6293074	FOR-REV SWITCH	CS	25A 1a
6293072	STOP	PB1	10A 250VAC 1b
6293071	START	PB2	10A 250VAC 1a
6292977	MAGNETIC CONTACTOR	MC1	MA15
6292976	THERMAL RELAY	O.L.	RH-15
6293073	PILOT LAMP	WL	

# ELECTRICAL SCHEMATIC: Model 29 Tilting Shaper



**THREE PHASE  
24V**

PART NO.	DESCRIPTION	TYPE	SPECIFICATION
6293200	CONTROL CIRCUIT TRANSFORMER	Tr.	PT54
6293074	FOR-REV SWITCH	CS	25A 1a
6293072	STOP	PB1	10A 250VAC 1b
6293071	START	PB2	10A 250VAC 1a
6292974	MAGNETIC CONTACTOR	MC1	MA15 24VAC
6292976	THERMAL RELAY	O.L.	RH-15
6292973	PILOT LAMP	WL	24VAC

## **OPTIONAL ACCESSORIES** Model 29 Tilting Shaper

6293198 1" Spindle Assembly, 6" under the nut.  
6293199 1-1/4" Spindle Assembly, 6" under the nut.  
6293200 460V transformer.

To order parts or reach our service department, please call our toll-free number between 8:00 a.m. and 4:30 p.m. (CST), Monday through Friday. Having the Model Number and Serial Number of your machine available when you call will allow us to serve you quickly and accurately. Locating the stock number of the part(s) required from your parts manual will also expedite your order.

Phone No.: (800) 274-6848

Fax No. (800) 274-6840

If you are calling from Canada, please call 800-238-4746

E-mail: [powermatic@powermatic.com](mailto:powermatic@powermatic.com)

Website: [www.powermatic.com](http://www.powermatic.com)

# ***POWERMATIC***<sup>®</sup>

JET Equipment & Tools  
P.O. Box 1349  
Auburn, WA 98071-1349  
Phone: (800) 274-6848  
Fax: (800) 274-6840  
E-mail: [powermatic@powermatic.com](mailto:powermatic@powermatic.com)  
Website: [www.powermatic.com](http://www.powermatic.com)