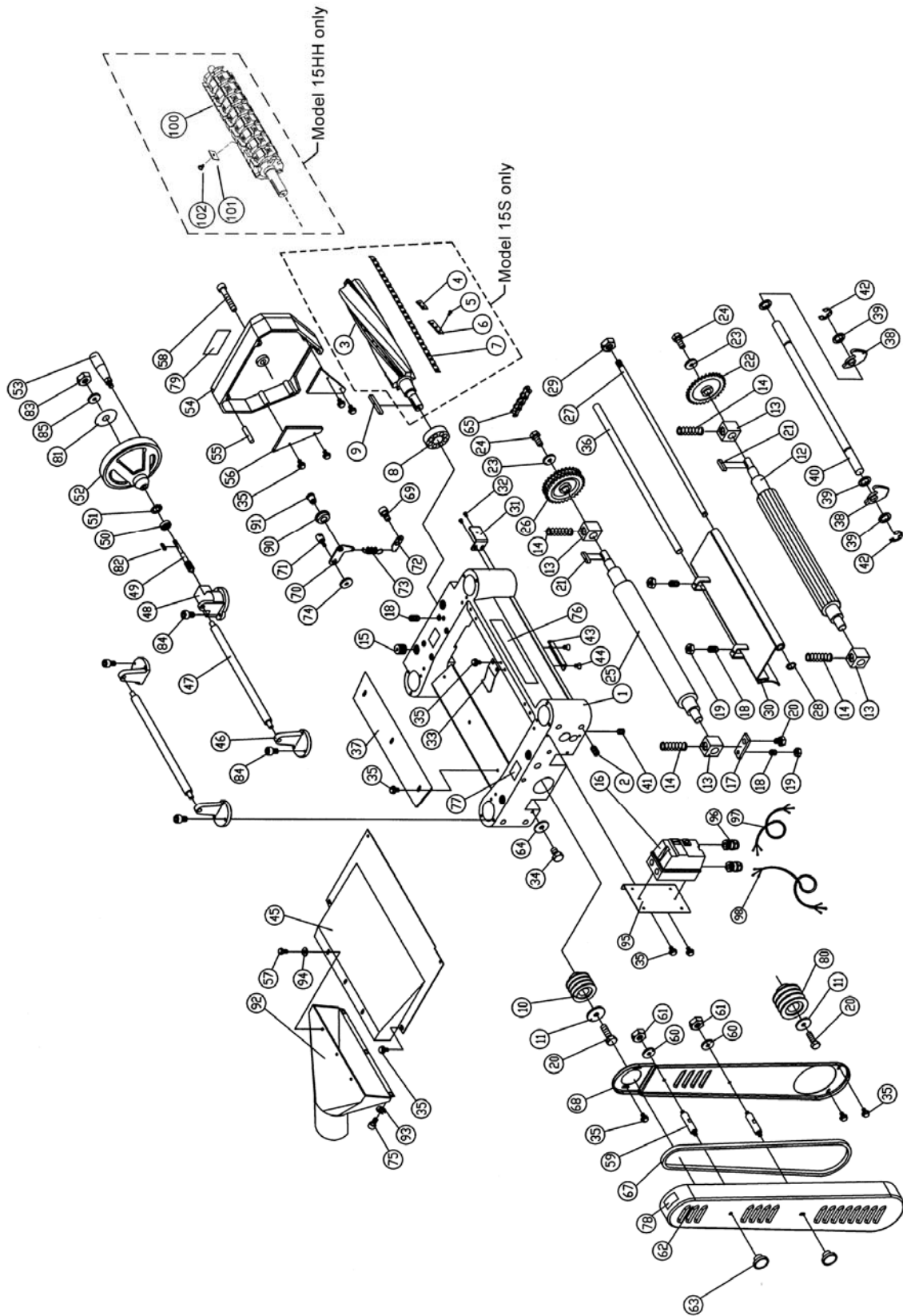


# Head Assembly



## Parts List: Head Assembly

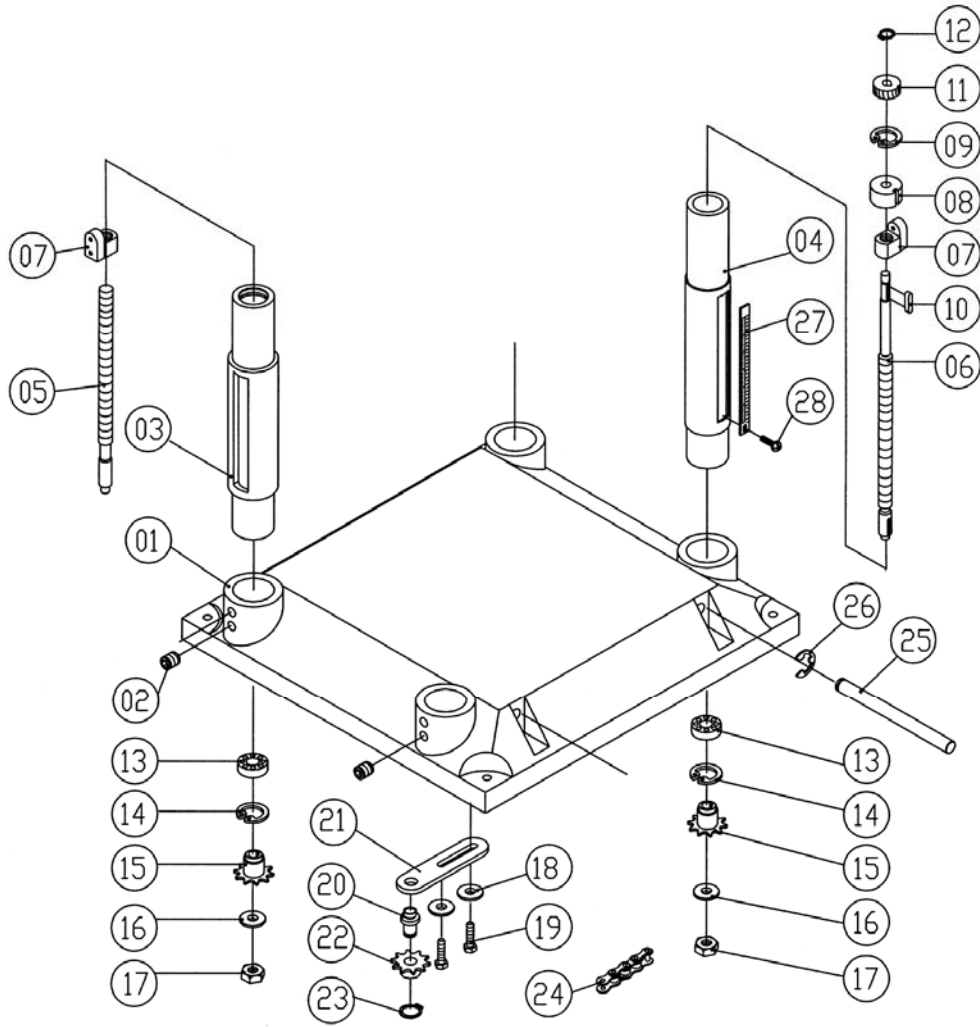
Index No.	Part No.	Description	Size	Qty
	15S-201	Cutterhead Assembly (Items 3 thru 9)		1
1	6284753	Roller Case		1
2	TS-1525011	Socket Set Screw	M10x10	8
3	15S-203	Spiral Cutterhead*		1
4	15S-204	Short Gib*		3
5	15S-205	Hex Socket Round Head Screw*	M6x1.0Px14L	42
6	15S-206	Long Gib*		12
7	15S-207	Spiral Knife*		3
8	6284759	Bearing	6205-2NSE	1
9	6284760	Key	8x8x36	1
10	6284761	Driven Pulley		1
11	TS-1550061	Flat Washer	M8	2
12	6284763	Infeed Roller		1
13	6284764	Retaining Bracket		4
14	6284765	Spring		4
15	6284766	Screw	M22-1.5Px20L	4
16	15S-216A	Magnetic Switch	3HP, 1PH, 230V	1
	15S-216AC	Contactora (not shown)	3HP, 1PH, 230V	1
	15S-216AO	Overload (not shown)	3HP, 1PH, 230V	1
17	6284767	Bracket		4
18	TS-1523051	Socket Set Screw	M6x16	7
19	TS-1540041	Hex Nut	M6-1.0P	6
20	TS-1490041	Hex Cap Screw	M8x25	2
21	6284770	Key	5x5x22	2
22	6284771	Sprocket	31T	1
23	TS-1550041	Flat Washer	M6	2
24	TS-1482031	Hex Cap Screw	M6x16	2
25	6284774	Outfeed Roller		1
26	6284775	Sprocket	1T	1
27	6284776	Shaft		1
28	6284777	Retaining Ring	TW-12	1
29	TS-1540081	Hex Nut	M12	1
30	6284779	Chip Breaker		1
31	15S-231	Plate*		1
32	15S-232	Screw*	5-0.8Px8L	2
33	6284780	Bracket		3
34	TS-1482021	Hex Cap Screw	M6x12	4
35	6284781	Hex Cap Screw With Washer	M6-1.0Px12L	23
36	6284782	Chip Deflector Shaft		1
37	6284783	Chip Deflector Plate		1
38	6284784	Anti-Kickback Pawl		39
39	6284785	Spacer		40
40	6284786	Shaft		1
41	TS-1524031	Socket Set Screw	M8	1
42	6284788	E-Ring	ETW-15	2
43	6284789	Depth Limiter		1
44	6284790	Phillips Flat Head Machine Screw	M5-0.8Px8L	2
45	6284791	Dust Cover		1
	6284792	Roller Assembly		1
46	6284793	Roller Bracket		3
47	6284794	Roller		2
48	6284795	Worm Gearbox		1
49	6284796	Worm Gear		1
50	6284797	Bearing		1
51	6284798	Retaining Ring	RTW-30	1
52	6284799	Handwheel		1

\* Index Nos. 3, 4, 5, 6, 7, 31 and 32 are used only on the Model 15S Planer.

53	6284828	Handle	3/8-16NC	1
54	6284700	Cover		1
55	6284701	Spring Pin	6-20	2
56	6284702	Plate		2
57	TS-1481021	Hex Cap Screw	M5x10	3
58	TS-1504091	Socket Head Cap Screw	M8x45	1
59	6284804	Stud		2
60	TS-0680031	Flat Washer	5/16	2
61	TS-0561021	Hex Nut	5/16-18	2
62	15S-262	Pulley Cover		1
63	6284808	Nut		2
64	TS-1550061	Flat Washer	M8	4
65	6284810	Chain	06B-63	1
67	6284811	Belt	M59	3
68	6284812	Guard, Pulley		1
69	TS-1503021	Socket Head Cap Screw	M6x10	2
70	6284814	Bracket		1
71	6284815	Shaft		1
72	6284818	Hanger		1
73	6284819	Spring	1.2	1
74	6284720	Flat Washer	8.2x22x4.5T	1
75	TS-1503031	Socket Head Cap Screw	M6x12	3
76	6284820	Warning Label		1
77	6284821	Lubrication Label		2
78	15S-278	Warning Label		1
79	6284823	Speed Label		1
80	6284824	Motor Pulley		1
81	6284830	Handwheel Direction Label		1
82	6284712	Key	4x4x10	1
83	TS-1540071	Hex Nut	M10	1
84	TS-1503051	Socket Head Cap Screw	M6x20	12
85	6284718	Flat Washer	10x20x1.5T	1
90	6284816	Idle Pulley		1
91	6284817	Shaft		1
92	6284825	Dust Hood		1
93	TS-2361061	Lock Washer	M6	3
94	TS-1550031	Flat Washer	M5	3
95	15S-295	Switch Plate		3
96	15S-296	Strain Relief		3
97	15S-297	Motor Cord		3
98	15S-298	Power Cord		3
99	15S-299	Knife Adjustment Pin (not shown) <i>Model 15S only</i>		2
100	1791211	Helical Cutterhead **		1
101	1791212	Knife Insert (set of 10) **		74 total
102	15HH-2102	Knife Insert Screw **	10-32x1/2 T25P	74
	15S-HK	Hardware Kit for 15S (see page 9 for items included)		

\*\* Index Nos. 100, 101 and 102 are used only on the Model 15HH Planer.

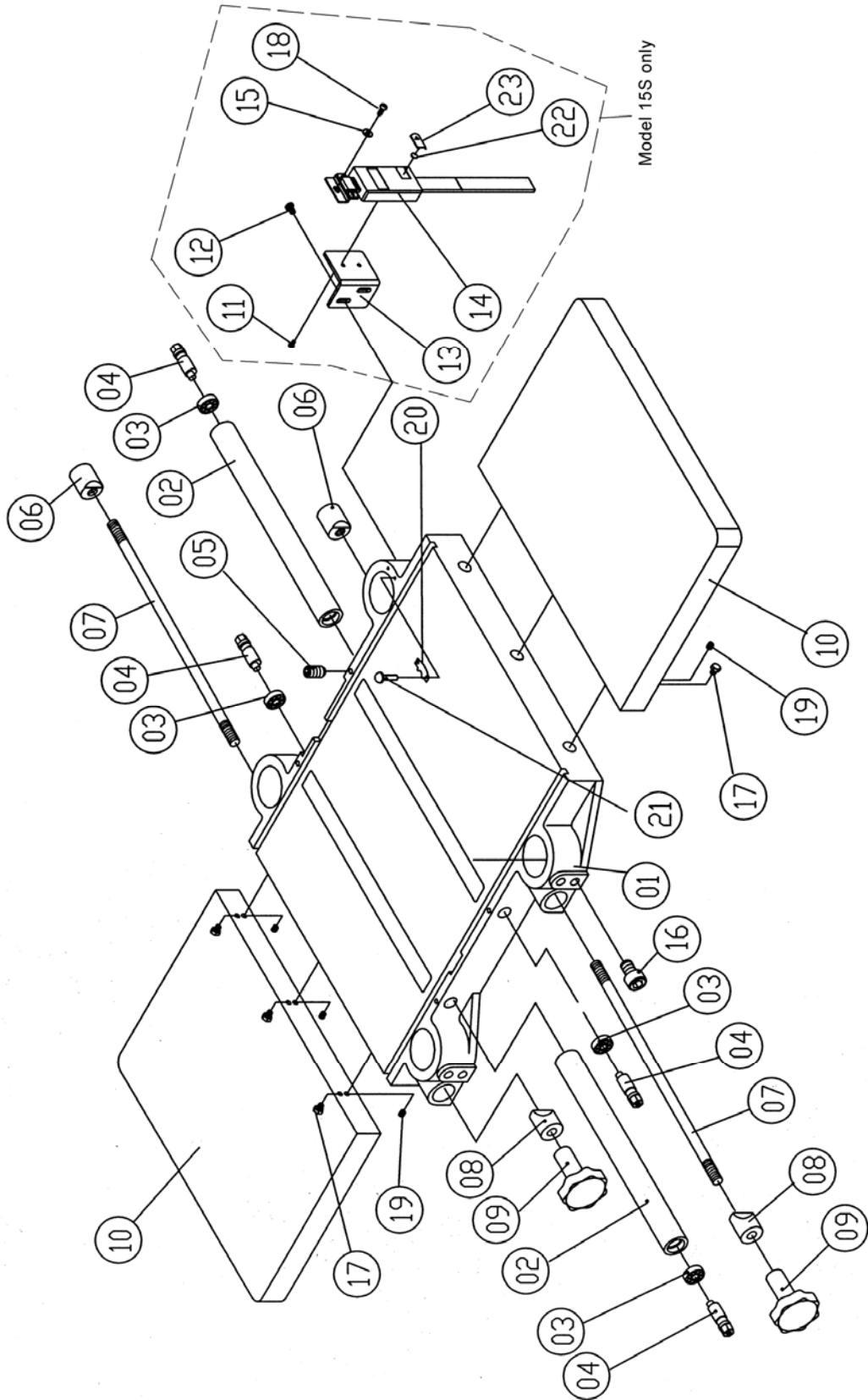
# Base Assembly



## Parts List: Base Assembly

Index No.	Part No.	Description	Size	Qty
1	6284703	Base		1
2	TS-1525021	Socket Set Screw	M10x12	8
3	6284705	Crank Case Column		3
4	6284706	Column		1
5	6284707	Lead Screw		3
6	6284708	Lead Screw Crank		1
7	6284709	Lead Nut		4
8	6284710	Bushing		1
9	6284711	Retaining Ring, Internal	RTW-38	1
10	6284712	Key	4x4x10	1
11	6284713	Gear		1
12	6284714	Retaining Ring	STW-10	1
13	6284715	Bearing	6202Z	4
14	6284716	Retaining Ring, Internal	RTW-35	4
15	6284717	Sprocket		4
16	TS-1550071	Flat Washer	M10	4
17	TS-1540071	Hex Nut	M10	4
18	TS-1550061	Flat Washer	M8	2
19	TS-1490041	Hex Cap Screw	M8x25	2
20	6284722	Shaft		1
21	6284723	Tension Bracket		1
22	6284724	Sprocket		1
23	6284725	Retaining Ring	STW-15	1
24	6284726	Chain	41x134P	1
25	6284727	Lifting Bar		4
26	6284728	E-Ring	ETW-12	4
27	6284729	Scale		1
28	6284730	Screw	M3-0.5Px6L	1

# Table Assembly

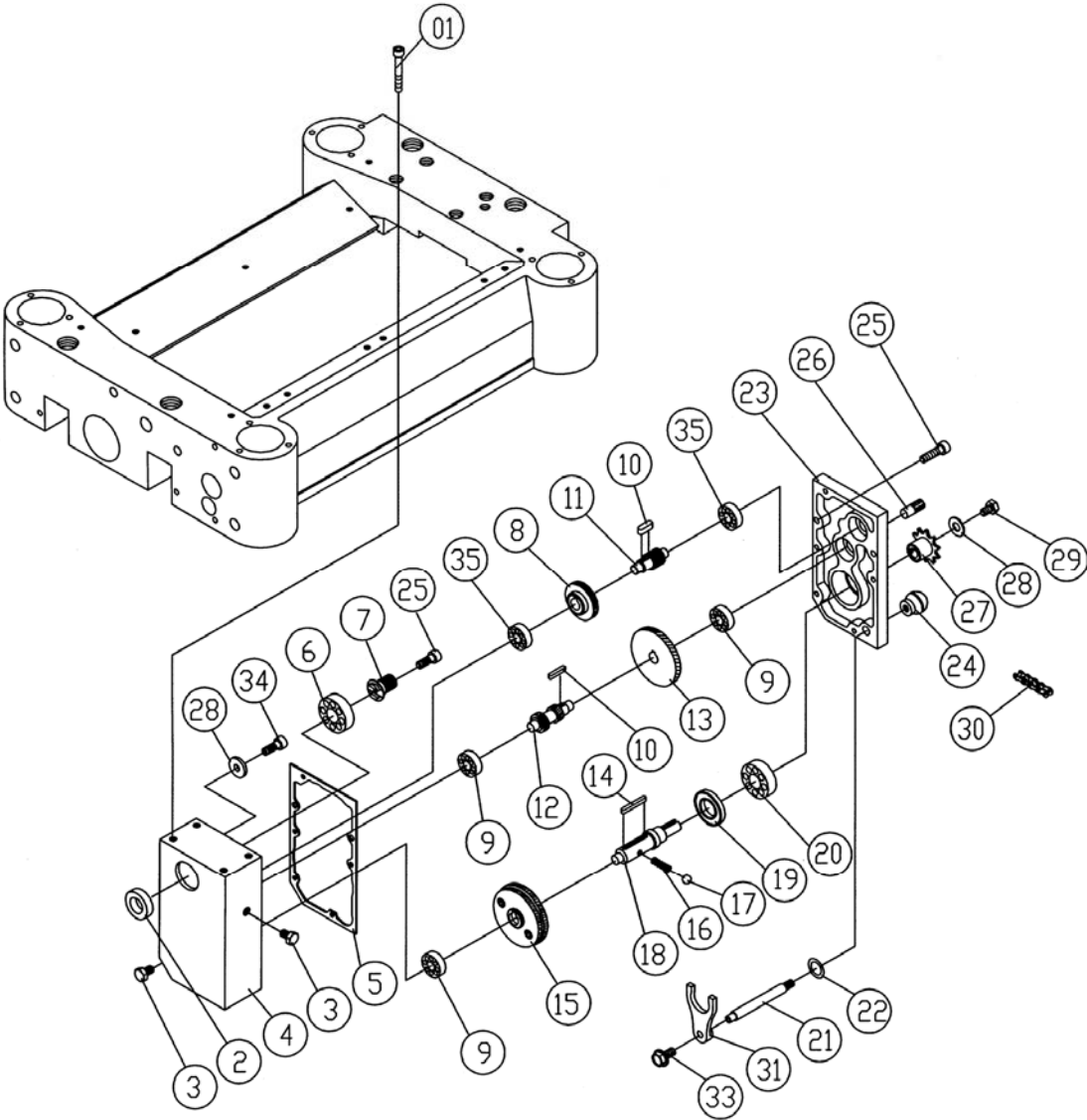


## Parts List: Table Assembly

Index No.	Part No.	Description	Size	Qty
1	15S-301	Table		1
	15S-309	Table Roller Assembly (Items 2, 3, 4)		
2	6284732	Table Roller		2
3	6284733	Bearing		4
4	6284734	Eccentric Adjuster		4
5	TS-1523041	Socket Set Screw	M6x12	4
6	6284737	Lock Nut		2
7	6284738	Threaded Shaft		2
8	6284736	Lock Bushing		2
9	6284739	Knob	M12-1.75P	2
10	15S-310	Cast Iron Table Extension		2
11	TS-1531012	Phillips Pan Head Machine Screw*	M3x6	2
12	15S-312	Screw*	M5-0.8Px8L	2
13	15S-313	Plate*		1
14	15S-314	Digital Readout*		1
15	TS-1550021	Flat Washer*	M4	1
16	TS-1503051	Socket Head Cap Screw	M6x20	8
17	TS-1490041	Hex Cap Screw	M8x25	6
18	15S-318	Screw*	M4-0.7Px8L	1
19	TS-1524021	Socket Set Screw	M8x20	6
20	6284750	Scale Pointer		1
21	6284751	Rivet		2
22	15S-600	Battery*	1.5 volt	1
23	15S-601	Battery Cover*		1
	708520	DRO Retrofit Kit * (index no. 11-15, 18, 22 and 23)		

\* Parts with an asterisk are used only on the Model 15S Planer.

# Gearbox Assembly

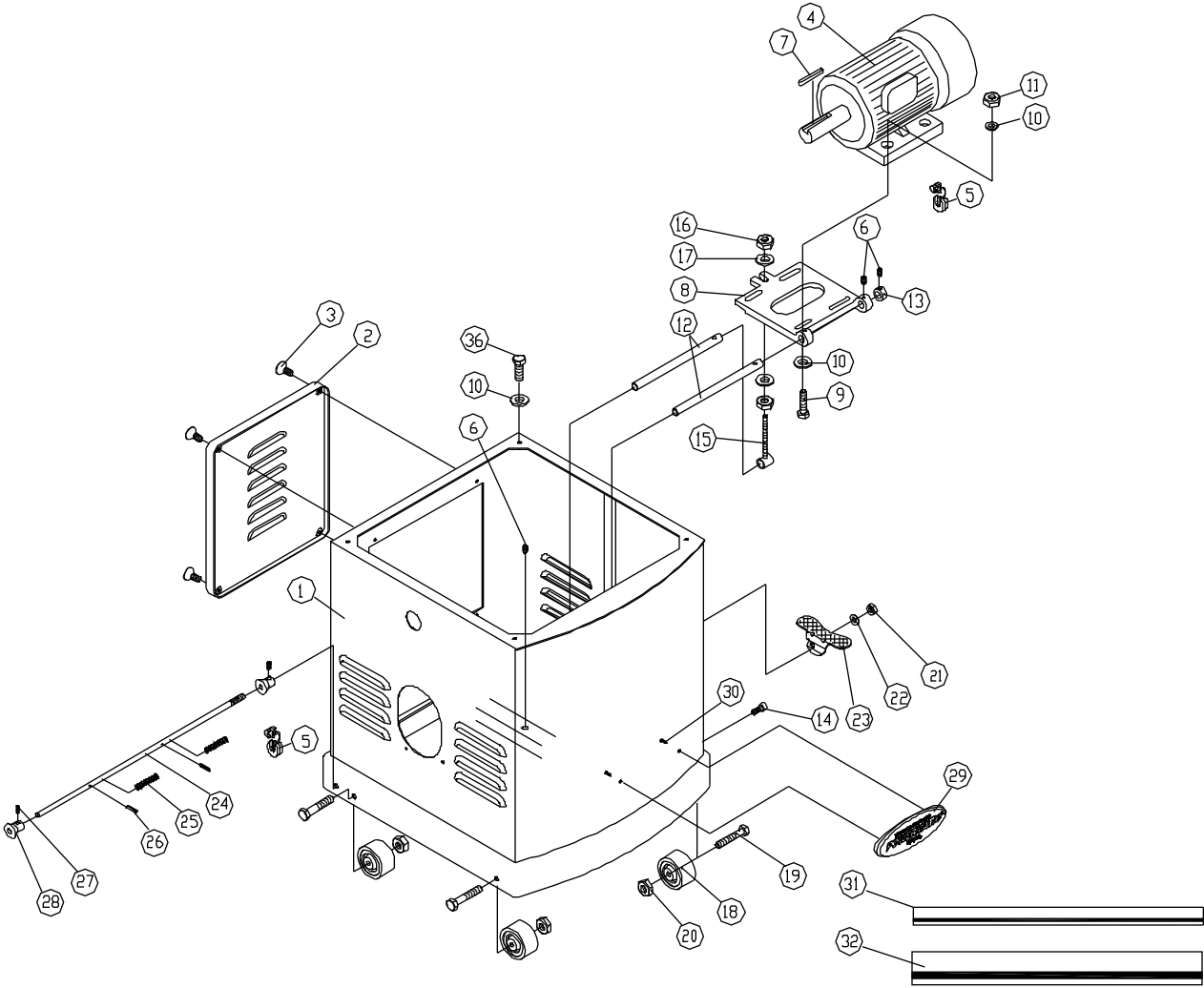




## Parts List: Gearbox Assembly

Index No.	Part No.	Description	Size	Qty
	6284842	Gearbox Assembly (Items 1 thru 35)		1
1	TS-1504101	Socket Head Cap Screw	M8x50	4
2	6284843	Oil Seal	TC28-40-8	1
3	6284844	Plug, NPT	PT1/4"-19	2
4	6284845	Gearbox		1
5	6284846	Gasket		1
6	BB-6204ZZ	Bearing	6204ZZ	1
7	6284848	Helical Gear		1
8	6284849	Gear	47T	1
9	BB-6201Z	Bearing	6201Z	3
10	6284851	Key	5x5x10	2
11	6284852	Single Geared Shaft	18T	1
12	6284853	Double Geared Shaft	18, 22T	1
13	6284854	Gear	71T	1
14	6284855	Key	6x6x40	1
15	6284856	Gear Assembly		1
16	6284857	Spring	0.6	1
17	6284858	Steel Ball	6	1
18	6284859	Gear Shaft		1
19	6284860	Oil Shaft	SC25-47-6	1
20	6284861	Bearing	6204Z	1
21	6284862	Clutch Handle		1
22	6284863	O'Ring		1
23	6284864	Gearbox Cover		1
24	6284865	Knob	32-3/8"-16NC	1
25	TS-1482051	Hex Cap Screw	M6x25	6
26	6284867	Pin		2
27	6284868	Sprocket	12T	1
28	TS-1550041	Flat Washer	M6	1
29	TS-1482031	Hex Cap Screw	M6x16	1
30	6284870	Chain	06B-47	1
31	6284871	Clutch		1
33	15S-433	Hex Head Bolt With Washer	M6-1.0Px12L	1
34	TS-1503031	Socket Head Cap Screw	M6x12	1
35	6284874	Bearing	6201	2

Cabinet Assembly



## Parts List: Cabinet Assembly

Index No.	Part No.	Description	Size	Qty
	6284875	Cabinet Assembly (Items 1 thru 29)		1
1	15S-501	Cabinet		1
2	6284877	Door		1
3	TS-2236121	Phillips Flat Head Machine Screw	M6x12	4
4	6284878	Motor		1
5	6284895	Strain Relief	SB8R-3	2
6	TS-1523041	Socket Set Screw	M6x12	4
7	6284880	Key	5x5x30	1
8	6284881	Plate, Motor		1
9	TS-1490051	Hex Cap Screw	M8x30	4
10	TS-0680031	Flat Washer	5/16	12
11	TS-1540061	Hex Nut	M8-1.25P	4
12	6284885	Pivot Bar		2
13	6284886	Spacer		1
14	TS-1503031	Socket Head Cap Screw	M6x12	1
15	6284888	Tension Bolt Assembly		1
16	6284831	Hex Nut	M10-1.25P	2
17	TS-0680061	Flat Washer	1/2	2
18	6284890	Wheel		4
19	TS-0060111	Hex Cap Screw	3/8"-16x2.5	4
20	6284892	Locking Nut	3/8"-16NC	4
21	15S-521	Locking Nut	M10-1.5P	1
22	TS-1550071	Flat Washer	M10	1
23	15S-529	Foot Brake		1
24	15S-524	Shaft		1
25	15S-525	Spring		2
26	15S-526	Roll Pin		2
27	TS-1523011	Socket Set Screw	M6x6	2
28	15S-528	Eccentric Cam		2
29	PM2000-105	Powermatic Name Plate		1
30	209-5042	Pan Head Screw	1/4-20 x 3/8	2
31	PM2700-441	Narrow Stripe		<i>sold per ft.</i>
32	PM2700-440	Wide Stripe		<i>sold per ft.</i>

# Electrical Connections – Single Phase, 230 Volt

