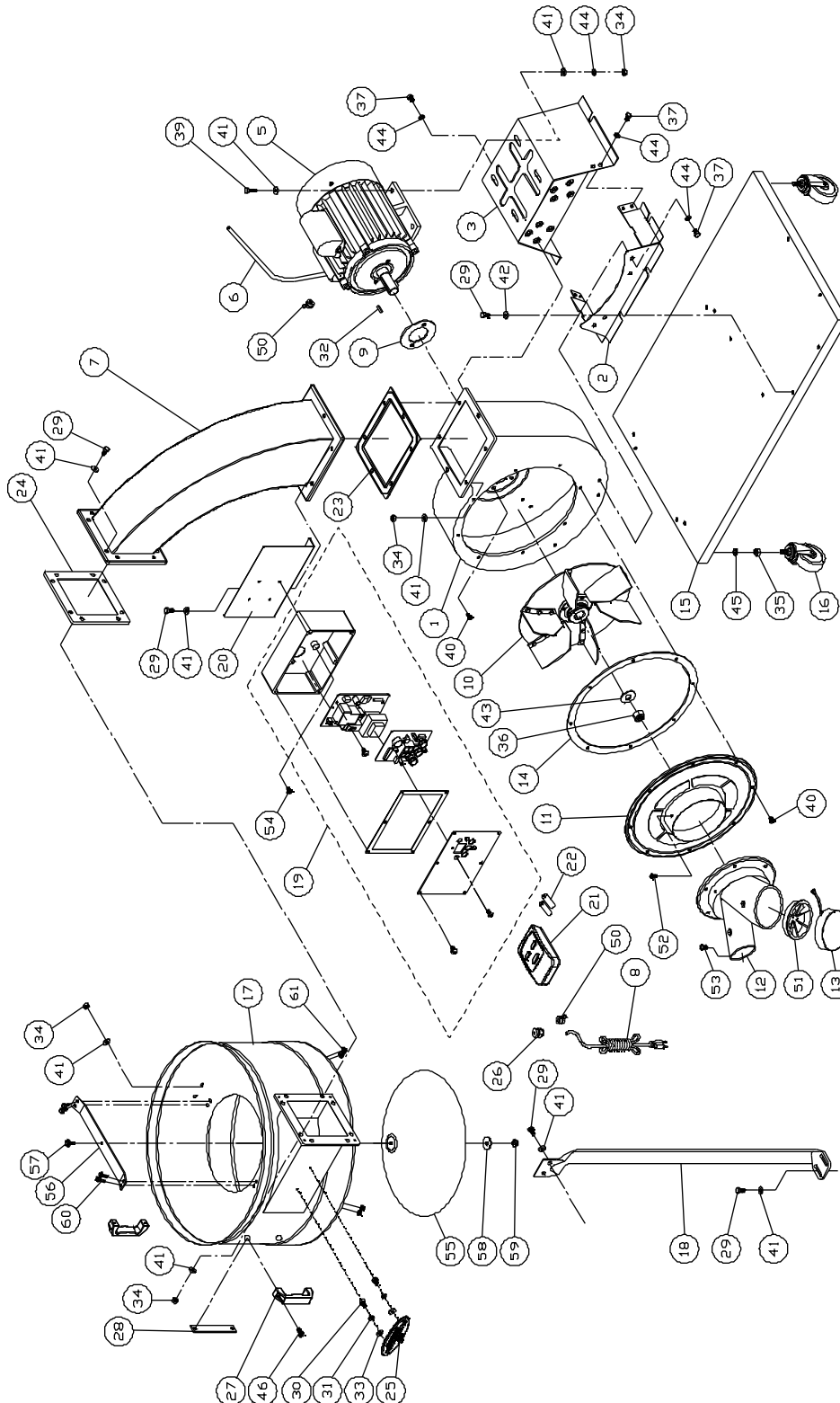


Replacement Parts

Replacement Parts are listed on the following pages. To order parts or reach our service department, call 1-800-274-6848, Monday through Friday (see our website for business hours, www.powermatic.com). Having the Model Number and Serial Number of your machine available when you call will allow us to serve you quickly and accurately.

Breakdown for PM1300TX Dust Collector (Base Machine)



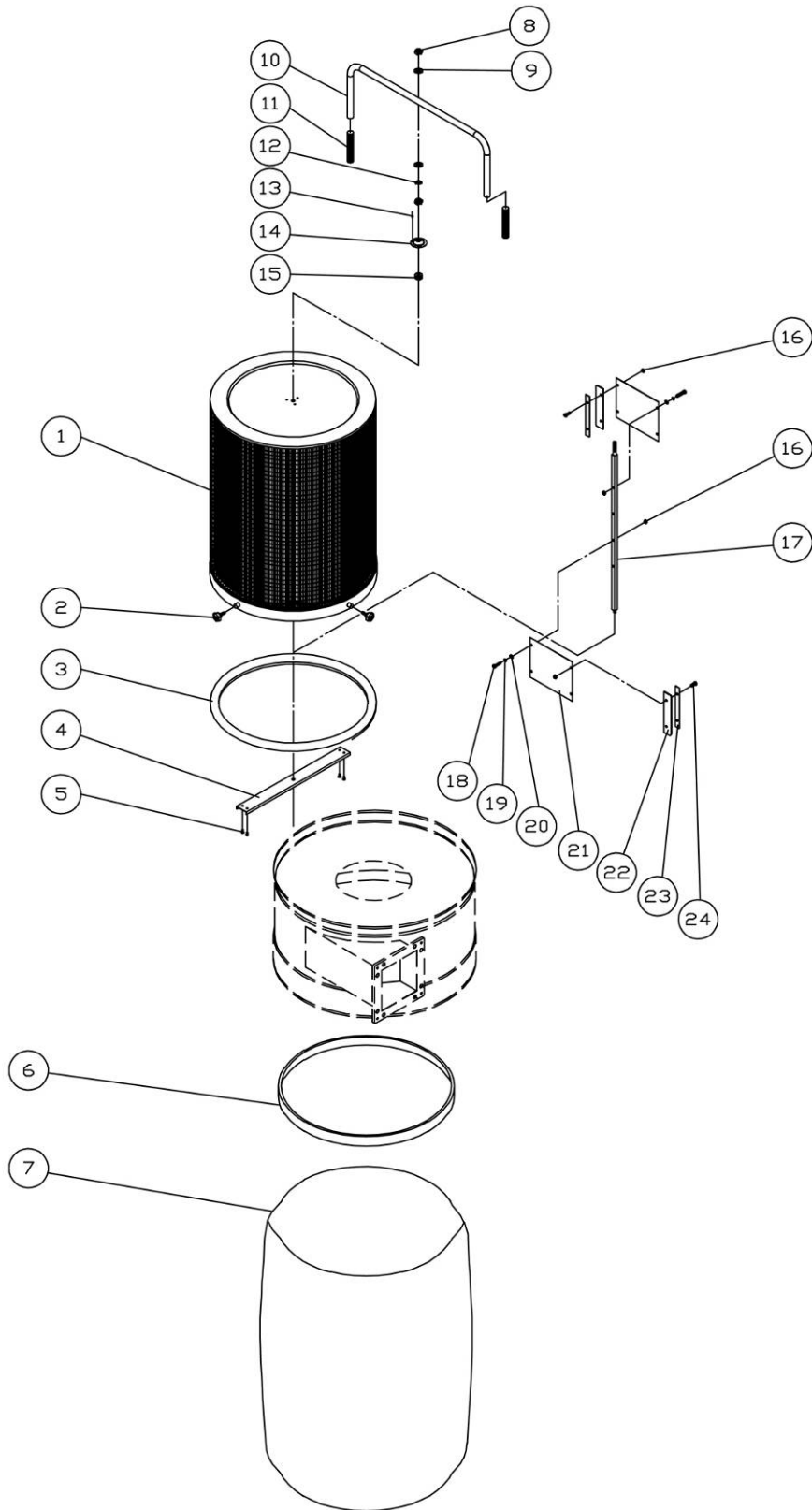
Parts List for PM1300TX Dust Collector (Base Machine)

Index No.	Part No.	Description	Size	Qty
1	PM1300-101	Impeller Housing		1
2	PM1300-102	Housing Bracket		1
3	PM1300-103	Motor Bracket		1
5	PM1300-105	Motor	1-3/4HP, 115/230V, 1Ph	1
	PM1300-105MF	Motor Fan (not shown)		1
	PM1300-105MFC	Motor Fan Cover (not shown)		1
	PM1300-105SC2	Starting Capacitor (not shown)	300MFD, 125VAC	1
	PM1300-105RC2	Running Capacitor (not shown)	90µF, 250VAC	1
	PM1300-105CS	Centrifugal Switch (not shown)		1
	PM1300-105RS	Reset Switch (not shown)	18A	1
6	PM1300-106	Motor Cord		1
7	PM1300-107	Connector Tube		1
8	PM1300-108	Power Cord	14AWG x 3C	1
9	420051	Motor Gasket		1
10	430006	Impeller	12"	1
11	PM1300-111	Inlet Guard		1
12	PM1300-112	Inlet Port	2 @ 4"	1
13	420203	Inlet Cap		2
14	430034	Rubber Gasket		1
15	PM1300-115	Base		1
16	402036	Caster		4
17	PM1300-117	Housing		1
18	PM1900-122	Support Bar		1
19	PM1300-119	Remote Control Switch Assembly	115/230V	1
19-1	DCRC-108	Switch Box		1
19-2	DCRC-105	Digital Switch		1
19-3	DCRC-106	Circuit Board		1
19-4	DCRC-104	Seal		1
19-5	DCRC-103	Switch Plate		1
19-6	PM1900-108-6	Pan Head Screw	M5x8	4
19-7	DCRC-102	Screw		3
19-8	ST039304	Tapping Screw	M3.5x12	6
19-9	DCRC-111	Tapping Screw	M3.5x10	1
	PM1900-108-10	Display Label (not shown)		1
20	PM1900-107	Mount Plate		1
21	PM1900-129	Remote Control		1
	PM1900-129-1	Remote Control Label (not shown)		1
22		Battery (<i>local purchase</i>)	AAA	2
23	430035	Rubber Gasket		1
24	430036	Rubber Gasket		1
25	PWBS14-254SN	POWERMATIC Nameplate, Small		1
26	31A-208-2	Strain Relief	PGA13.5	2
27	PM1900-127	Handle		2
28	PM1900-128	Fastening Plate		2
29	TS-1490031	Hex Cap Screw	M8x20	24
30	6714154	Hex Cap Screw	1/4-20 x 3/8	2
31	TS-2361061	Lock Washer	M6	2
32	KS050525	Key	5x5x25	1
33	TS-1550041	Flat Washer	M6	2
34	TS-1540061	Hex Nut	M8	20
35	TS-0561031	Hex Nut	3/8-16	4
36	TS-0561072	Hex Nut	5/8-18UNF	1
37	TS-1490011	Hex Cap Screw	M8x12	11
39	TS-1490041	Hex Cap Screw	M8x25	4
40	SF069300	Pan Head Flange Screw	M6x12	10
41	TS-1550061	Flat Washer	M8	42
42	TS-1550071	Flat Washer	M10	6

43	TS-155010	Flat Washer	M16	1
44	TS-2361018	Lock Washer	M8	15
45	TS-2361101	Lock Washer	M10	4
46	TS-1504021	Socket Head Cap Screw	M8x12	4
50	998621	Strain Relief		2
51	PM1300-151	Inlet Guard		2
52	990855	Pan Head Flange Screw	3/16"x1/2"	1
53	DCRC-111	Tapping Screw	M3.5x10	4
55	PM1300-155	Cone		1
56	DC1100-47-1	Support Bracket		1
57	TS-1490021	Hex Cap Screw	M8x16	1
58	TS-1550061	Flat Washer	M8	1
59	TS-1540061	Hex Nut	M8	1
60	TS-1482021	Hex Cap Screw	M6x12	4
61	TS-231061	Hex Nut	M6	4
	PM2700-440	Wide Stripe (not shown)		per ft.
	PM2700-441	Narrow Stripe (not shown)		per ft.
	PM1300-BMHP	Base Machine Hardware Package (not shown) *		1
	DC1100-HP2	Hardware Package for Cone Assembly (index # 57 thru 61)		1

* Base Machine Hardware Package includes index # 29, 34, 40, 41 and 42.

Breakdown for PM1300TX Canister Filter System



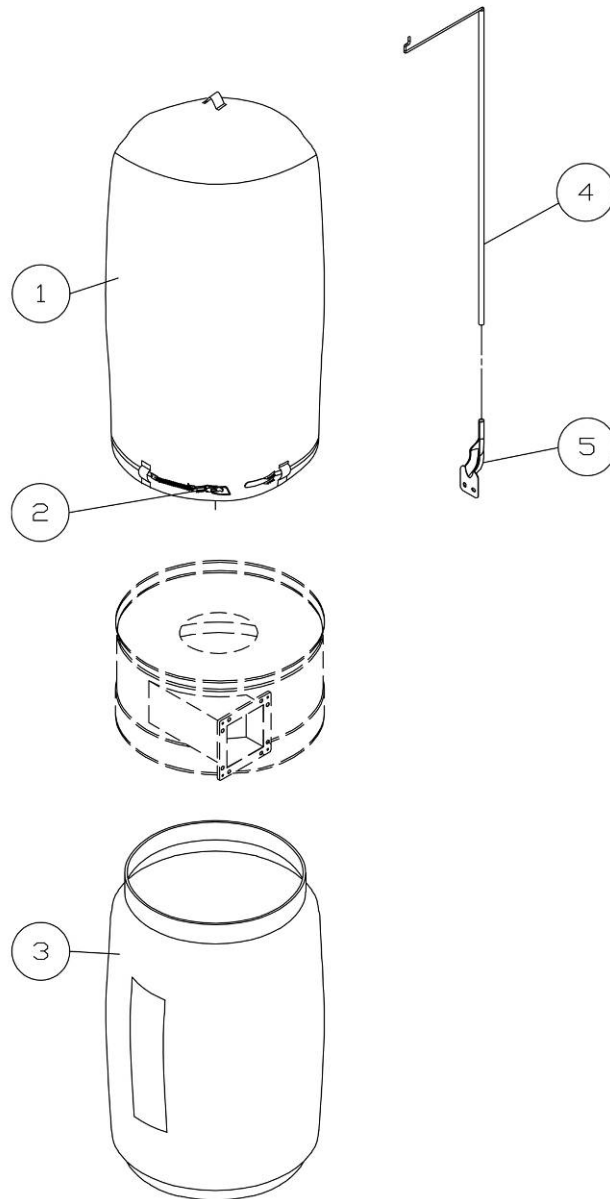
Parts List for PM1300TX Canister Filter System

Index No.	Part No.	Description	Size	Qty
.....	1791086.....	Canister Assembly (includes #1 thru 24)		1
1.....	PM1900-301.....	Filter.....		1
2.....	PM1900-302.....	Knob.....	M6x20.....	4
3.....	331031.....	Pad.....		1
4.....	331009.....	Support.....		1
5.....	ST049200	Tapping Screw	M4x8	4
6.....	331038.....	Snap Ring		1
7.....	1791087.....	Plastic Collection Bag (Package of 5).....	800x1050x0.1t mm	1
8.....	TS-1540071	Hex Nut.....	M10.....	2
9.....	TS-1550071	Flat Washer.....	M10.....	2
10.....	331050.....	Handle		1
11.....	331051.....	Soft Grip Handle		2
12.....	TS-2361101	Lock Washer	M10.....	1
13.....	BR000052.....	Rivet.....	5-2.....	3
14.....	331014.....	Bracket		1
15.....	150623.....	Rubber Mount		1
16.....	TS-1540041	Hex Nut.....	M6.....	8
17.....	331052.....	Shaft.....		1
18.....	TS-1482041	Hex Cap Screw	M6x20.....	4
19.....	TS-2361061	Lock Washer	M6.....	4
20.....	TS-1550041	Flat Washer.....	M6.....	4
21.....	331012.....	Scraper.....		2
22.....	331017.....	Plate.....		2
23.....	331015.....	Plate.....		2
24.....	TS-1482021	Hex Cap Screw	M6x12.....	4
.....	PM1300-PLO.....	Powermatic Label (not shown).....	5-1/2x14 Oval.....	1
.....	PM1900-CHP	Canister Hardware Package (not shown) *		1

*Canister Hardware Package includes index # 2, 8, 9 and 12.

Parts List for PM1300TX Filter Bag System

Index No.	Part No.	Description	Size	Qty
.....	1791077B.....	PM1300 Collection and Filter Bag (includes #1 thru 5)		1
1.....	1791077F.....	Filter Bag	30 micron.....	1
2.....	410012.....	Retainer Strap.....		1
3.....	708699A.....	Collection Bag.....		1
4.....	402040.....	Hanger.....		1
5.....	523011.....	Hanger Bracket.....		1



Electrical Connections

