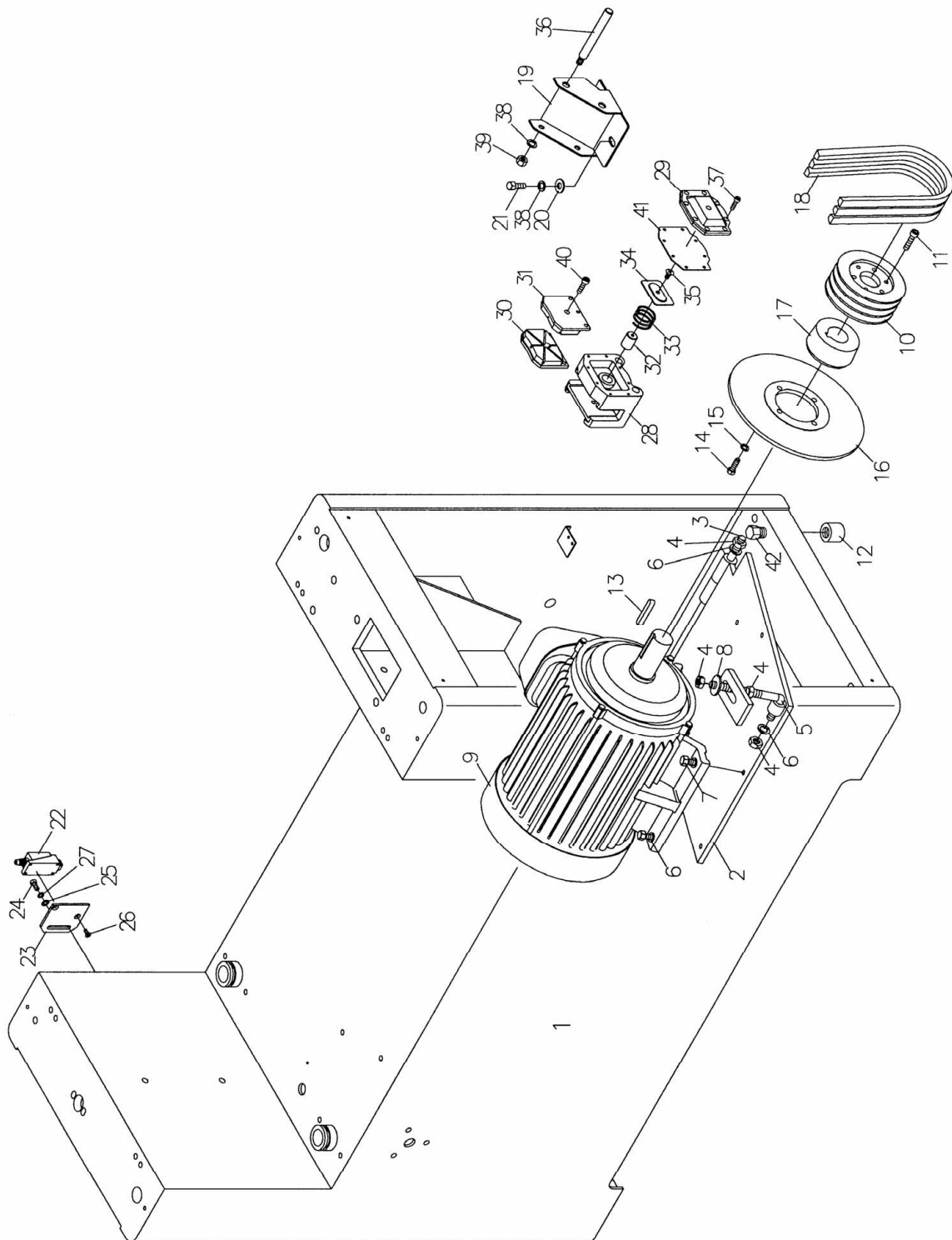


# Base and Motor Assembly – Model WB-37 ONLY

Parts list on page 27.



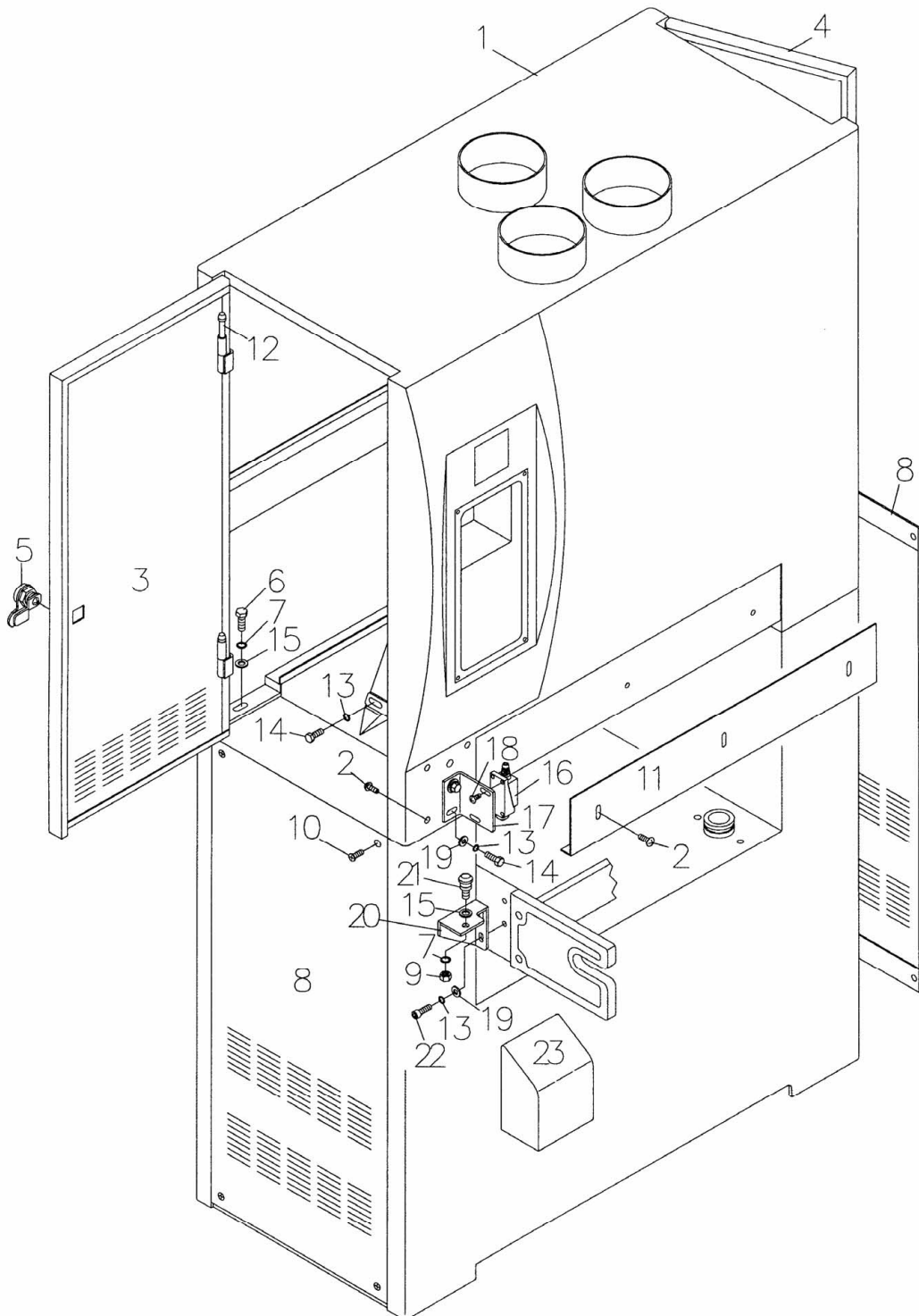
## Parts List: Base and Motor Assembly – Model WB-37

Exploded view on page 26.

Index No.	Part No.	Description	Size	Qty
1	WB37-201	Machine Base		1
2	WB37-202	Motor Plate		1
3	WB37-203	Rod		1
4	WB25-149	Hex Nut	1/2-12	4
5	WB37-205	Motor Adjusting Screw		1
6	TS-0720111	Lock Washer	1/2	6
7	WB25-701	Hex Cap Screw	1/2-12x1-1/2	4
8	TS-0680061	Flat Washer	1/2	2
9	WB37-209	Motor	20HP, 230/460V, 3Ph	1
10	WB37-210	Motor Pulley		1
11	TS-0208071	Socket Head Cap Screw	5/16-18x1-1/4	3
12	WB25-212	Leveling Nut		4
13	WB37-213	Key	8x12x105	1
14	TS-0051051	Hex Cap Screw	5/16-18x1	4
15	TS-0720081	Lock Washer	5/16	4
16	WB25-216	Disc Brake		1
17	WB37-217	Pulley Bushing		1
18	VB-B72	V-Belt	B-72	3
19	WB37-219	Brake Base		1
20	TS-0680041	Flat Washer	3/8	2
21	TS-0060031	Hex Cap Screw	3/8-16x3/4	2
22	6294280	Limit Switch		2
23	6294281	Limit Switch Plate		2
24	TS-0050021	Hex Cap Screw	1/4-20x5/8	2
25	TS-0680021	Flat Washer	1/4	2
26	WB25-131	Flat Head Screw	M5x8	4
27	TS-0720071	Lock Washer	1/4	2
28	6294284	Brake Housing		1
29	6294285	Front Cover		1
30	6294286	Brake Lining		1
31	6294661	Brake Lining		1
32	6294287	Bushing		1
33	6294288	Spring		1
34	6294289	Inner Plate		1
35	TS-081F031	Flat Head Screw	1/4-20x1/2	1
36	6294291	Pin		2
37	TS-0206041	Socket Head Cap Screw	10-24x3/4	8
38	TS-0720091	Lock Washer	3/8	3
39	TS-0561031	Hex Nut	3/8-16	2
40	TS-0207031	Socket Head Cap Screw	1/4-20x5/8	2
41	6294296	Gasket		1
42	WB25-244	Leveling Screw		4

# Upper Cabinet Assembly – Models WB-37, WB-43

Parts list on page 33.



## Parts List: Upper Cabinet Assembly – Model WB-37

Exploded view on page 32.

Index No.	Part No.	Description	Size	Qty
1	WB37-301	Upper Cabinet		1
2	TS-1534032	Pan Head Screw	M6x10	8
3	WB25-303	Upper Left Door		1
4	WB25-304	Upper Right Door		1
5	6294509	Door Lock		2
6	TS-0208041	Socket Head Cap Screw	5/16-18x3/4	4
7	TS-0720081	Lock Washer	5/16	5
8	WB25-308	Lower Door		2
9	TS-0561021	Hex Nut	5/16-18	1
10	TS-081F031	Flat Head Screw	1/4-20x1/2	8
11	WB37-311	Emergency Plate		1
12	WB25-312	Door Hinge Pin		4
13	TS-2361061	Lock Washer	M6	6
14	TS-1482021	Hex Cap Screw	M6x12	4
15	TS-0680031	Flat Washer	5/16	5
16	6294280	Limit Switch		1
17	WB25-317	Limit Switch Holder		1
18	TS-1533032	Pan Head Screw	M5x10	1
19	TS-0680021	Flat Washer	1/4	2
20	WB25-320	Fixed Bracket		1
21	WB25-321	Thickneser Post		1
22	TS-0207031	Socket Head Cap Screw	1/4-20x5/8	2
23	WB25-323	Cover		1

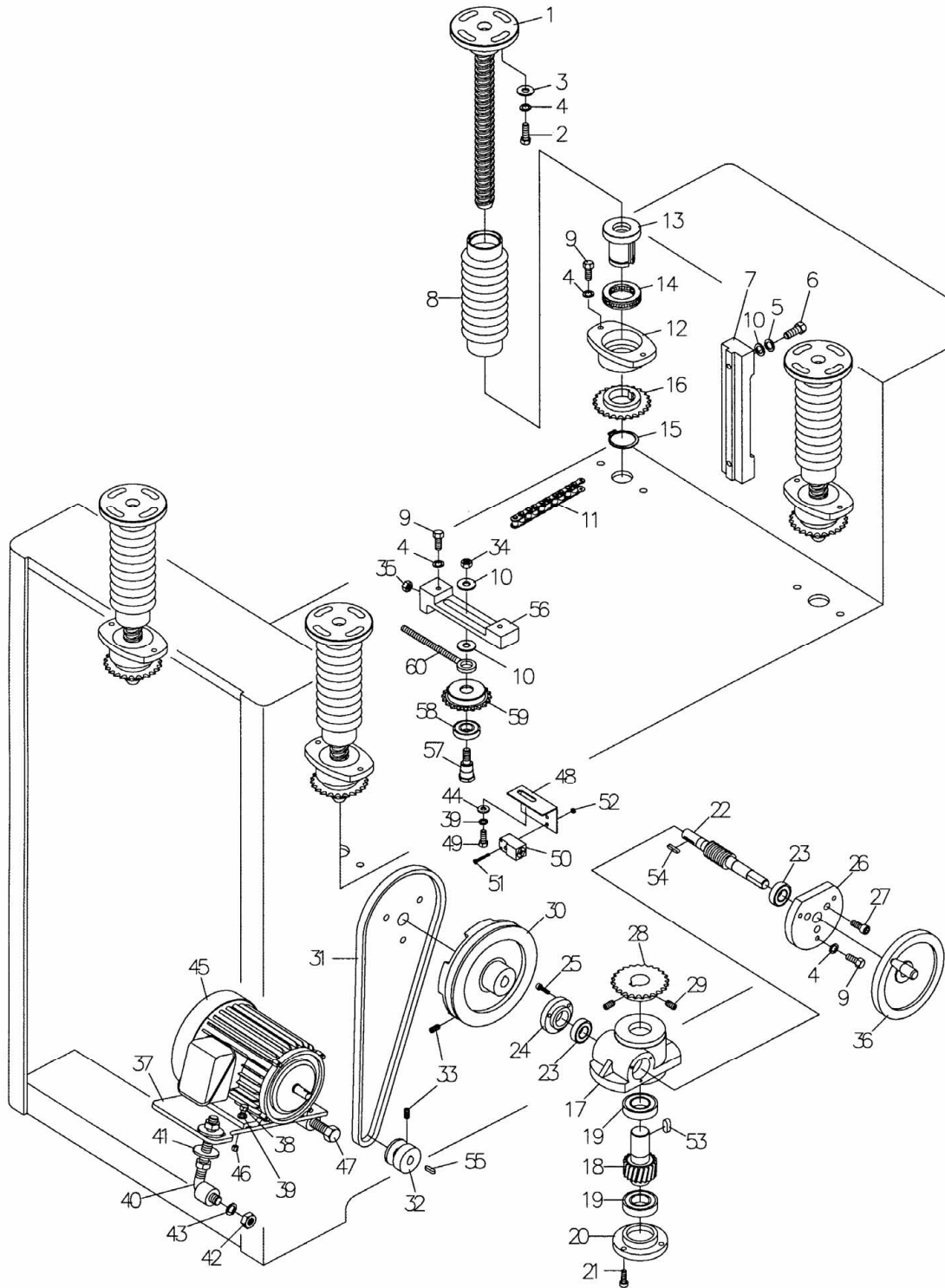
## Parts List: Upper Cabinet Assembly – Model WB-43

Exploded view on page 32.

Index No.	Part No.	Description	Size	Qty
1	WB43-301	Upper Cabinet		1
2	TS-1534032	Pan Head Screw	M6x10	8
3	WB43-303	Upper Left Door		1
4	WB43-304	Upper Right Door		1
5	6294509	Door Lock		2
6	TS-0208041	Socket Head Cap Screw	5/16-18x3/4	4
7	TS-0720081	Lock Washer	5/16	5
8	WB43-308	Lower Door		2
9	TS-0561021	Hex Nut	5/16-18	1
10	TS-081F031	Flat Head Screw	1/4-20x1/2	8
11	WB43-311	Emergency Plate		1
12	WB25-312	Door Hinge Pin		4
13	TS-2361061	Lock Washer	M6	6
14	TS-1482021	Hex Cap Screw	M6x12	4
15	TS-0680031	Flat Washer	5/16	5
16	6294280	Limit Switch		1
17	WB25-317	Limit Switch Holder		1
18	TS-1533032	Pan Head Screw	M5x10	1
19	TS-0680021	Flat Washer	1/4	2
20	WB25-320	Fixed Bracket		1
21	WB25-321	Thickneser Post		1
22	TS-0207031	Hex Socket Cap Screw	1/4-20x5/8	2
23	WB25-323	Cover		1

# Table Raising Assembly – Models WB-25, WB-37, WB-43

Parts list on page 35 (WB-25), page 36 (WB-37) and page 37 (WB-43).



56	6294340	Sprocket Wheel Adjustment Piece	1
57	6294341	Sprocket Wheel Shaft	1
58	BB-6003ZZ	Bearing	6003ZZ
59	6294343	Adjustment Sprocket Wheel	1
60	6294344	Sprocket Wheel Adjustment Rod	1

## Parts List: Table Raising Assembly – Model WB-37

Exploded view on page 34.

Index No.	Part No.	Description	Size	Qty
1	6294297	Elevation Screw		4
2	TS-0051051	Hex Cap Screw	5/16-18x1	8
3	TS-0680031	Flat Washer	5/16	8
4	TS-0720081	Lock Washer	5/16	20
5	TS-0720091	Lock Washer	3/8	4
6	TS-0060051	Hex Cap Screw	3/8-16x1	4
7	6294302	Elevation Slide		2
8	6294303	Dust Guard Bellow		4
9	TS-0081031	Hex Cap Screw	5/16-18x3/4	12
10	TS-0680041	Flat Washer	3/8	6
11	6294305	Chain		1
12	6294306	Nut Housing		4
13	6294307	Nut		4
14	6294308	Thrust Bearing		4
15	6294309	C-Circlip		4
16	6294310	Sprocket Wheel		4
17	6294311	Elevation Gearbox		1
18	6294312	Worm Gear		1
19	BB-6005Z	Ball Bearing	6005Z	2
20	6294314	Bearing Cap		1
21	TS-0207041	Socket Head Cap Screw	1/4-20x3/4	3
22	6294316	Worm Gear		1
23	BB-6002Z	Ball Bearing	6002Z	2
24	6294318	Bearing Cap		1
25	TS-0206031	Socket Head Cap Screw	10-24x5/8	3
26	6294320	Bearing Cap		1
27	TS-0207031	Socket Head Cap Screw	1/4-20x5/8	3
28	6294322	Sprocket Wheel		1
29	TS-0270051	Set Screw	5/16-18x1/2	2
30	6294324	Pulley		1
31	VB-A37	V-Belt	A-37	1
32	6294326	Motor Pulley		1
33	TS-0267051	Set Screw	1/4-20x1/2	3
34	TS-0561031	Hex Nut	3/8-16	1
35	TS-0561021	Hex Nut	5/16-18	1
36	6294330	Hand Wheel		1
37	6294331	Motor Base		1
38	TS-0050051	Hex Cap Screw	1/4-20x1	4
39	TS-0720071	Lock Washer	1/4	5
40	6294333	Motor Base Adjustment Rod		1
41	TS-0680061	Flat Washer	1/2	2
42	WB25-149	Hex Nut	1/2-12	3
43	TS-0720111	Lock Washer	1/2	2
44	TS-0680021	Flat Washer	1/4	1
45	6294334	Motor	1/4HP, 230/460V, 3Ph	1
46	TS-0561011	Hex Nut	1/4-20	4
47	WB25-447	Hex Head Screw	1/2-12x4	1

48	WB25-448	Switch Plate		1
49	TS-0050011	Hex Cap Screw	1/4-20x1/2	1
50	WB25-450	Switch		1
51	TS-2283302	Screw	M3x30	2
52	TS-1540011	Hex Nut	M3	2
53	6294337	Key	5/16x5/16x3/4	1
54	6294338	Key	4x4x20	1
55	6294339	Key	4x4x16	1
56	6294340	Sprocket Wheel Adjustment Piece		1
57	6294341	Sprocket Wheel Shaft		1
58	BB-6003ZZ	Bearing	6003ZZ	1
59	6294343	Adjustment Sprocket Wheel		1
60	6294344	Sprocket Wheel Adjustment Rod		1

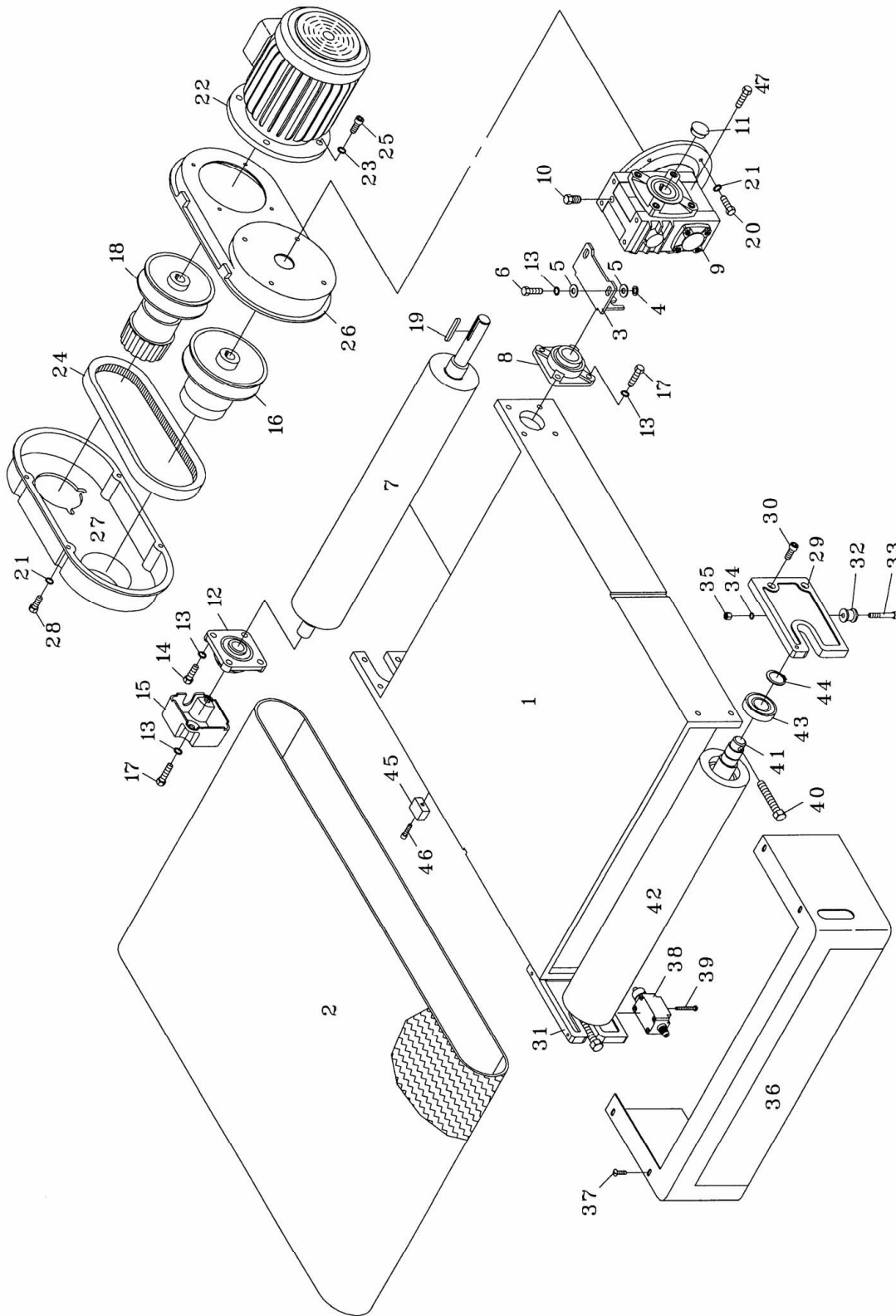
## Parts List: Table Raising Assembly – Model WB-43

Exploded view on page 34.

Index No.	Part No.	Description	Size	Qty
1	6294297	Elevation Screw		4
2	TS-0051051	Hex Cap Screw	5/16-18x1	8
3	TS-0680031	Flat Washer	5/16	8
4	TS-0720081	Lock Washer	5/16	20
5	TS-0720091	Lock Washer	3/8	4
6	TS-0060051	Hex Cap Screw	3/8-16x1	4
7	6294302	Elevation Slide		2
8	6294303	Dust Guard Bellow		4
9	TS-0081031	Hex Cap Screw	5/16-18x3/4	12
10	TS-0680041	Flat Washer	3/8	6
11	6294305	Chain		1
12	6294306	Nut Housing		4
13	6294307	Nut		4
14	6294308	Thrust Bearing		4
15	6294309	C-Circlip		4
16	6294310	Sprocket Wheel		4
17	6294311	Elevation Gearbox		1
18	6294312	Worm Gear		1
19	BB-6005Z	Ball Bearing	6005Z	2
20	6294314	Bearing Cap		1
21	TS-0207041	Socket Head Cap Screw	1/4-20x3/4	3
22	6294316	Worm Gear		1
23	BB-6002Z	Ball Bearing	6002Z	2
24	6294318	Bearing Cap		1
25	TS-0206031	Socket Head Cap Screw	10-24x5/8	3
26	6294320	Bearing Cap		1
27	TS-0207031	Socket Head Cap Screw	1/4-20x5/8	3
28	6294322	Sprocket Wheel		1
29	TS-0270051	Set Screw	5/16-18x1/2	2
30	6294324	Pulley		1
31	VB-A36	V-Belt	A-36	1
32	6294326	Motor Pulley		1
33	TS-0267051	Set Screw	1/4-20x1/2	3
34	TS-0561031	Hex Nut	3/8-16	1
35	TS-0561021	Hex Nut	5/16-18	1
36	6294330	Hand Wheel		1
37	6294331	Motor Base		1
38	TS-0050051	Hex Cap Screw	1/4-20x1	4
39	TS-0720071	Lock Washer	1/4	5

# Table and Conveyor Belt Assembly – Models WB-25, WB-37, WB-43

Parts list on page 40 (WB-25), page 41 (WB-37) and page 42 (WB-43).





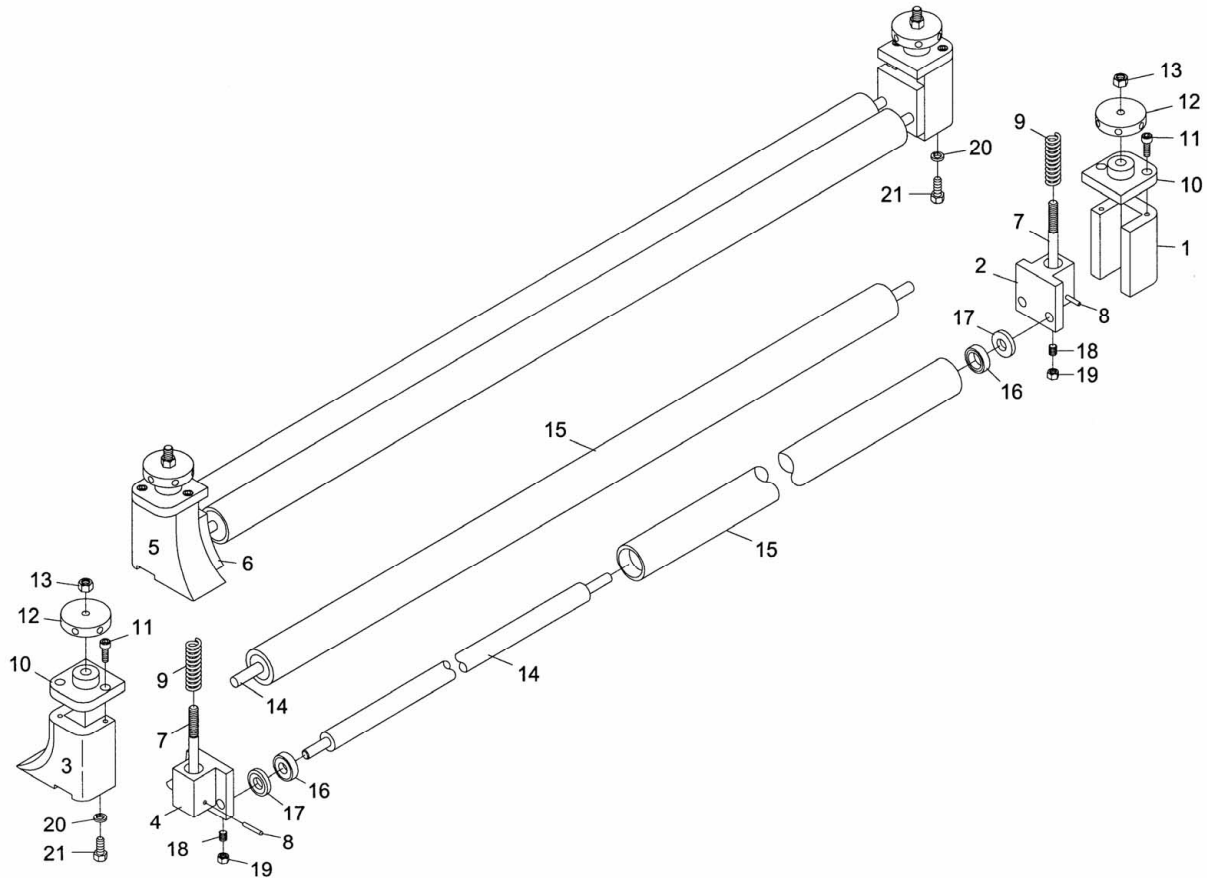
## Parts List: Table and Conveyor Belt Assembly – Model WB-37

Exploded view on page 39.

Index No.	Part No.	Description	Size	Qty
1	WB37-501	Conveyor Table		1
2	WB37-502	Conveyor Belt		1
3	WB25-503	Mounting Bracket		1
4	WB25-504	Washer		2
5	TS-1550071	Flat Washer	M10	4
6	TS-1491031	Hex Cap Screw	M10x25	2
7	WB37-507	Outfeed Roller		1
8	6294352	Bearing, Flange Mount		1
9	WB25-509	Reducer		1
10	WB25-510	Plug		3
11	WB25-511	Cover		1
12	6290231	Bearing, Flange Mount		1
13	TS-2361101	Lock Washer	M10	10
14	TS-0060061	Hex Cap Screw	3/8-16x1-1/4	2
15	6294356	Bearing Cap		1
16	WB25-516	Driven Pulley		1
17	TS-0060071	Hex Cap Screw	3/8-16x1-1/2	6
18	6294385	Driving Pulley		1
19	WB25-519	Key	8x8x55	1
20	TS-1490041	Hex Cap Screw	M8x25	4
21	TS-2361081	Lock Washer	M8	8
22	WB25-522	Motor	1HP, 230/460V, 3Ph	1
23	TS-1551071	Lock Washer	M10	4
24	WB25-524	Timing Belt		1
25	TS-1505031	Socket Head Cap Screw	M10x25	4
26	6294383	Variable Speed Unit Base Plate		1
27	6294387	Variable Speed Unit Cover		1
28	TS-1490031	Hex Cap Screw	M8x20	1
29	WB25-529	Infeed Roller Bracket, Right		1
30	TS-0209031	Socket Head Cap Screw	3/8-16x3/4	4
31	WB25-531	Infeed Roller Bracket, Left		1
32	6294372	Conveyor Belt Position Wheel		2
33	TS-0208101	Socket Head Cap Screw	5/16-18x2	2
34	TS-0720081	Lock Washer	5/16	2
35	TS-0561021	Hex Nut	5/16-18	2
36	WB37-536	Emergency Stop Cover		1
37	TS-081F032	Screw	1/4-20x1/2	4
38	6294376	Limit Switch		1
39	TS-0810102	Round Head Screw	10-24x1-3/4	2
	WB37-IRA	Infeed Roller Assembly (Includes Index #40 thru #44)		1
40	WB25-540	Adjustment Screw	1/2-12x3	2
41	WB37-541	Infeed Roller Shaft		1
42	WB37-542	Infeed Roller		1
43	BB-6206VV	Bearing	6206-2RS	2
44	6294573	C-Circlip		2
45	6294576	Elevation Aluminum Limiter		1
46	TS-0207081	Socket Head Cap Screw	1/4-20x1-1/2	1
47	WB25-547	Plug		2

## Pressure Bar Assembly – Models WB-25, WB-37, WB-43

Parts list on page 43 (WB-25) and page 44 (WB-37, WB-43).



### Parts List: Pressure Bar Assembly – Model WB-25

Index No.	Part No.	Description	Size	Qty
1.....	WB25-601.....	Roller Slider, Female.....		2
2.....	6294391.....	Roller Slider, Male.....		2
3.....	6294392.....	Front Roller Slider, Female.....		1
4.....	6294393.....	Front Roller Slider, Male.....		1
5.....	6294394.....	Back Roller Slider, Female.....		1
6.....	6294395.....	Back Roller Slider, Male.....		1
7.....	6294396.....	Roller Adjusting Screw.....		4
8.....	6294397.....	Spring Pin.....		4
9.....	6294398.....	Spring.....		4
10.....	6294399.....	Roller Slider Cover.....		4
11.....	TS-0207031.....	Socket Head Cap Screw.....	1/4-20x5/8.....	8
12.....	6294401.....	Roller Adjusting Knob.....		4
13.....	TS-0561031.....	Hex Nut.....	3/8-16.....	4
.....	WB25-PBA.....	Pressure Bar Assembly (Includes Index #14 thru #17).....		1
14.....	6288605.....	Pressure Bar Shaft.....		4
15.....	6290278.....	Pressure Bar Cover.....		4
16.....	BB-6001ZZ.....	Ball Bearing.....	6001ZZ.....	8
17.....	6294405.....	Bearing Cover.....		8
18.....	TS-0267071.....	Set Screw.....	1/4-20x3/4.....	8
19.....	TS-0561011.....	Hex Nut.....	1/4-20.....	8
20.....	TS-0720081.....	Lock Washer.....	5/16.....	8
21.....	TS-0051061.....	Hex Cap Screw.....	5/16-18x1-1/4.....	8

## Parts List: Pressure Bar Assembly – Model WB-37

Exploded view on page 43.

Index No.	Part No.	Description	Size	Qty
1	WB25-601	Roller Slider, Female		2
2	6294391	Roller Slider, Male		2
3	6294392	Front Roller Slider, Female		1
4	6294393	Front Roller Slider, Male		1
5	6294394	Back Roller Slider, Female		1
6	6294395	Back Roller Slider, Male		1
7	6294396	Roller Adjusting Screw		4
8	6294397	Spring Pin		4
9	6294398	Spring		4
10	6294399	Roller Slider Cover		4
11	TS-0207031	Socket Head Cap Screw	1/4-20x5/8	8
12	6294401	Roller Adjusting Knob		4
13	TS-0561031	Hex Nut	3/8-16	4
	WB37-PBA	Pressure Bar Assembly (Includes Index #14 thru #17)		1
14	6288705	Pressure Bar Shaft		4
15	6288723	Pressure Bar Cover		4
16	BB-6001ZZ	Ball Bearing	6001ZZ	8
17	6294405	Bearing Cover		8
18	TS-0267071	Set Screw	1/4-20x3/4	8
19	TS-0561011	Hex Nut	1/4-20	8
20	TS-0720081	Lock Washer	5/16	8
21	TS-0051061	Hex Head Screw	5/16-18x1-1/4	8

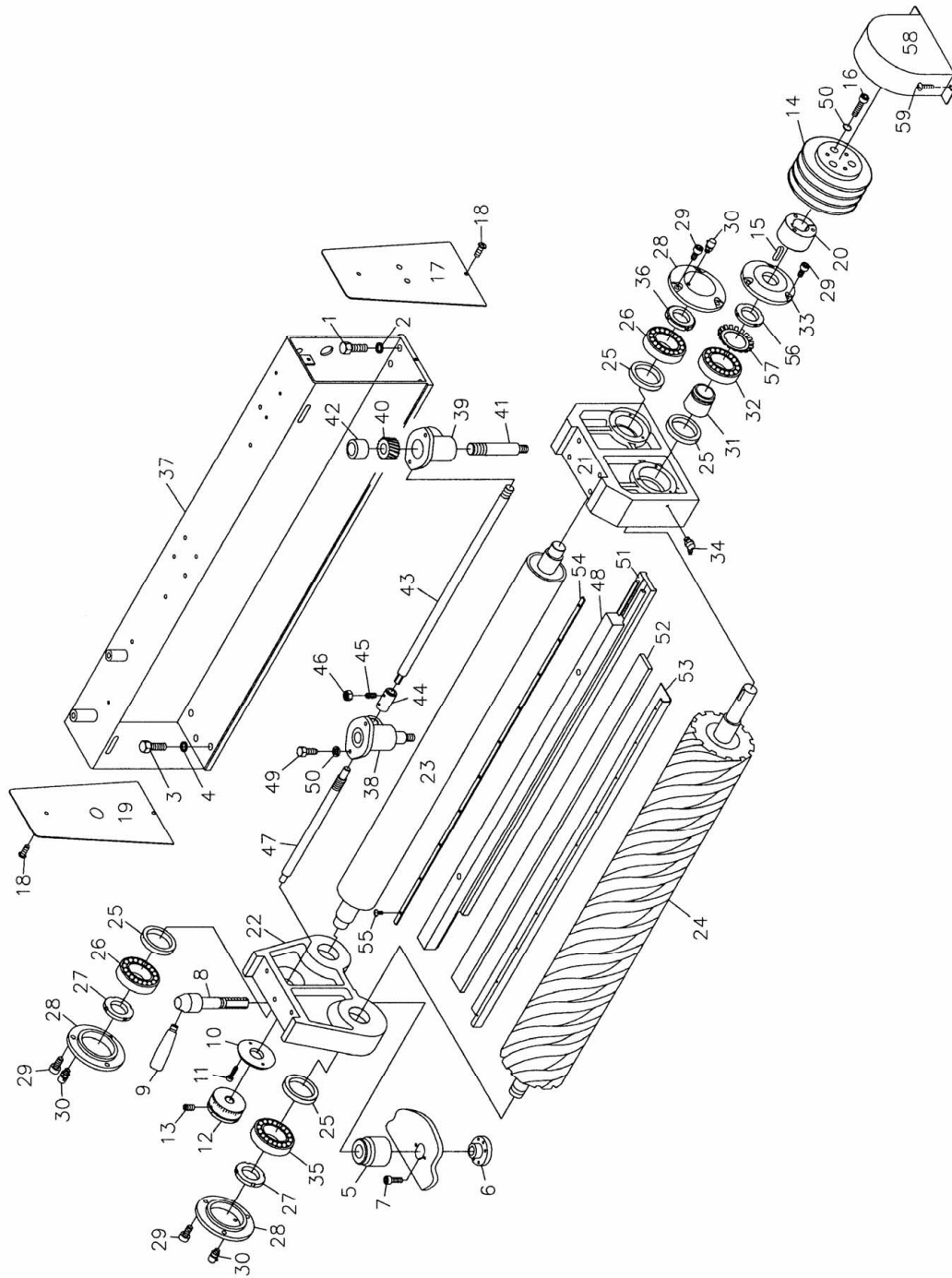
## Parts List: Pressure Bar Assembly – Model WB-43

Exploded view on page 43.

Index No.	Part No.	Description	Size	Qty
1	WB25-601	Roller Slider, Female		2
2	6294391	Roller Slider, Male		2
3	6294392	Front Roller Slider, Female		1
4	6294393	Front Roller Slider, Male		1
5	6294394	Back Roller Slider, Female		1
6	6294395	Back Roller Slider, Male		1
7	6294396	Roller Adjusting Screw		4
8	6294397	Spring Pin		4
9	6294398	Spring		4
10	6294399	Roller Slider Cover		4
11	TS-0207031	Socket Head Cap Screw	1/4-20x5/8	8
12	6294401	Roller Adjusting Knob		4
13	TS-0561031	Hex Nut	3/8-16	4
	WB43-PBA	Pressure Bar Assembly (Includes Index #14 thru #17)		1
14	6294402	Pressure Bar Shaft		4
15	6294403	Pressure Bar Cover		4
16	BB-6001ZZ	Ball Bearing	6001ZZ	8
17	6294405	Bearing Cover		8
18	TS-0267071	Set Screw	1/4-20x3/4	8
19	TS-0561011	Hex Nut	1/4-20	8
20	TS-0720081	Lock Washer	5/16	8
21	TS-0051061	Hex Head Screw	5/16-18x1-1/4	8

# Platen Assembly – Models WB-37, WB-43

Parts list on page 47 (WB-37) and page 48 (WB-43).



## Parts List: Platen Assembly – Model WB-37

Index No.	Part No.	Description	Size	Qty
1.....	WB25-701.....	Hex Cap Screw .....	1/2-12x1-1/2.....	4
2.....	TS-0720111.....	Lock Washer .....	1/2.....	4
3.....	TS-0060061.....	Hex Cap Screw .....	3/8-16x1-1/4.....	3
4.....	TS-0720091.....	Lock Washer .....	3/8.....	3
5.....	6290291.....	Diaphragm.....		1
6.....	6290292.....	Flat Head Nut.....		1
7.....	TS-0207041.....	Socket Head Cap Screw.....	1/4-20x3/4.....	2

8	6290294	Screw Rod		1
9	6290295	Platen Lock Lever		1
10	6290296	Scale Ring Base		1
11	6290297	Scale Ring Base Screw	5/32x3/8	2
12	6290298	Scale Ring		1
13	TS-0267051	Set Screw	1/4-20x1/2	1
14	6288737	Roller Pulley		1
15	6290301	Key	5/16x5/16x1-3/16	1
16	TS-0208071	Socket Head Cap Screw	5/16-18x1-1/4	3
17	WB37-717	Seal Plate, Right		1
18	TS-081F032	Pan Head Screw	1/4-20x1/2	4
19	WB37-719	Seal Plate, Left		1
20	WB25-720	Bushing		1
21	6290310	Bearing Base		1
22	6290311	Bearing Frame		1
23	WB37-723	Free Roller		1
24	6288704	Contact Roller		1
25	6290312	Oil Seal		4
26	BB-6206	Bearing	6206	2
27	6290314	Lock Nut		2
28	6290315	Bearing Cover		3
29	TS-0207021	Socket Head Cap Screw	1/4-20x1/2	12
30	6290317	Grease Fitting		3
31	6290318	Fastening Ring		1
32	6290321	Bearing	22207	1
33	6290322	Bearing Cover		1
34	6290323	Grease Fitting		1
35	6062032	Bearing	22206	1
36	6209465	Lock Nut	30mm (LH)	1
37	WB37-737	Mounting Frame		1
38	6290325	Graphite Base Gearbox, Left		1
39	6290326	Graphite Base Gearbox, Right		1
40	6290327	Gear Nut		2
41	6290328	Platen Bar Adjusting Rod		2
42	6290329	Bushing		2
43	6288727	Worm Gear Rod, Right		1
44	6290331	Worm Gear Rod Connector		1
45	TS-0267051	Set Screw	1/4-20x1/2	2
46	TS-0561011	Hex Nut	1/4-20	2
47	6290334	Worm Gear Rod, Left		1
48	6288728	Sliding Platen, Male		1
49	TS-0060051	Hex Cap Screw	3/8-16x1	4
50	TS-0720091	Lock Washer	3/8	7
51	6288701	Sliding Platen, Female		1
52	6288702	Felt		1
53	6288703	Graphite		1
54	6288730	Bar		1
55	6294433	Bar Screw		7
56	6290319	Lock Washer		1
57	6290320	Lock Nut		1
58	WB37-758	Pulley Guard		1
59	TS-081F032	Pan Head Screw	1/4-20x1/2	2

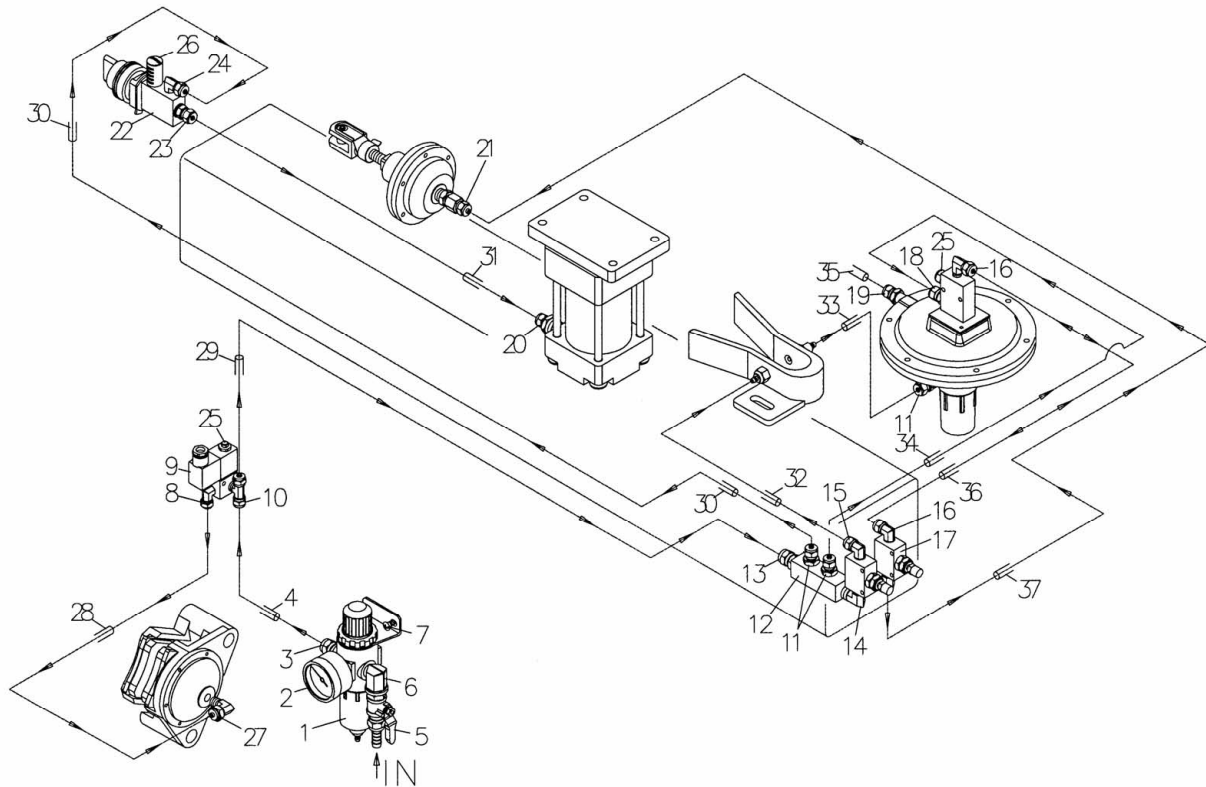
## Parts List: Platen Assembly – Model WB-43

Exploded view on page 47.

Index No.	Part No.	Description	Size	Qty
1	WB25-701	Hex Cap Screw	1/2-12x1-1/2	4
2	TS-0720111	Lock Washer	1/2	4
3	TS-0060061	Hex Cap Screw	3/8-16x1-1/4	3

## Air Regulator Assembly – Models WB-25, WB-37, WB-43

Parts list on page 50 (WB-25), page 51 (WB-37) and page 52 (WB-43).



### Parts List: Air Regulator Assembly – Model WB-25

Index No.	Part No.	Description	Size	Qty
1.....	6294544.....	Filter Cup .....		1
2.....	6294545.....	Pressure Regulator.....		1
3.....	6294546.....	Bronze Connector.....		1
4.....	6294547.....	Flexible Hose.....		1
5.....	6294548.....	Air Switch.....		1
6.....	6294549.....	Elbow.....		1
7.....	TS-081C042.....	Screw.....	10-24x5/8.....	2
8.....	6294551.....	Elbow.....		1
9.....	6294552.....	Solenoid Valve.....		1
10.....	6294553.....	T-Joint.....		1
11.....	6294554.....	Plastic Connector.....		3
12.....	6294555.....	Multiple Hole Connector.....		1
13.....	6294556.....	Plastic Connector.....		1
14.....	6294557.....	Bronze Elbow.....		1
15.....	6294558.....	Plastic Connector.....		1
16.....	6294559.....	Plastic Connector.....		2
17.....	6294560.....	Throttle Valve.....		2
18.....	6294561.....	Plastic Connector.....		1
19.....	6294562.....	Bronze Connector.....		1
20.....	6294563.....	Plastic Connector.....		1
21.....	6294564.....	Plastic Connector.....		1
22.....	6294565.....	Air Switch.....		1
23.....	6294566.....	Plastic Connector.....		1
24.....	6294567.....	Plastic Connector.....		1

25	6294568	Buffer		2
26	WB25-926	Buffer		1
27	6294570	Plastic Connector		1
28	WB25-928	Flexible Hose	ψ8×700mm	1
29	6294571	Flexible Hose	ψ8×1400mm	1
30	WB25-930	Flexible Hose	ψ6×1100mm	1
31	WB25-931	Flexible Hose	ψ6×500mm	1
32	WB25-932	Flexible Hose	ψ6×560mm	1
33	6294664	Flexible Hose	ψ6×250mm	1
34	6294665	Flexible Hose	ψ6×650mm	1
35	6294666	Flexible Hose	ψ6×300mm	1
36	6294667	Flexible Hose	ψ6×650mm	1
37	WB25-937	Flexible Hose	ψ6×860mm	1

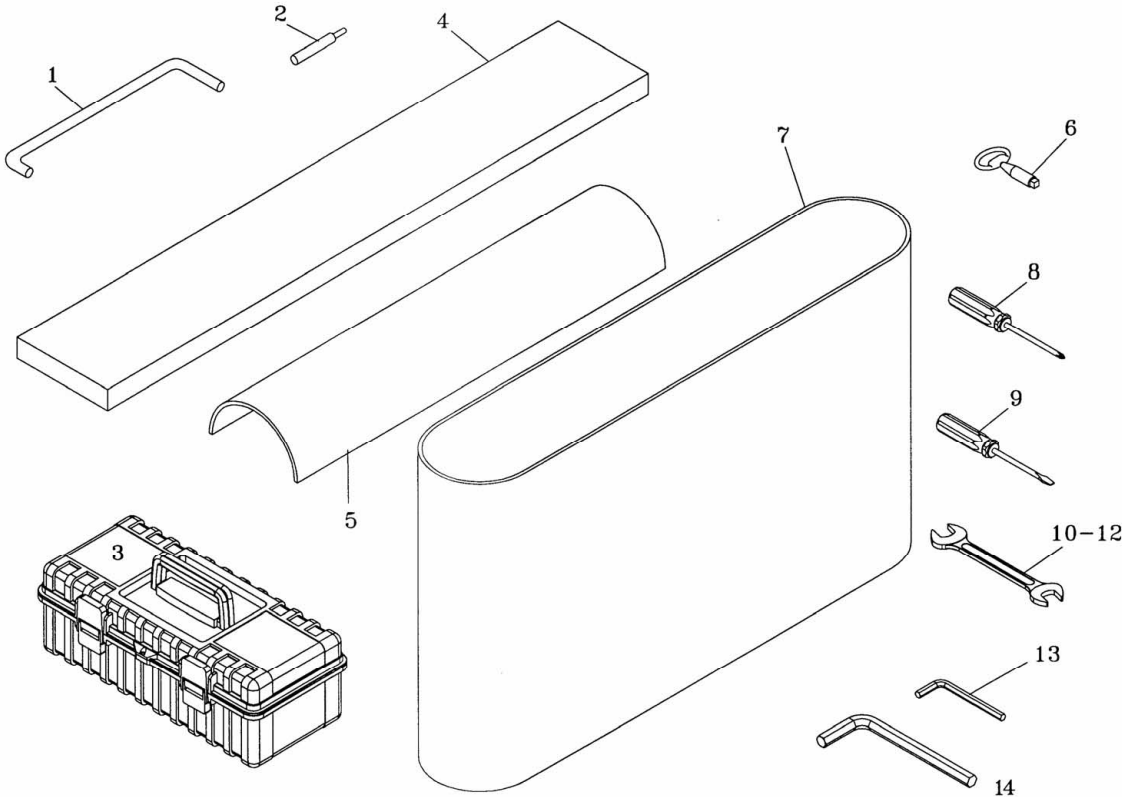
## Parts List: Air Regulator Assembly – Model WB-37

Exploded view on page 50.

Index No.	Part No.	Description	Size	Qty
1	6294544	Filter Cup		1
2	6294545	Pressure Regulator		1
3	6294546	Bronze Connector		1
4	6294547	Flexible House		1
5	6294548	Air Switch		1
6	6294549	Elbow		1
7	TS-081C042	Pan Head Screw	10-24x5/8	2
8	6294551	Elbow		1
9	6294552	Solenoid Valve		1
10	6294553	T-Joint		1
11	6294554	Plastic Connector		3
12	6294555	Multiple Hole Connector		1
13	6294556	Plastic Connector		1
14	6294557	Bronze Elbow		1
15	6294558	Plastic Connector		1
16	6294559	Plastic Connector		2
17	6294560	Throttle Valve		2
18	6294561	Plastic Connector		1
19	6294562	Bronze Connector		1
20	6294563	Plastic Connector		1
21	6294564	Plastic Connector		1
22	6294565	Air Switch		1
23	6294566	Plastic Connector		1
24	6294567	Plastic Connector		1
25	6294568	Buffer		2
26	WB25-926	Buffer		1
27	6294570	Plastic Connector		1
28	WB25-928	Flexible Hose	ψ8×700mm	1
29	6294571	Flexible Hose	ψ8×1400mm	1
30	WB37-930	Flexible Hose	ψ6×1420mm	1
31	WB37-931	Flexible Hose	ψ6×620mm	1
32	WB25-932	Flexible Hose	ψ6×560mm	1
33	6294664	Flexible Hose	ψ6×250mm	1
34	6294665	Flexible Hose	ψ6×650mm	1
35	6294666	Flexible Hose	ψ6×300mm	1
36	6294667	Flexible Hose	ψ6×650mm	1
37	WB37-937	Flexible Hose	ψ6×1350mm	1

**Sanding Belt and Accessories – Models WB-25, WB-37, WB-43**

Parts list on page 54.





## Parts List: Sanding Belt and Accessories – Model WB-25

Exploded view on page 53.

Index No.	Part No.	Description	Size	Qty
1	6290281	Platen Pull Hook		1
2	6294461	Limit Switch Tube		2
3	WB25-1003	Tool Box		1
4	6288602	Felt		1
5	6288603	Graphite		2
6	6294256	Door Lock Key		2
7		Sanding Belt (local purchase)	25"x75" (100 Grit)	1
		Sanding Belt (local purchase)	25"x75" (180 Grit)	1
8	WB25-1008	Cross Point Screwdriver		1
9	WB25-1009	Flat Blade Screwdriver		1
10	WB25-1010	Open End Wrench	8/10 mm	1
11	WB25-1011	Open End Wrench	12/14 mm	1
12	WB25-1012	Open End Wrench	17/19 mm	1
13	WB25-1013	Hex Wrench Set		1
14	WB25-1014	Adjusting Rod		1

## Parts List: Sanding Belt and Accessories – Model WB-37

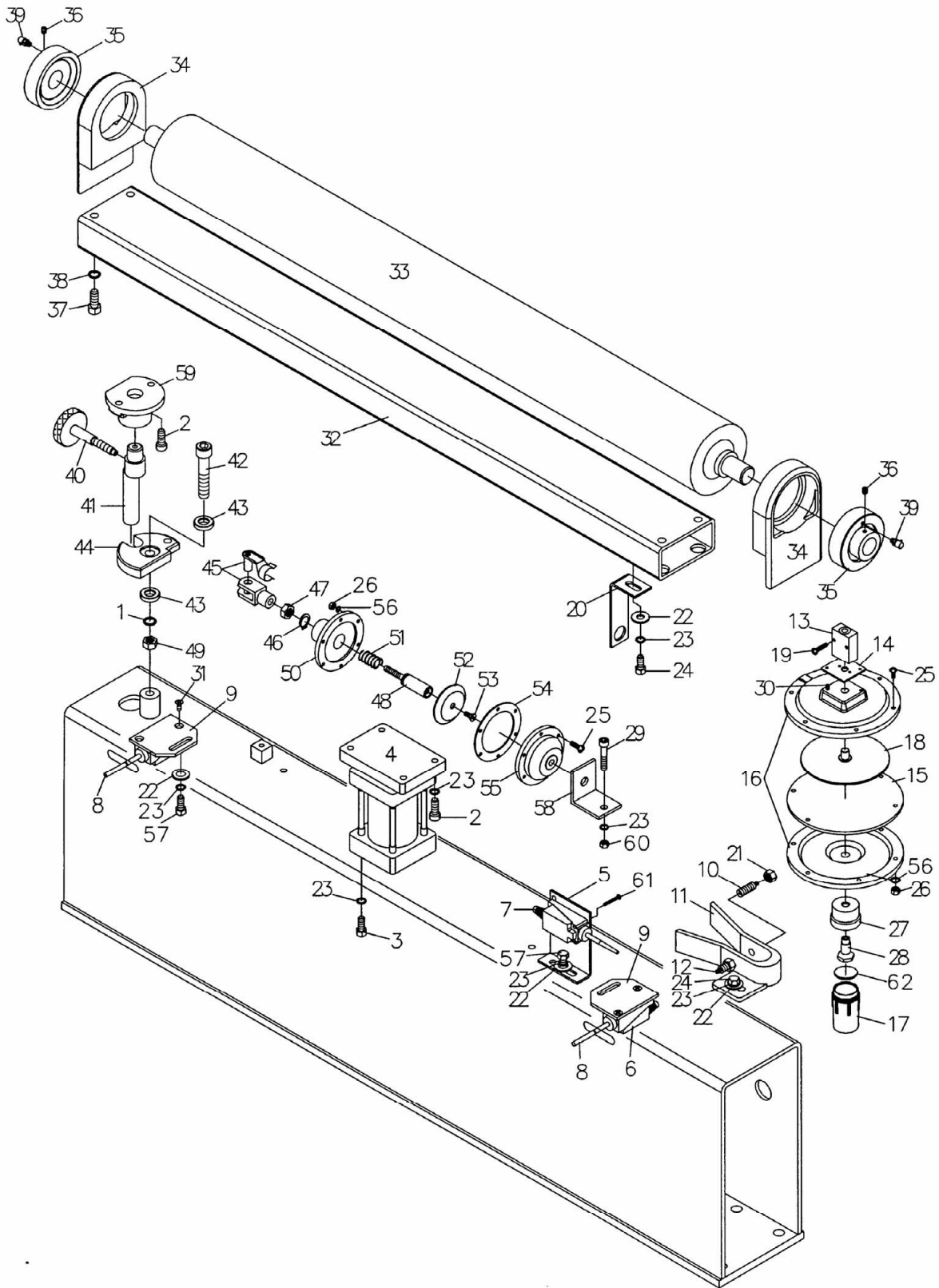
Index No.	Part No.	Description	Size	Qty
1	6290281	Platen Pull Hook		1
2	6294461	Limit Switch Tube		2
3	WB25-1003	Tool Box		1
4	6288702	Felt		1
5	6288703	Graphite		2
6	6294256	Door Lock Key		2
7		Sanding Belt (local purchase)	37"x75" (100Grit)	1
		Sanding Belt (local purchase)	37"x75" (180Grit)	1
8	WB25-1008	Cross Point Screwdriver		1
9	WB25-1009	Flat Blade Screwdriver		1
10	WB25-1010	Open End Wrench	8/10 mm	1
11	WB25-1011	Open End Wrench	12/14 mm	1
12	WB25-1012	Open End Wrench	17/19 mm	1
13	WB25-1013	Hex Wrench Set		1
14	WB25-1014	Adjusting Rod		1

## Parts List: Sanding Belt and Accessories – Model WB-43

Index No.	Part No.	Description	Size	Qty
1	6290281	Platen Pull Hook		1
2	6294461	Limit Switch Tube		2
3	WB25-1003	Tool Box		1
4	6294431	Felt		1
5	6294432	Graphite		2
6	6294256	Door Lock Key		2
7		Sanding Belt (local purchase)	43"x75" (100Grit)	1
		Sanding Belt (local purchase)	43"x75" (180Grit)	1
8	WB25-1008	Cross Point Screwdriver		1
9	WB25-1009	Flat Blade Screwdriver		1
10	WB25-1010	Open End Wrench	8/10 mm	1
11	WB25-1011	Open End Wrench	12/14 mm	1
12	WB25-1012	Open End Wrench	17/19 mm	1
13	WB25-1013	Hex Wrench Set		1
14	WB25-1014	Adjusting Rod		1

# Tension Roller Assembly – Models WB-25 and WB-37 ONLY

Parts list on page 56 (WB-25) and page 57 (WB-37).



56	TS-0720051	Lock Washer	#10	12
57	TS-0051011	Hex Cap Screw	5/16-18x1/2	3
58	6294503	Base, Air Cylinder Firing		1
59	WB25-159	Eccentric Shaft Housing		1
60	TS-0561021	Hex Nut	5/16-18	1
61	TS-1533032	Pan Head Screw	M5x10	6
62	WB25-162	Seal		1

## Parts List: Tension Roller Assembly – Model WB-37

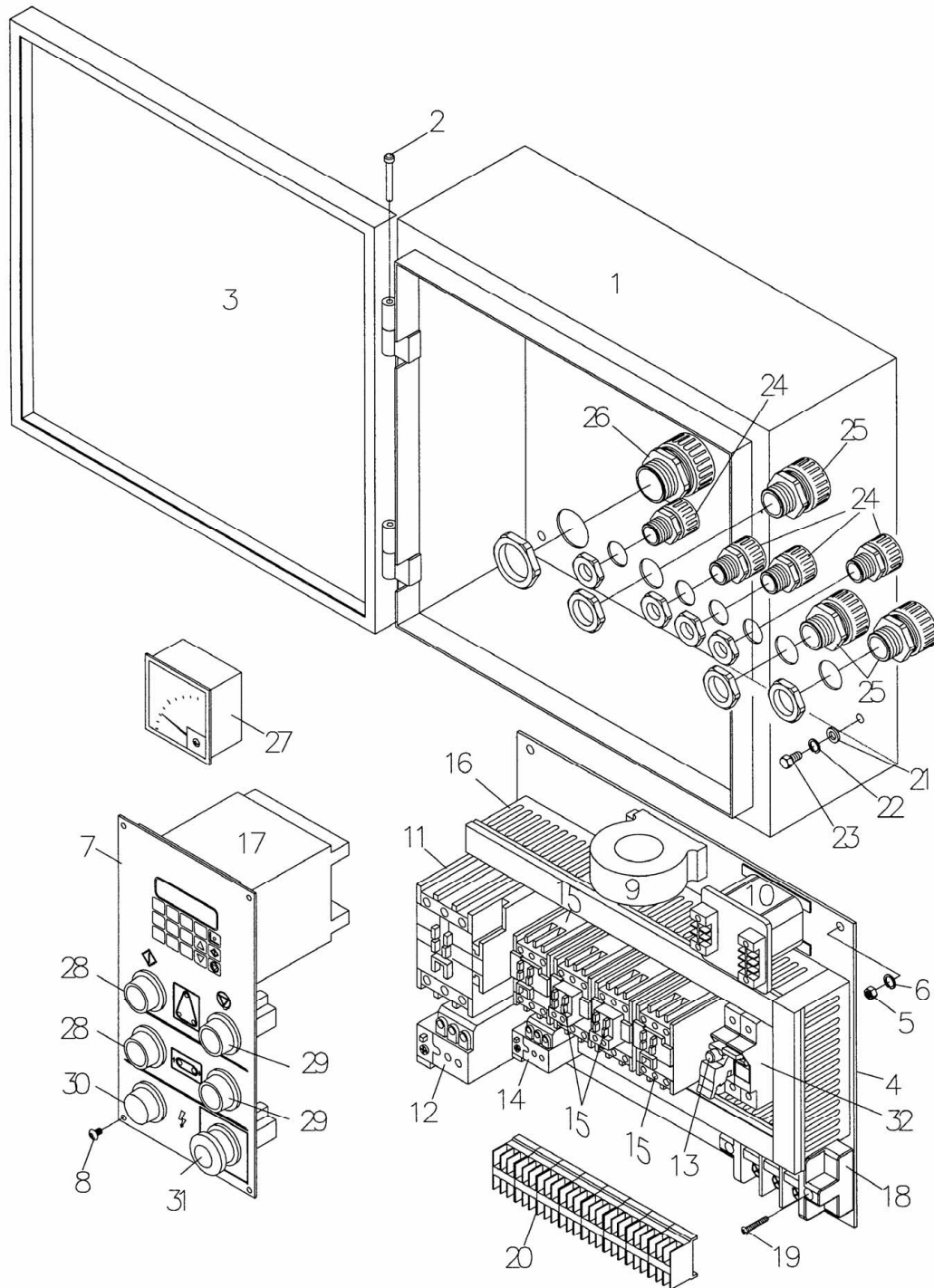
Exploded view on page 55.

Index No.	Part No.	Description	Size	Qty
1	TS-0720111	Lock Washer	1/2	1
2	TS-0208041	Socket Head Cap Screw	5/16-18x3/4	6
3	TS-1490031	Hex Cap Screw	M8x20	4
4	WB25-104	Air Cylinder 63-30		1
5	6294459	Limit Switch Holder (L Type)		1
6	6294460	Limit Switch		2
7	6294653	Limit Switch		1
8	6294461	Limit Switch Tube		2
9	6294462	Limit Switch Holder		2
10	6294463	Air Sensor Nozzle (Female)		1
11	6294464	Air Cylinder Bracket		1
12	6294465	Air Sensor Nozzle (Male)		1
13	6294466	Throttle Valve		1
14	6294467	Throttle Valve Base		1
15	6294468	Plate		1
16	6294469	Aluminum Disc		1
17	6294470	Oil Cup		1
18	6294471	Aluminum Plate		1
19	TS-2284202	Pan Head Screw	M4x20	2
20	WB25-120	Sanding Belt Power Off Plate		1
21	TS-0561032	Hex Nut	3/8-24	2
22	TS-0680031	Flat Washer	5/16	5
23	TS-0720081	Lock Washer	5/16	14
24	TS-0081031	Hex Cap Screw	5/16-18x3/4	5
25	TS-0206041	Socket Head Cap Screw	10-24x3/4	12
26	TS-0560071	Hex Nut	10-24	12
27	6294478	Connector, Oil Cap		1
28	6294479	Shaft, Oil Cup		1
29	TS-0208111	Socket Head Cap Screw	5/16-18x2-1/4	1
30	TS-1532032	Pan Head Screw	M4x10	2
31	WB25-131	Flat Head Screw	M5x8	4
32	WB37-132	Upper Roller Frame		1
33	WB37-133	Upper Roller		1
34	WB25-134	Bearing Housing		2
35	WB25-135	Bearing	C205	2
36	TS-1523011	Set Screw	M6x6	4
37	TS-0209031	Socket Head Cap Screw	3/8-16x3/4	4
38	TS-0720091	Lock Washer	3/8	2
39	WB25-139	Grease Fitting with Cover		2
40	6294490	Trimming Screw		1
41	6294491	Eccentric Rod		1
42	WB25-142	Socket Head Cap Screw	1/2-12x3-1/2	1
43	6294265	Copper Plate		2
44	6294493	Eccentric Piece		1
45	6294494	Universal Joint Fork		1
46	JWP15H-224	Retaining Ring	STW-15	1

47	TS-1540071	Hex Nut	M10	1
48	6294496	Shaft, Air Cylinder		1
49	WB25-149	Hex Nut	1/2-12	1
	WB25-AVA	Air Valve Assembly (Includes Index #25,26,46,48,50 thru 56)		1
50	6294497	Bottom Cover		1
51	6294498	Spring		1
52	6294499	Aluminum Plate		1
53	TS-2286121	Flat Head Screw	M6x12	1
54	6294501	Plate		1
55	6294502	Top Cover		1
56	TS-0720051	Lock Washer	#10	12
57	TS-0051011	Hex Cap Screw	5/16-18x1/2	3
58	6294503	Base, Air Cylinder Firing		1
59	WB25-159	Eccentric Shaft Housing		1
60	TS-0561021	Hex Nut	5/16-18	1
61	TS-1533032	Pan Head Screw	M5x10	6
62	WB25-162	Seal		1

# Electrical Box Assembly – Models WB-25 and WB-37

Parts list on page 63 (WB-25) and 64 (WB-37).

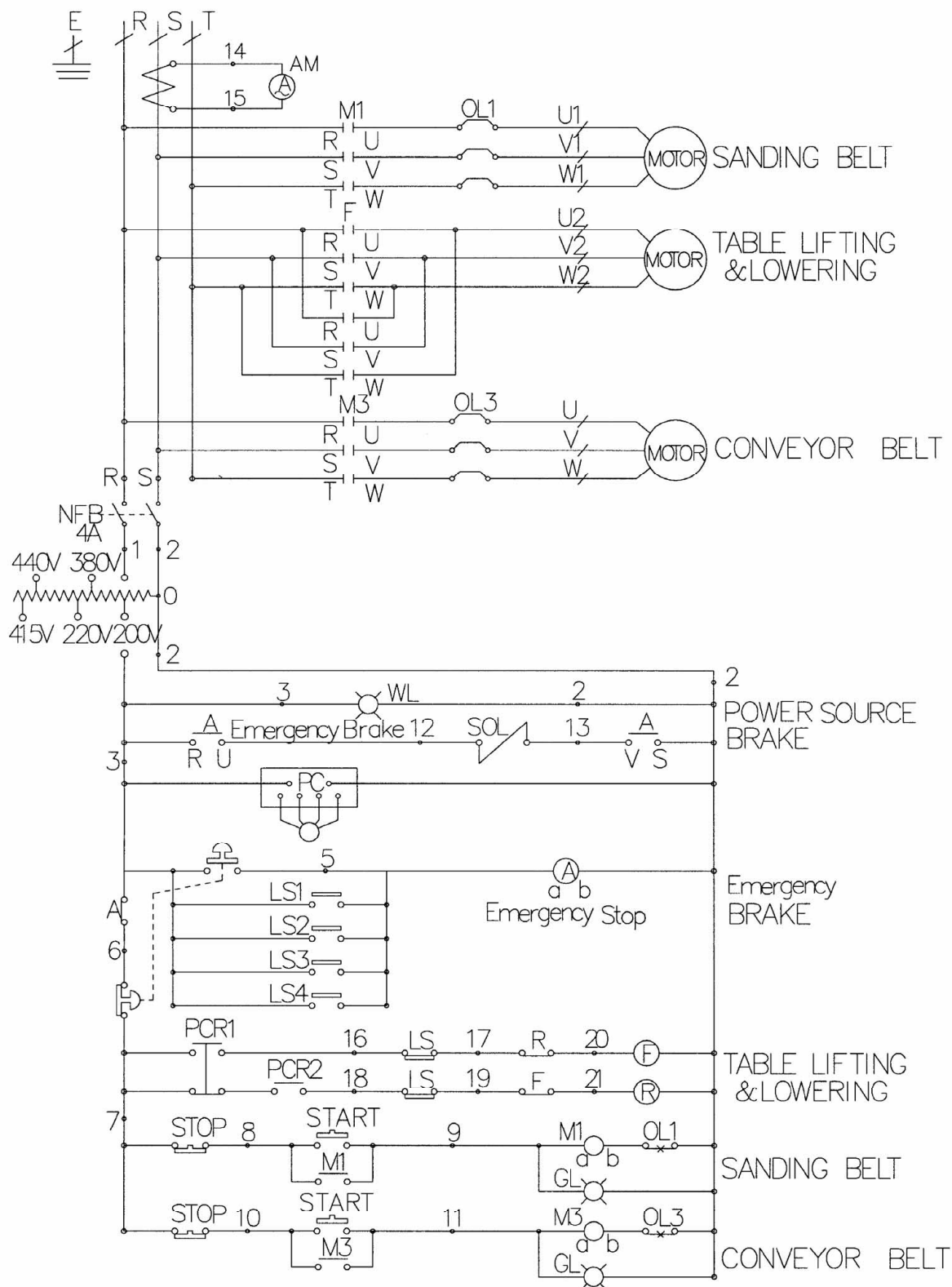


## Parts List: Electrical Box Assembly – Model WB-37

Exploded view on page 62.

Index No.	Part No.	Description	Size	Qty
1	WB25-801	Electrical Control Box		1
2	6294516	Hinge Pin		2
3	WB25-803	Electrical Control Box Door		1
4	WB25-804	Base Plate		1
5	TS-0561011	Hex Nut	1/4-20	4
6	TS-0720071	Lock Washer	1/4	4
7	WB25-807	Control Panel		1
8	WB25-808	Button Head Socket Screw	M4x8	4
9	WB25-809	Proportional Current Device		1
10	WB25-810	Transformer		1
11	WB25-811	Contactors		1
12	WB37-812	Overload Relay (for 230V)		1
	WB37-812A	Overload Relay (for 460V)		1
13	WB25-813	Fuse	4A	2
14	WB25-814	Overload Relay (for 230V)		1
	WB25-814A	Overload Relay (for 460V)		1
15	6294647	Contactors	CN-11	4
16	WB25-816	Wire Column		1
17	WB25-817	Controller		1
18	WB25-818	Power Wire Terminal		1
19	WB25-819	Tap Screw	M4x10	2
20	WB25-820	Terminal Board		8
21	TS-0680021	Flat Washer	1/4	4
22	TS-0720071	Lock Washer	1/4	4
23	TS-081F032	Pan Head Screw	1/4-20x1/2	4
24	6294532	PU Connector 1/2"		4
25	6294533	PU Connector 3/4"		3
26	6294534	Cable Connector 1"		1
27	WB25-827	Amp Meter		1
28	6294537	Start Switch		2
29	6294538	Stop Switch		2
30	6294539	Power Indication Light		1
31	6294540	Emergency Stop Switch		1
32	WB25-832	Fuse Support Base		2

# Electrical Connections – Models WB-25 and WB-37 ONLY



# Electrical Connections – Model WB-43 ONLY

