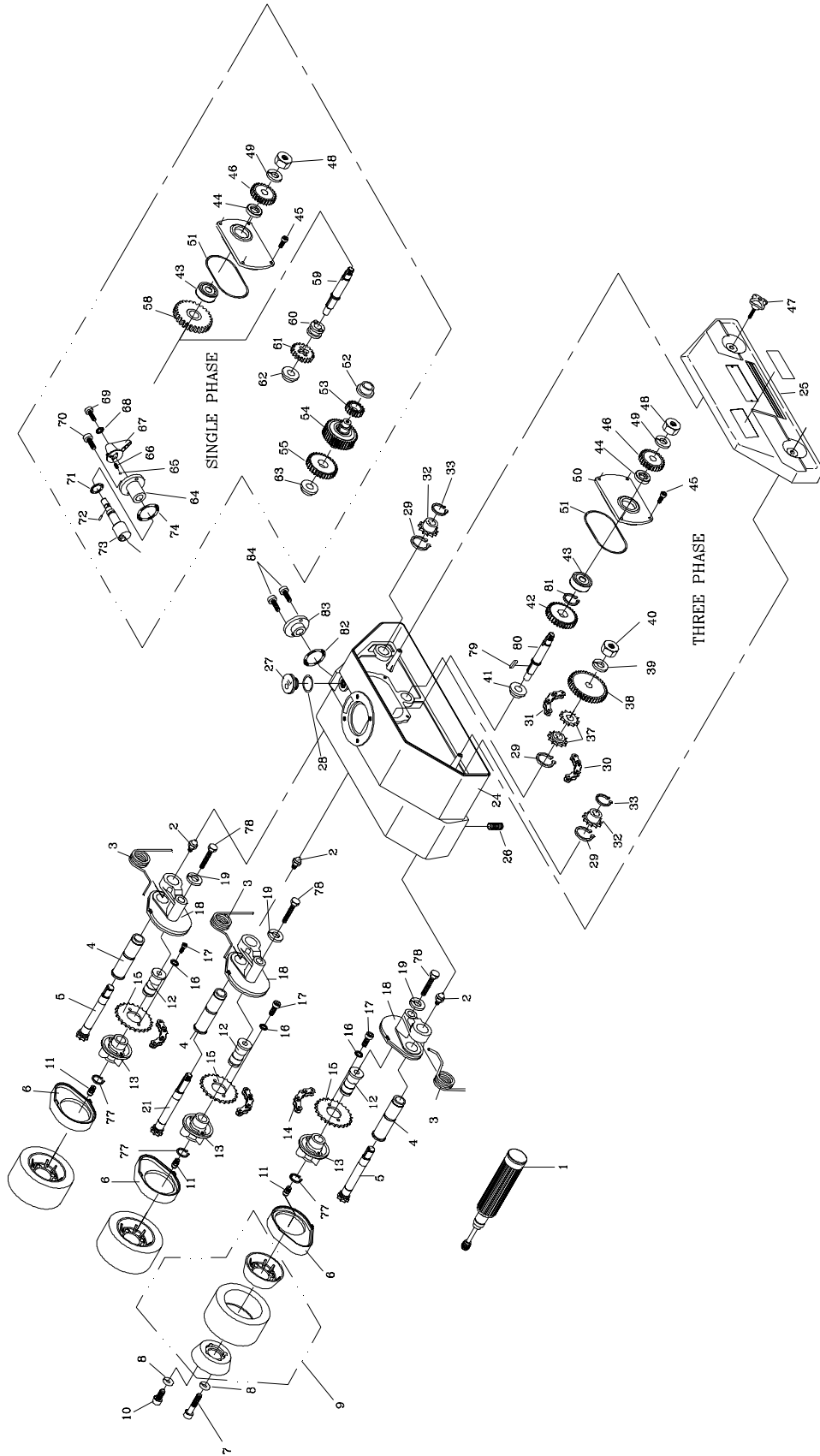


PF-31/33 Feeder Body



Parts List: PF-31/33 Feeder Body

Index No.	Part No.	Description	Size	Qty
	2192188	PF-31 Feeder Body (1Ph, 115V, 4 speed)		
	2192187	PF-33 Feeder Body (3Ph, 230V, 4 speed)		
	2192189	PF-33 Feeder Body (3PH, 460V, 4 speed)		
1	6289074	Grease Gun		1
2	6289211	Grease Fitting		3
3	6289212	Roller Hub Spring		3
4	6288938A	Tube		3
5	6289125A	Sprocket Shaft		2
6	6288952	Case Cover		3
7	6288750	Socket Head Cap Screw	M8 x 1.25P x 40Lg	6
8	6288764	Star Washer	M8	12
9	6289116	Rollers – set of 3 only	Ø120 x 60mm	1
	6288959	Roller (individual)	Ø120 x 60mm	3
10	6288749	Socket Head Cap Screw	M8 x 20 Lg	6
11	6289129	Grease Nipple		3
12	6289130	Shaft		3
13	6289121	Roller Supporter		3
14	6288949	Chain Kit	26S	3
15	6288944	Sprocket		3
16	6289122	Star Washer	M6	6
17	6289123	Cap Screw	M6 x 1.0P x 16 Lg	6
18	6288751A	Sprocket Case (PF-31/33)		3
19	6289131	Lock Washer	M12	3
21	6289126A	Sprocket Shaft		1
24	6289228	Frame	4SP 1Ph	1
	6289229	Frame	4SP 3Ph	1
25	6289139	Back Cover		1
26	6289136	Set Screw	M6 x 1.0P x 10Lg	3
27	6288980	Oil Cap		1
28	6288979	"O" Ring		1
29	6288955	Snap Ring	Ø26mm	3
30	6288954	Chain	40S	2
31	6288975	Chain	62S	1
32	6289092	Sprocket w/Key		2
33	6288958	Snap Ring	Ø15mm	2
37	6289093	Double Sprocket w/Key		1
38	6289097	Gear	40T	1
39	6289127	Lock Washer	M12	1
40	6289128	Nut	M12 x 1.75	1
41	6289201	Bushing		1
42	6289197	Gear		1
43	6288965	Bearing	#6203	1
44	6288969	Oil Seal		1
45	6289146	Cap Screw	M5 x 0.8P x 16Lg	4
46	6289096	Gear	25T	1
47	6289140	Knob Assembly		2
48	6289198	Nut	M12 x 1.75	1
49	33-6004-00-2	Spring Washer	M12	1
50	6289145	Cover		1
51	6289144	"O" Ring		1
52	6289205	Bushing		1
53	6289204	Gear	17T	1
54	6289202	Gear	38T	1
55	6289203	Gear	31T	1
58	6289061	Gear	34T	1
59	6289142	Shaft		1
60	6289058	Clutch		1

61.....	6289057.....	Gear.....	20T.....	1
62.....	6289056.....	Bushing.....	20D x 17D x (10+2).....	1
63.....	6289135.....	Bushing.....	29D x 23D x (9+3).....	1
64.....	6289153.....	Gear Lever Shaft.....		1
65.....	6289070.....	Ball.....		1
66.....	6289071.....	Spring.....		1
67.....	6289149.....	Transmission Lever.....		1
68.....	6289150.....	Star Washer.....		1
69.....	6288763.....	Cap Screw.....	M5 x 0.8P x 12Lg.....	1
70.....	6289154.....	Cap Screw.....	M5 x 0.8P x 10Lg.....	2
71.....	6289067.....	"O" Ring.....		1
72.....	6289148.....	Lock Pin.....	Ø4 x 20mm.....	1
73.....	6289147.....	Gear Lever.....		1
74.....	6289152.....	"O" Ring.....		1
77.....	6288755.....	Snap Ring.....	20mm.....	3
78.....	6288756.....	Hex Screw.....	M12 x 1.75P x 75Lg.....	3
79.....	6288757.....	Key.....	6 x 6 x 18 mm.....	1
80.....	6288758.....	Worm Gear Shaft.....		1
81.....	6288759.....	Snap Ring.....	Ø22mm.....	1
82.....	6288760.....	"O" Ring.....		1
83.....	6288761.....	Cap.....		1
84.....	6288762.....	Cap Screw.....	M5 x 0.8P x 12Lg.....	2

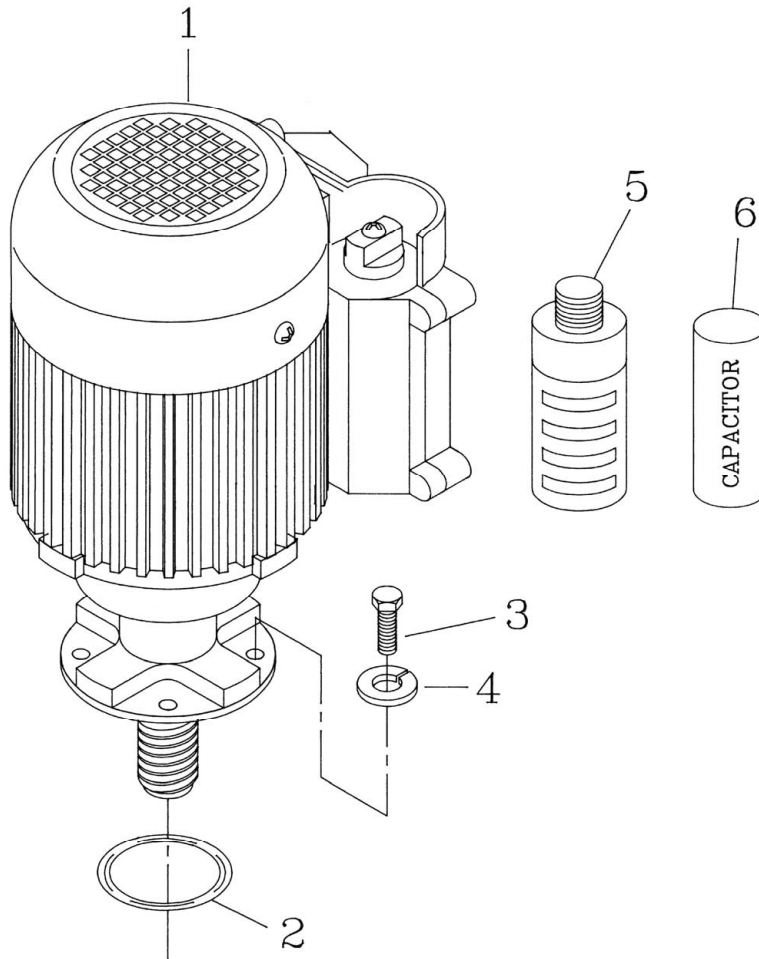
Parts List: Motor Assembly for PF-31/33 and PF-41/43

SINGLE PHASE

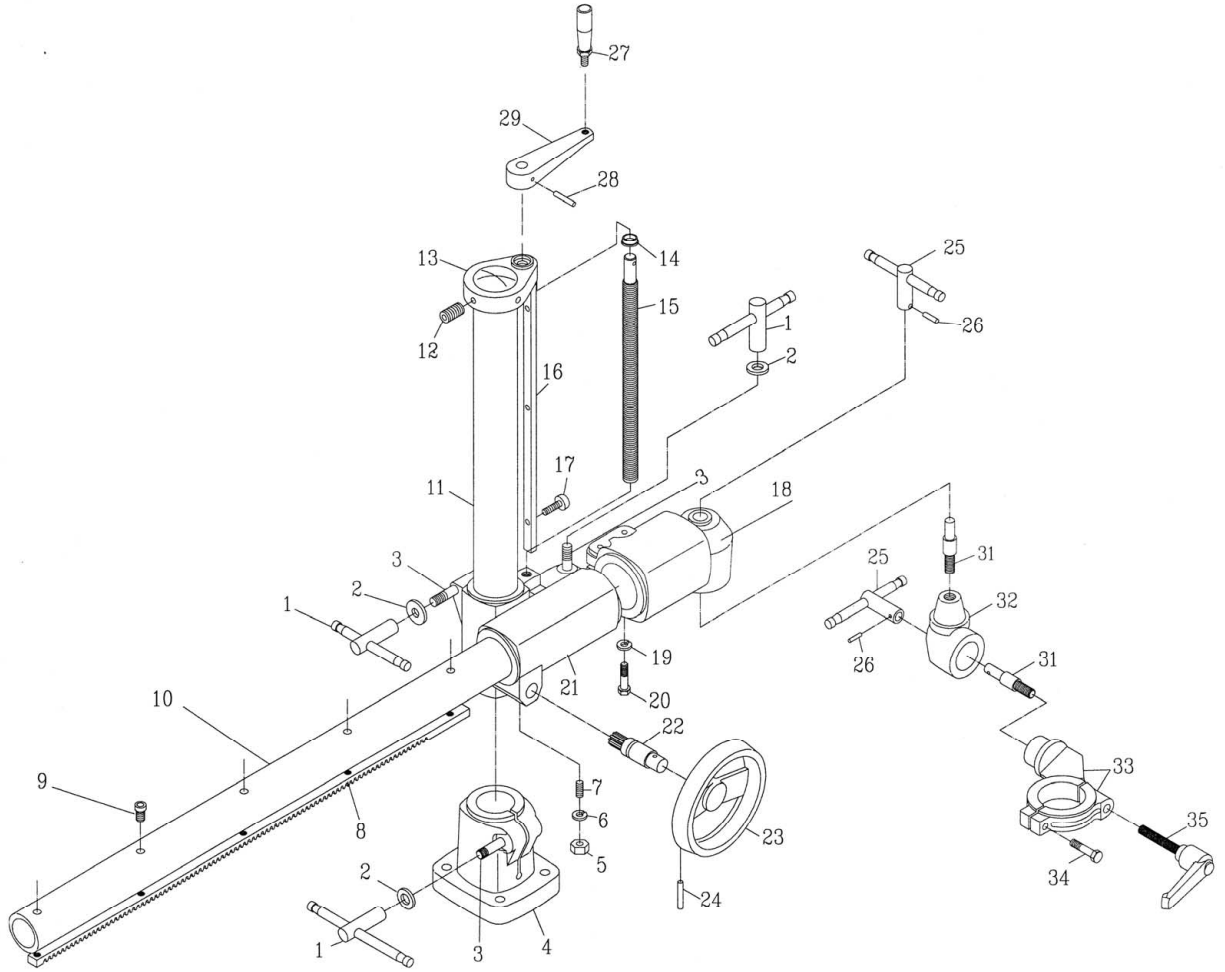
Index No.	Part No.	Description	Size	Qty
1.....	6289098.....	Motor.....	1HP, 1Ph, 115V, 60Hz.....	1
2.....	6289207.....	"O" Ring.....		1
3.....	6289086.....	Screw.....	M8 x 1.25P x 20Lg.....	4
4.....	6289085.....	Lock Washer.....		4
5.....	6289115.....	Control Switch.....		1
6.....	6289087.....	Capacitor.....		1

THREE PHASE

Index No.	Part No.	Description	Size	Qty
1.....	6289099.....	Motor.....	1HP, 3Ph, 460V, 60Hz.....	1
.....	6288988.....	Motor.....	1HP, 3Ph, 230V, 60Hz.....	1
2.....	6289207.....	"O" Ring.....		1
3.....	6289086.....	Screw.....	M8 x 1.25P x 20Lg.....	4
4.....	6289085.....	Lock Washer.....		4
5.....	6289003.....	Control Switch.....		1
6.....	6289002.....	Capacitor.....		1



Feeder Mounting Assembly for PF-31/33 and PF-41/43



Parts List: Feeder Mounting Assembly for PF-31/33 and PF-41/43

Index No.	Part No.	Description	Size	Qty
	6289113	Complete Mounting Base Assembly		
1	6289179	Handle Assembly	M12 x 1.75	3
2	6288903	Flat Washer	1/2 x 25	3
3	6289178	Stud	M12 x 70mm	3
4	6289177	Column Base		1
5	6289210	Nut	M8 x 1.25	1
6	6289200	Spring Washer	M8	1
7	6289188	Set Screw	M8 x 1.25P x 20Lg	1
8	6289163	Rack		1
9	6289164	Cap Screw	M5 x 0.8P x 10Lg	4
10	6288923	Over Arm	720mm	1
11	6289219	Vertical Column	560mm	1
12	6289174	Set Screw	M8 x 1.25P x 12Lg	3
13	6289173	Column Cap		1
14	6289222	Thrust Washer		2
15	6289220	Elevating Screw		1
16	6289161	Elevating Key		1
17	6289162	Cap Screw	M5 x 0.8P x 16Lg	1
18	6289181	Over Arm Cone		1
19	6288930	Spring Washer	M10	2
20	6289183	Bolt	M10 x 1.5P x 50Lg	2
21	6289180	Elevating Bracket		1
22	6288912	Pinion	M8 x 1.25P x 12Lg	3
23	6288913	Handwheel		1
24	6289166	Lock Pin	6 x 36	1
25	6288926	Handle Assembly		2
26	6288927	Lock Pin	6 x 22	2
27	6289176	Wheel Handle	M10 x 1.5	1
28	6289221	Pin	6 x 36	1
29	6289175A	Elevating Handle		1
30	6289222	Thrust Washer		1
31	6289182	Lock Stud	M16 x 1.5	2
32	6289168	Swivel Cone		1
33	6289169	Motor Clamp		1
34	6289170	Bolt	M8 x 1.25P x 50Lg	1
35	6288887	Locking Bolt		1