

Concrete Grinder - 0 601 773 739 - 1773 A

www.powertools-aftersaleservice.com



BOSCH

Item	Part Number	Description	Illustration	Price	Quantity	Price Group
2	1 604 220 307	Field 100-120V	1	-,-	1	34
4	1 607 200 150	Switch	1	-,-	1	26
5	1 604 460 138	Power supply cord USA/CDN 2,15m 2 x 082mm SJ 18/2	1	-,-	1	30
6	2 600 703 013	Grommet Ø7,6-Ø8,2x95 MM	1	-,-	1	13
7	1 601 302 017	Fastening Clamp	1	-,-	1	10
9	1 601 118 C77	Manufacturer's nameplate	1	-,-	1	15
13	1 610 905 025	Deep-Groove Ball Bearing 7x19x6	1	-,-	1	19
14	1 600 905 032	Deep-Groove Ball Bearing 8x22x7	1	-,-	1	18
25	1 600 508 016	Housing Cover BLUE	1	-,-	1	19
26	1 600 206 036	Rubber Ring	1	-,-	1	11
27	1 600 206 025	Rubber Ring	1	-,-	1	12
29	1 600 591 025	Air-Deflector Ring	1	-,-	1	13
30	1 600 591 014	Air-Deflector Ring	1	-,-	1	13
33	3 600 210 124	O-Ring 46,0x1,1 MM RED	1	-,-	1	11
35	1 600 136 013	Shim 0,1 MM THICK	1	-,-	1	13
35	1 600 136 014	Shim 0,2 MM THICK	1	-,-	1	13
35	1 600 136 015	Shim 0,3 MM THICK	1	-,-	1	13
35	1 600 136 020	Shim 0,15 MM THICK	1	-,-	1	13
37	1 600 290 016	Rotary shaft lip seal	1	-,-	1	12
40	1 600 119 011	Spring retaining ring	1	-,-	1	11
41	1 600 910 018	Needle bearing Ø8xØ12x8 MM	1	-,-	1	16
45	1 603 300 016	Hex Nut M7, SW10	1	-,-	1	11
47	1 603 435 042	Self-Cutting Screw ST3,9x12	1	-,-	1	11
49	3 603 435 047	Torx Oval-Head Screw	1	-,-	4	10
50	2 912 401 420	Tapping Screw DIN7981-ST3,9x19-F-Z	1	-,-	1	10
51	1 607 233 149	Speed governor 100-120V	1	-,-	1	38
52	3 604 460 117	Light Conductor	1	-,-	1	13
53	3 604 438 020	Connecting Cable L=50 MM WHITE	1	-,-	1	13
55	2 912 401 022	Tapping Screw DIN 7981-ST3,9x25-C-Z	1	-,-	4	10
70	3 600 150 023	Cover Disc	1	-,-	1	14
104	1 600 210 034	O-Ring 4,0x1,0 MM	1	-,-	1	11
105	1 601 008 005	Insulating Plate	1	-,-	2	14
154	3 600 913 010	Distance Pipe	1	-,-	1	16

Item	Part Number	Description	Illustration	Price	Quantity	Price Group
155	2 916 660 013	Spring retaining ring DIN 472-32x1,2 MM	1	-,-	1	11
156	3 600 905 130	Deep-Groove Ball Bearing 12x32x10	1	-,-	1	24
157	3 600 105 009	Seal ring	1	-,-	2	19
180	3 601 119 229	Warning Plate	1	-,-	1	12
205	3 601 119 236	Reference Plate	2	-,-	1	15
206	3 601 303 016	Strap-Shaped Handle	2	-,-	1	39
207	2 911 061 285	Hex Screw DIN 933 M10x16-8.8	1	-,-	2	11
208	2 916 011 017	Plain Washer DIN 125-A10,5-ST	2	-,-	2	11
301/1	1 605 108 208	Motor Housing BLUE	1	-,-	1	23
301/16	1 601 323 025	Brush Holder	1	-,-	2	15
301/17	1 604 652 013	Spiral Spring	1	-,-	2	11
301/18	1 602 026 057	Switch Handle BLACK	1	-,-	1	11
301/19	1 604 611 026	Compression Spring	1	-,-	1	10
301/20	1 602 319 011	Adjusting Slide	1	-,-	1	11
301/48	2 912 401 005	Tapping Screw DIN7981-ST2,9x9,5C-Z	1	-,-	2	10
651	3 608 600 008	Cup Wheel Ø 125 MM	2	-,-	1	56
656/20	3 603 340 503	Round Nut 5/8"	2	-,-	1	28
656/30	3 607 950 019	Pin-Type Face-Wrench	2	-,-	1	25
656/40	2 610 907 746	Adapter	2	-,-	1	20
656/50	3 603 340 501	Clamping-Flange 5/8"-FL+B	2	-,-	1	17
657	3 600 508 039	Plug	2	-,-	1	10
803	1 604 010 651	Armature 100-120V	1	-,-	1	43
808	3 601 119 267	Nameplate	1	-,-	1	15
810	3 607 014 011	Carbon-Brush Set	1	-,-	1	28
821	3 607 030 377	Gear Housing	1	-,-	1	34
824	3 605 510 040	Suction Hood	2	-,-	1	29
828	3 605 700 158	Bearing Flange	1	-,-	1	39
829	3 600 290 054	Strip brush	2	-,-	1	22
832	3 607 031 646	Grinding Spindle	1	-,-	1	40
835	1 606 610 132	Fan	1	-,-	1	12
838	1 600 A00 22W	Gear Unit	1	-,-	1	31
840	1 607 000 253	Push-Button BLACK	1	-,-	1	12
866	3 607 031 584	Strap-Shaped Handle	2	-,-	1	39
899	3 605 430 011	Silicone Sealing SILASTIC 7091	1	-,-	1	31

Illustration - Type E

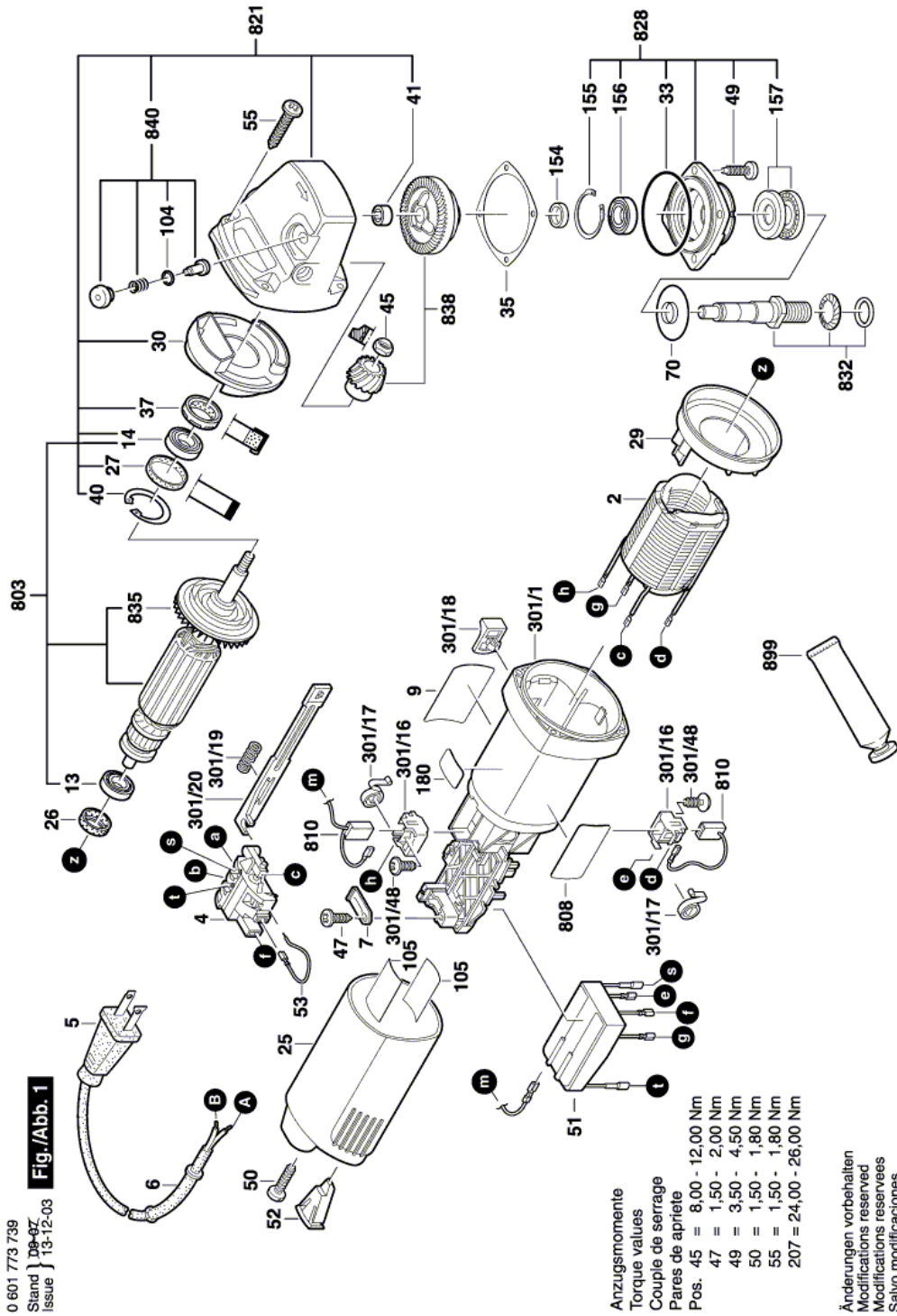
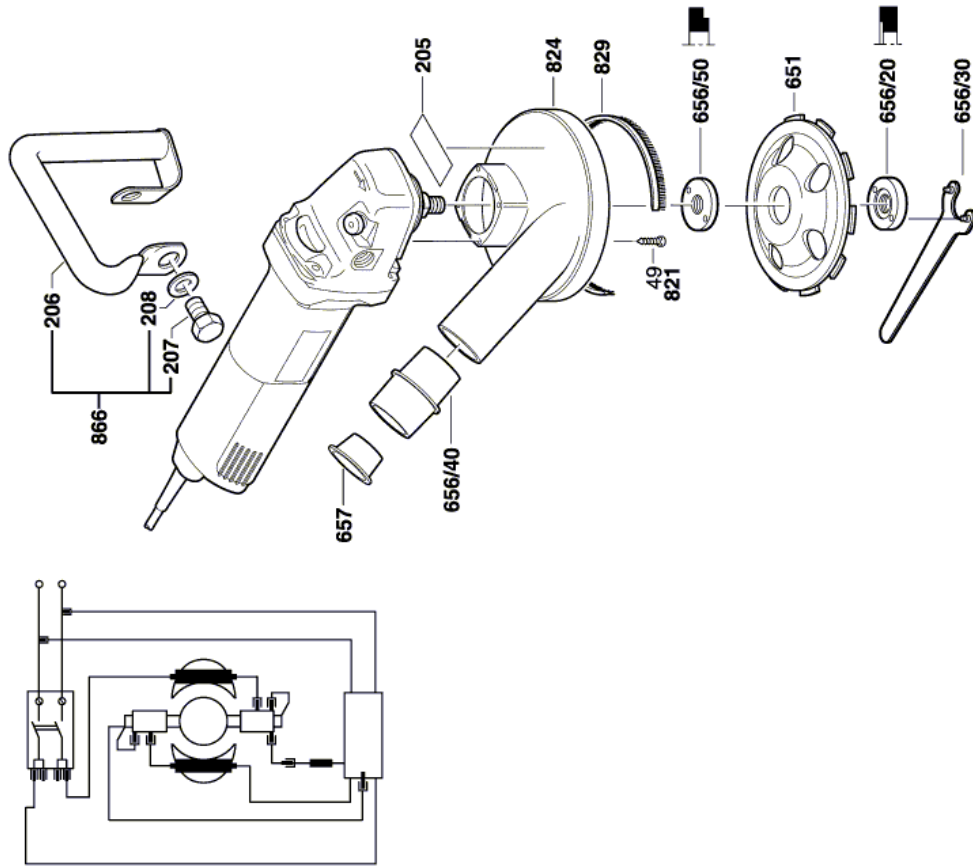


Illustration - Type E



0 601 773 739
Stand | Da-ET
Issue | 04-03-10
Fig. /Abb. 2

Änderungen vorbehalten
Modifications reserved
Modificacions reservadas
Salvo modificaciones

Information subject to change without further notice.