



SERVICE PARTS LIST

BUL. 54-12-2032

5/8" ELECTRIC DRILL

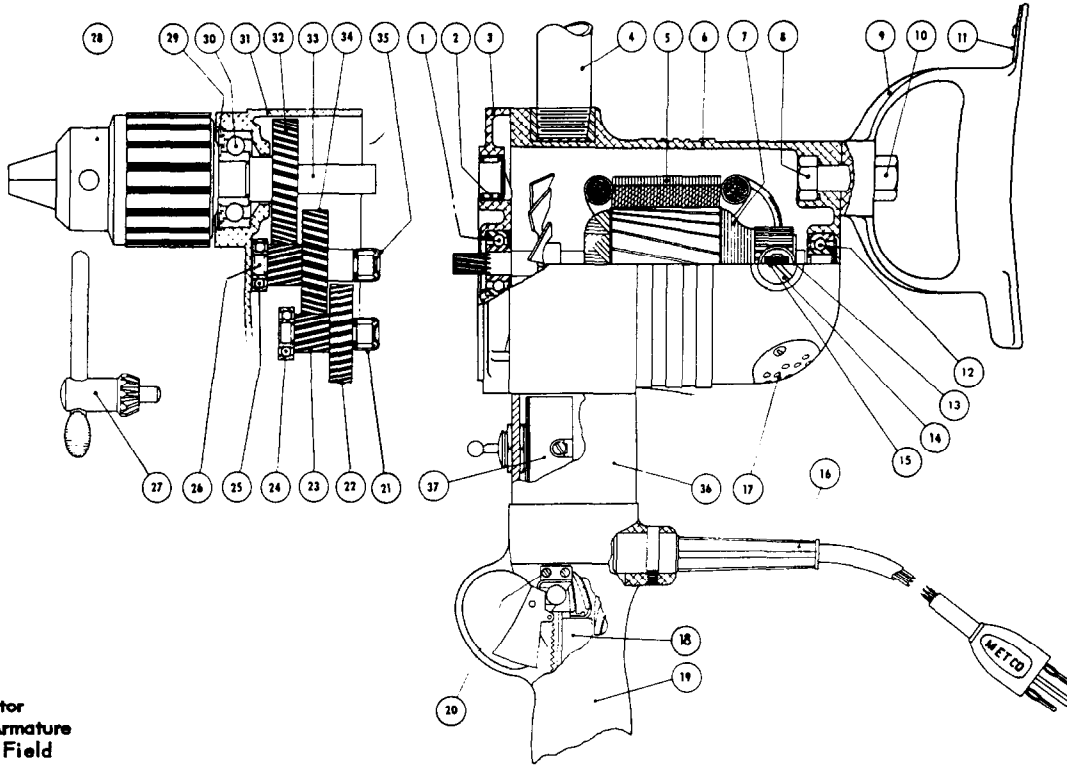
REVISED BUL 6130-3	DATE Feb. '68
-----------------------	------------------

Catalog No. 1750-1

Starting Serial No. 130-1129

WIRING INSTR.

Both Model and Serial No. must be furnished to obtain correct parts.



230V Motor
16-86-1351 Armature
18-86-1111 Field

ILLUSTRATED PARTS

FIG.	PART NO.	DESCRIPTION OF PART	FIG.	PART NO.	DESCRIPTION OF PART
1	02-04-1260	Ball Bearing	20	42-36-0230	Switch Bracket
2	02-50-4040	Needle Bearing	21	02-50-2450	Needle Bearing
3	28-28-0102	Diaphragm	22	32-40-1001	1st Intermediate Gear
4	43-62-0230	Pipe Handle	23	36-66-3001	1st Inter. Pinion Shaft
5	18-82-1111	Field Assembly	24	02-04-0910	Ball Bearing
6	28-50-4761	Motor Housing	25	02-04-0910	Ball Bearing
7	16-82-1431	Armature Assembly	26	36-66-0501	2nd Inter. Pinion Shaft
8	06-75-0850	1/2-13x1-1/2 Spade Handle Bolt (Hex.Hd.)	27	48-66-3120	Chuck Key
9	14-34-0100	Spade Handle (incl. item 11)	28	48-66-1680	Chuck
10	06-55-2850	1/2-13 Spade Handle Jam Nut	29	34-80-3450	Ball Bearing Retaining Ring
11	See item 9	Spade Handle Key Clip	30	02-04-2050	Ball Bearing
12	02-04-1070	Ball Bearing	31	28-14-0401	Gear Case
13	22-22-0100	Brush Holder Assembly	32	32-75-1001	Spindle Gear
14	23-44-0081	Brush Retaining Screw Assembly (2)	33	38-50-3471	Spindle
15	22-18-0115	Carbon Brush Assembly (2)	34	32-44-1221	2nd Intermediate Gear
16	22-64-0080	Cord Set	35	02-50-2450	Needle Bearing
17	44-66-0180	Air Intake Cover Plate	36	28-50-7121	Reverse Switch Housing
18	23-66-0190	Switch	37	23-66-0340	Reverse Switch
19	28-44-9241	Switch Handle			

MISCELLANEOUS PARTS NOT SHOWN

PART NO.	DESCRIPTION OF PART	PART NO.	DESCRIPTION OF PART
12-98-0900	Name Plate	06-81-8950	8-32x2-1/4 Fil Hd. Field Sems (2)
06-81-8650	6-32x1/4 Rd.Hd. Spade Handle Key Clip Sems	06-83-2670	1/4-20x1/2 Hd'less Brush Holder Set Screws (2)
06-81-8650	6-32x1/4 Rd.Hd. Switch Mtg. Sems (2)	06-81-8625	6-32x1/4 Rd.Hd. Brass Grounding Wire Sems (2)
06-81-3400	6-32x1/4 Oval Hd. Switch Bracket Scs. (2)	06-97-3200	Kantlink Lock Washer (10)
★ 06-81-0050	4-40x1/4 Binder Hd. Name Plate Scs. (2)	06-97-3800	Kantlink Lock Washer (10)
06-85-0200	6-1/4 P.K. Air Intake Plate Screws (2)	06-42-1600	Woodruff Keys
06-81-7850	1/4-20x1 Fil.Hd. Gear Case Sems (2)	06-42-1200	Woodruff Keys
06-81-7950	1/4-20x1-3/4 Fil.Hd. Gear Case Sems (2)	06-42-2400	Woodruff Keys
06-81-2150	1/4-20x3-3/4 Fil.Hd. Switch Handle Screws (4)	45-04-0100	Cord Retaining Screw (2)
06-81-3100	5/16-18x1 Flat.Hd. Internal Socket Screw (1)	23-16-0200	Fiber Insulation (2)
23-86-0130	Brush Holder Washer (2)		

(2) Numbers in brackets indicate number required.