



SERVICE PARTS LIST

BUL. 54-12-2022

5/8" ELECTRIC DRILL

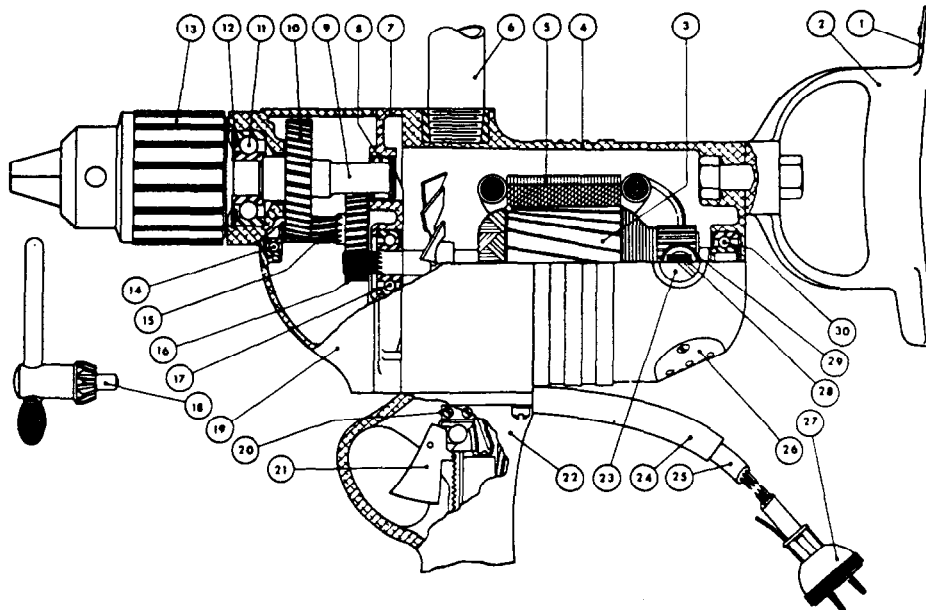
REVISED BUL 663-3 DATE FEB. '68

MODEL NO. **D-582**

Starting Serial No. **63-3914**

WIRING INSTR.

Both Model and Serial No. must be furnished to obtain correct parts.



CORRECTS AND SUPERCEDES SERVICE BULLETIN 663-3 DATED 5/20/57

ILLUSTRATED PARTS

FIG.	PART NO.	DESCRIPTION OF PART	FIG.	PART NO.	DESCRIPTION OF PART
1	88D1-6	Spade Handle Key Clip	15	5CK-13A	Intermediate Shaft
2	88D1-3A	Spade Handle	16	89D-14	Intermediate Gear
3	58D-600C	Armature Assembly	17	WC8011	Ball Bearing
4	23D-1	Motor Housing	18	5/8"	Chuck Key
5	56V-700	Field Assembly	19	2D-3	Gear Case
6	88D-43	Pipe Handle	20	88D-23A	Switch Bracket
7	2D-2	Diaphragm	21	CH8636K1	Switch
8	MH-1081	Needle Bearing	22	88D1-1B	Switch Handle
9	5CK-8A	Spindle	23	88D-400	Brush Retaining Screw Assembly
10	7CK-11A	Spindle Gear	24	16G-10SR2	Cord Set
11	ND8603	Ball Bearing	26	23D-41	Air Intake Cover Plate
12	RR-185	Ball Brg. Retaining Ring	28	88D-370	Carbon Brush Assemblies (2)
13	5/8"	Chuck (5/8"-16 Thread)	29	88D-320	Brush Holder Assembly
14	ND7039	Ball Bearing	30	WC8500	Ball Bearing

MISCELLANEOUS PARTS NOT SHOWN

SIZE OR PART NO.	DESCRIPTION OF PART	SIZE OR PART NO.	DESCRIPTION OF PART
MH681	Needle Bearing	1/4"-20x1 1/4" Fil. Hd.	Gear Case Screws (2)
D-582	Name Plate	8-32x2 1/2" Rd. Hd.	Field Screws (2)
1/2"-13x1 1/2" Hex. Hd.	Spade Handle Bolt (1)	1/4"-20x1 1/2" Fil. Hd.	Switch Handle Screws (4)
1/2"-13	Spade Handle Jam Nut (1)	1/4"-20x1/2" Hdless.	Brush Holder Set Screws (2)
#4x5/16" Driv-In	Spade Handle Key Clip Sc. (1)	#8	Kantlink Lock Washers (2)
6-32x1/4" Rd. Hd.	Switch Mounting Screws (2)	#14	Kantlink Lock Washers (10)
6-32x1/4" Fil. Hd.	Switch Bracket Screws (2)	#2	Woodruff Keys (2)
#4x5/16" Driv-In	Name Plate Screws (2)	#3	Woodruff Keys (1)
#6x1/4" P.K.	Air Intake Plate Screws (2)	14DS1-1	Cord Retaining Screw (2)

Numbers in brackets indicate number required.
Screws and washers sold only in packs of 10.
Prices are subject to change without notice.