



SERVICE PARTS LIST

BUL. 54-12-2021

5/8" ELECTRIC DRILL

REVISED BUL 663-2 DATE FEB. '68

MODEL NO. D-582

Starting Serial No. 63-1446

WIRING INSTR.

Both Model and Serial No. must be furnished to obtain correct parts.

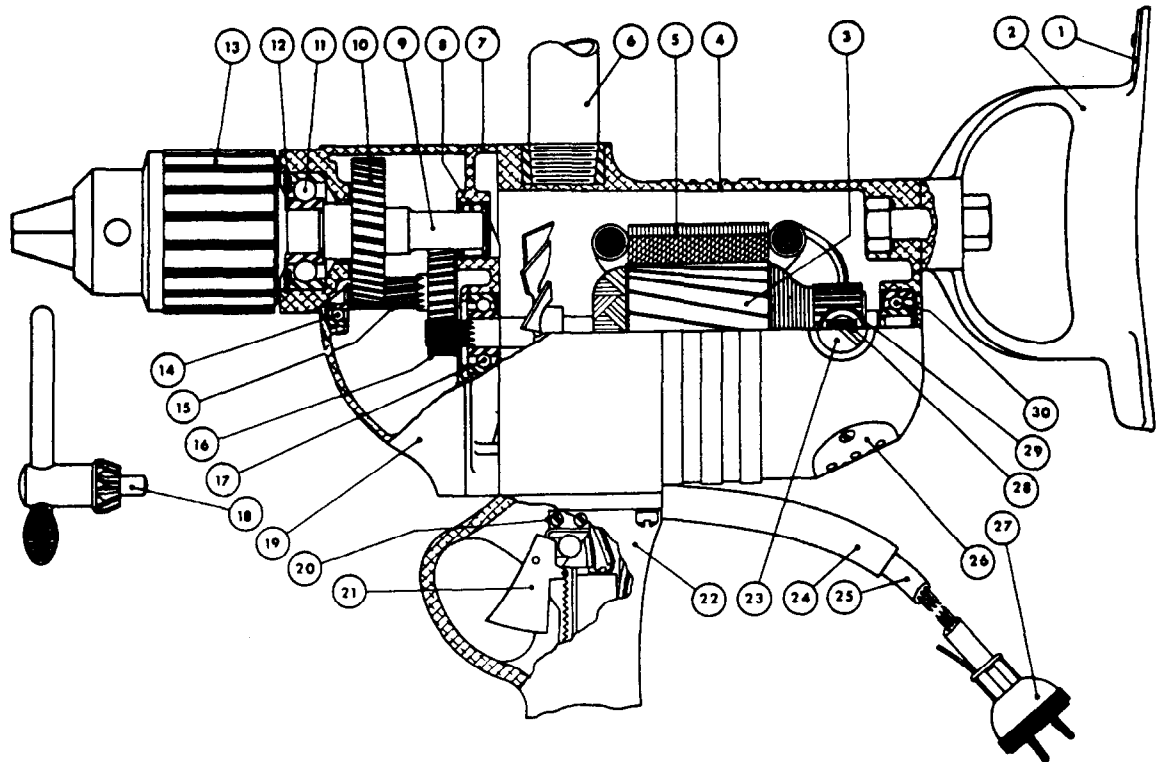


Fig. Part No.	Name of Part	Fig. Part No.	Name of Part
1	88D1-6 Spade Handle Key Clip	16	89D-14 Intermediate Gear
2	88D1-3A Spade Handle	17	WC8011 Armature Ball Brg. (Pinion End)
3	58D-600E Armature Assembly	18	5/8" Chuck Key
4	23D-1 Body or Motor Housing	19	2D-3 Gear Case
5	56V-700 Field Assembly	20	88D-23 Switch Bracket
6	88D-43 Pipe Handle	21	CH8636K1 Switch
7	2D-2 Diaphragm	22	88D1-1A Switch Handle
8	MH-1081 Spindle Needle Bearing	23	88D-400 Brush Retaining Screw Assembly
9	5CK-8A Spindle	24	88D-48 Cord Protector Tube
10	7CK-11A Spindle Gear	25	S#16-3 Cord (3-Wire) per foot
11	ND8603 Spindle Ball Bearing	26	23D-41 Air Intake Cover Plate
12	RR-185 Spindle Ball Brg. Retaining Ring	27	2 Prong Attachment Plug
13	5/8" Chuck (5/8"-16 Thread)	28	88D-370 Carbon Brush Assemblies per set ²
14	ND7039 Inter. Shaft Ball Bearing	29	88D-320 Brush Holder Assembly
15	5CK-13A Intermediate Shaft	30	WC8500 Armature Ball Bearing (Comm. End)

MISCELLANEOUS PARTS (NOT SHOWN)

Size or Part No.	Description of Part	Size or Part No.	Description of Part
MH681	Inter. Shaft Needle Brg.	1/4"-20x1" Fil. Hd.	Gear Case Screws (2)
D-582	Name Plate	1/4"-20x1-3/4" Fil. Hd.	Gear Case Screws (2)
1/2"-13x1 1/2" Hex. Hd.	Spade Handle Bolt (1)	8-32x2 1/4" Rd. Hd.	Field Screws (2)
1/2"-13	Spade Handle Jam Nut (1)	1/4"-20x3/4" Fil. Hd.	Switch Handle Screws (4)
#4x5/16" Driv-In	Spade Handle Key Clip Screw (1)	1/4"-20x1/2" Hdless.	Brush Holder Set Scs. (2)
6-32x1/4" Rd. Hd.	Switch Mounting Screws (2)	#8	Kantlink Lock Washers (2)
6-32x1/4" Fil. Hd.	Switch Bracket Screws (2)	#14	Kantlink Lock Washers (10)
#4x5/16" Driv-In	Name Plate Screws (2)	#2	Woodruff Keys (2)
#6x1/4" P.K.	Air Intake Plate Screws (2)	#3	Woodruff Keys (1)

Prices are subject to change without notice.