

Angle Grinder - 0 601 711 439 - 1711D

www.powertools-aftersaleservice.com



BOSCH

Item	Part Number	Description	Illustration	Price	Quantity	Price Group
1	1 605 108 221	Motor Housing BLUE	1	-,-	1	27
2	1 604 220 308	Field 110-120V	1	-,-	1	34
3/50	1 606 610 132	Fan	1	-,-	1	12
4/4	1 607 200 155	Switch	1	-,-	1	26
4/5	2 604 460 187	Power supply cord USA/CDN 2,68m 2 x 082mm SJ 18/2	1	-,-	1	26
4/6	1 600 703 031	Grommet Ø7,3-Ø8,6x67 MM	1	-,-	1	13
4/51	1 603 415 004	Countersunk-Head Screw	1	-,-	1	10
7	1 601 302 017	Fastening Clamp	1	-,-	1	10
8	1 601 118 F76	Nameplate	1	-,-	1	15
9	1 601 118 C43	Manufacturer's nameplate	1	-,-	1	15
13	2 600 905 032	Deep-Groove Ball Bearing 7x19x6	1	-,-	1	17
14	1 600 905 032	Deep-Groove Ball Bearing 8x22x7	1	-,-	1	18
16	1 601 323 025	Brush Holder	1	-,-	2	15
17	1 604 652 013	Spiral Spring	1	-,-	2	11
25	1 600 508 031	Housing Cover BLUE	1	-,-	1	23
26	1 600 206 036	Rubber Ring	1	-,-	1	11
27	1 600 206 025	Rubber Ring	1	-,-	1	12
29	1 600 591 038	Air-Deflector Ring	1	-,-	1	13
30	1 600 591 014	Air-Deflector Ring	1	-,-	1	13
32	1 603 523 122	Grinding Spindle 5/8"	1	-,-	1	33
33	1 600 210 035	O-Ring 46,0x1,1 MM	1	-,-	1	11
35	1 600 136 013	Shim 0,1 MM THICK	1	-,-	1	13
35	1 600 136 020	Shim 0,15 MM THICK	1	-,-	1	13
35	1 600 136 014	Shim 0,2 MM THICK	1	-,-	1	13
35	1 600 136 015	Shim 0,3 MM THICK	1	-,-	1	13
37	1 600 290 016	Rotary shaft lip seal	1	-,-	1	12
40	1 600 119 011	Spring retaining ring	1	-,-	1	11
41	1 600 910 018	Needle bearing Ø8xØ12x8 MM	1	-,-	1	16
45	1 603 300 016	Hex Nut M7, SW10	1	-,-	1	11
47	2 912 401 018	Tapping Screw DIN7981-ST3,9x13-C-Z	1	-,-	1	10
48	2 912 401 005	Tapping Screw DIN7981-ST2,9x9,5C-Z	1	-,-	3	10
49	1 603 435 026	Thread-forming tap. Screw	1	-,-	4	11
50	1 603 435 051	Tapping Screw ST3,9x32 SILVER	1	-,-	1	11

Item	Part Number	Description	Illustration	Price	Quantity	Price Group
52	1 604 478 015	Connection Part	1	-,-	1	10
55	1 603 415 005	Oval-Head Screw	1	-,-	4	10
59	1 602 025 082	Plug BLUE	1	-,-	1	12
80	3 600 150 021	Sealing disk	1	-,-	1	13
104	1 600 210 044	O-Ring 4,5x1,0 MM BLUE	1	-,-	1	10
105	1 601 071 000	Insulating Plate	1	-,-	2	10
180	1 601 118 C45	Warning Plate	N/A	-,-	1	-
650/10	1 602 025 031	Auxiliary Handle M10, Ø37x115 MM ANTI-VIBRATION	2	-,-	1	28
650/20	3 603 340 501	Clamping-Flange 5/8"-FL+B	2	-,-	1	17
650/30	1 607 950 052	Pin-Type Face-Wrench	2	-,-	1	15
650/50	3 603 340 503	Round Nut 5/8"	2	-,-	1	28
651	1 605 510 362	Protective Cover Ø 125 MM	2	-,-	1	27
803	1 604 010 661	Armature With Fan 110-120V	1	-,-	1	43
810	1 607 014 176	Carbon-Brush Set	1	-,-	1	25
818	1 607 000 729	Switch-Pawl BLACK	1	-,-	1	27
821	1 605 806 504	Gear Housing	1	-,-	1	39
821/010	1 607 000 253	Push-Button BLACK	1	-,-	1	12
828	1 607 000 347	Bearing Flange Ø 110-125 MM	1	-,-	1	27
838	1 600 A00 22W	Gear Unit	1	-,-	1	31

Illustration - Type E

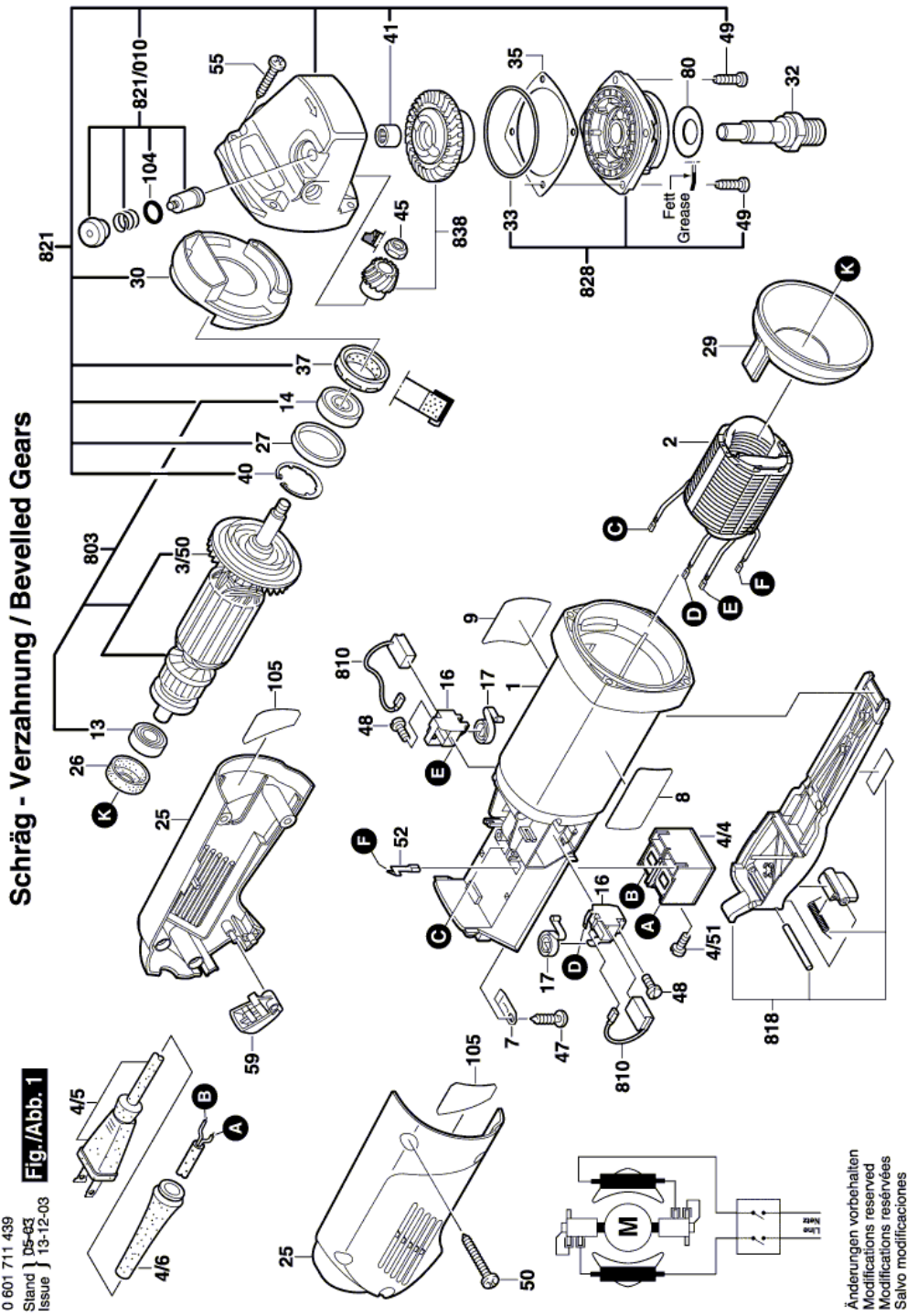
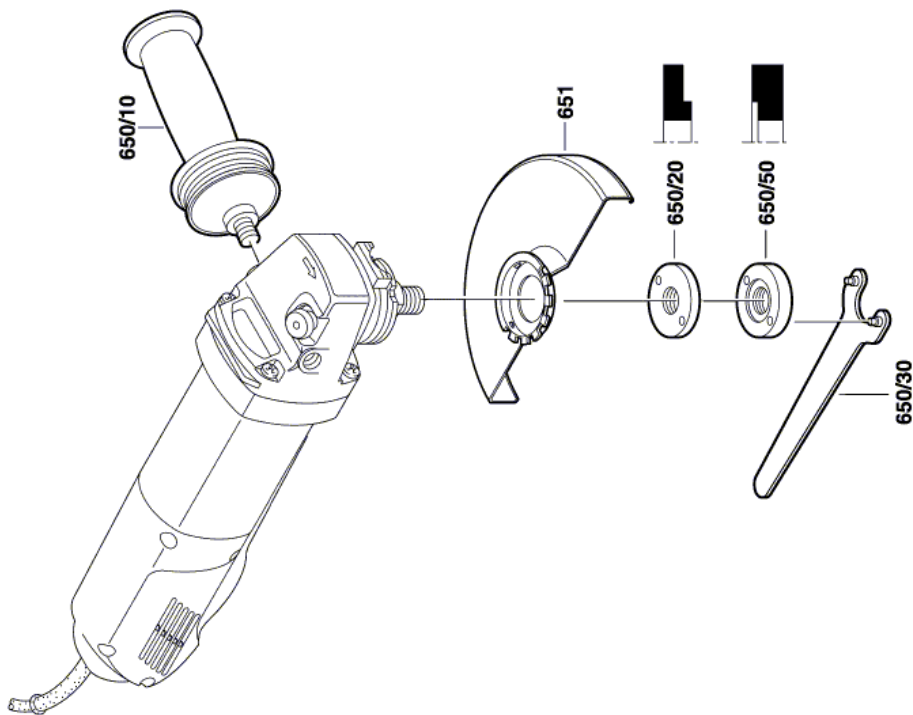


Illustration - Type E



Änderungen vorbehalten
Modifications reserved
Modificaciones reservadas
Salvo modificaciones

0 601 711 439
Stand }
Issue } 04-01-20 **Fig. /Abb. 2**

Information subject to change without further notice.