

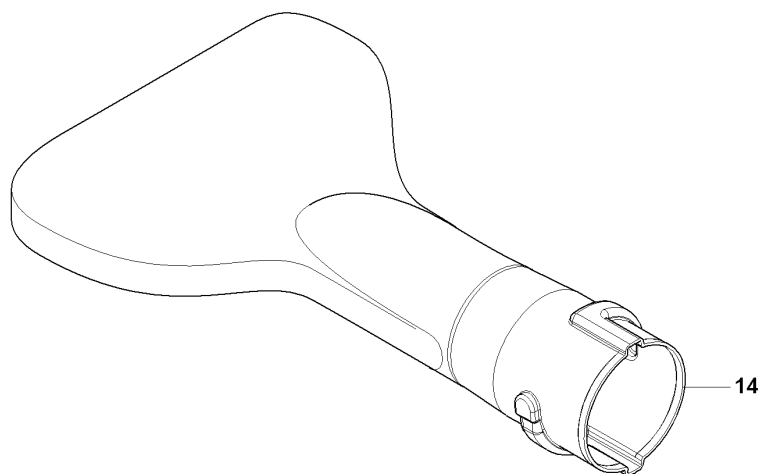
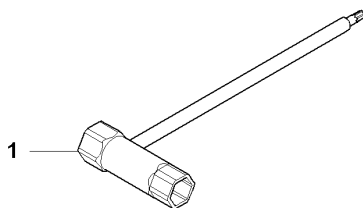


SPARE PARTS LIST

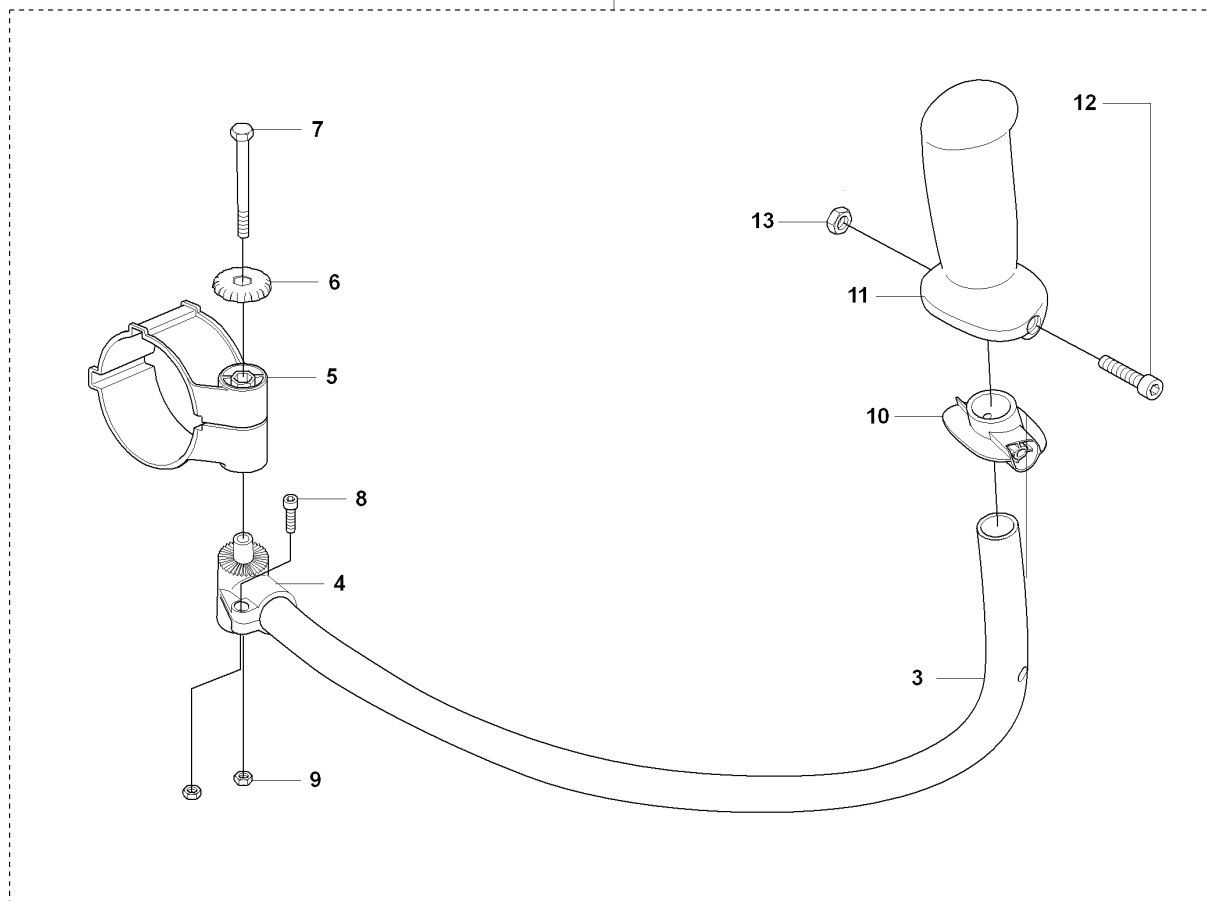
BLOWERS

170 BT, 2008-10

R 170BT, 170BF
 Accessories
 Zubehöre
 Accessoires
 Accesorios
 Tillbehör



2

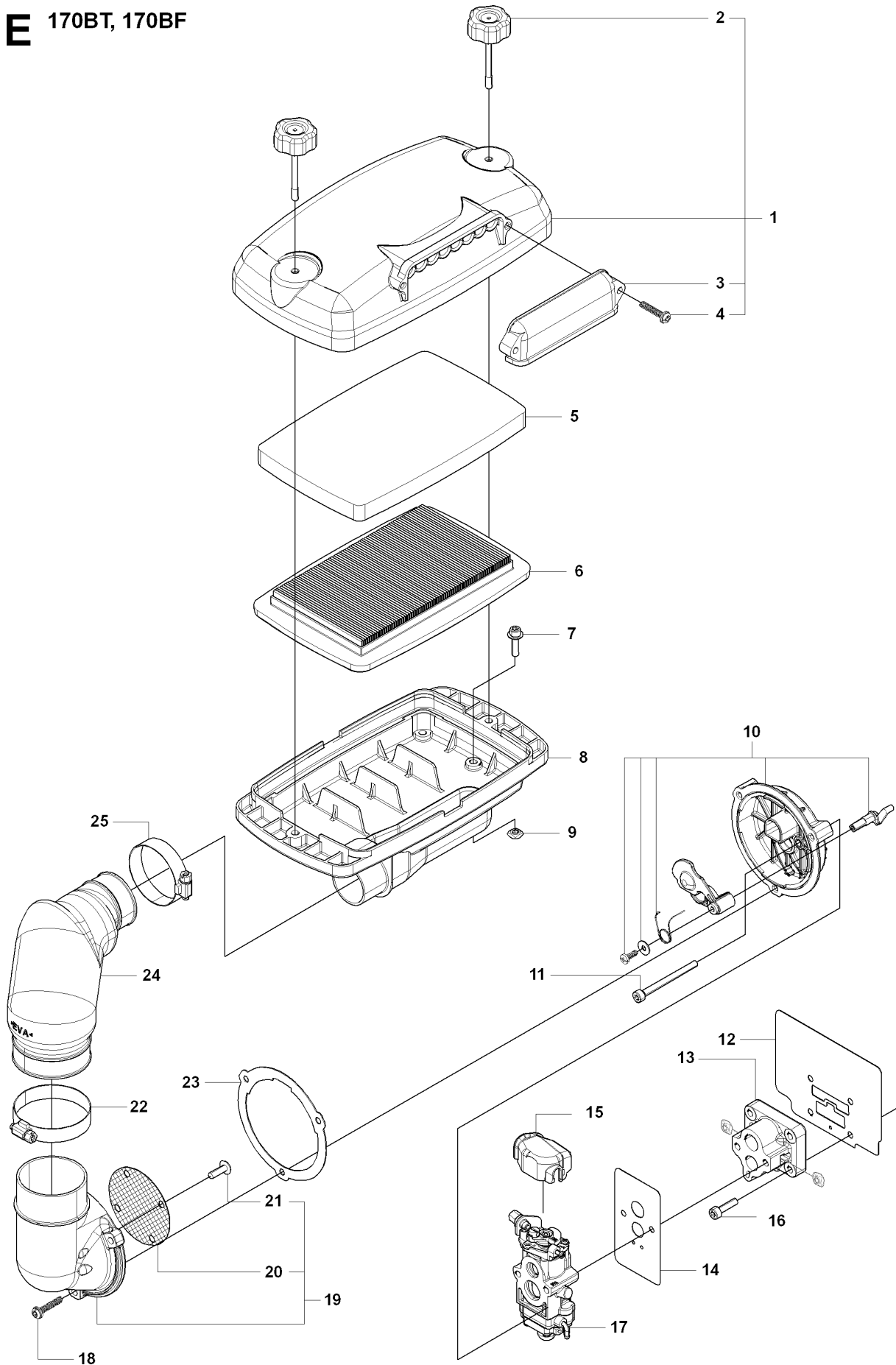


ACCESSORIES

170 BT, 2008-10

Ref	Part no.	Description	Remark	Qty	Kit
1	521 53 30-01	SOCKET		1	
2	544 40 00-01	HANDLEBAR ASSY		1	
3	537 24 13-01	HANDLEBAR		1	
4	537 29 29-01	BRACKET		1	
5	511 79 75-01	HOLDER TH		1	
6	504 80 03-01	TURNING KNOB		1	
7	725 23 47-51	SCREW EHHM		1	
8	725 53 25-55	SCREW IHSCM		1	
9	575 96 06-01	NUT		2	
10	537 17 29-01	COVER		1	
11	537 17 28-01	HANDLE		1	
12	503 20 02-45	SCREW IHSCFM		1	
13	575 96 06-01	NUT		1	
14	511 76 95-01	FLAT NOZZLE		1	

E 170BT, 170BF

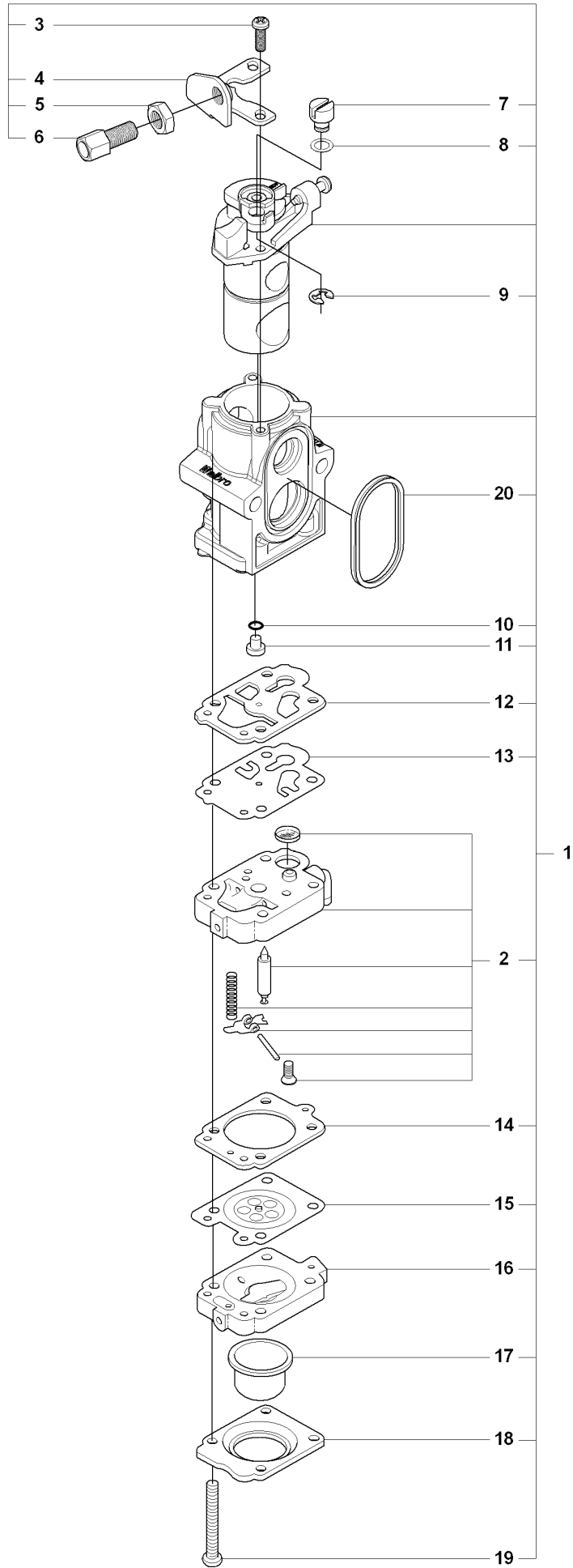


CARBURETOR & AIR FILTER

170 BT, 2008-10

Ref	Part no.	Description	Remark	Qty	Kit
1	511 78 59-01	COVER ASSY		1	
2	544 27 14-01	KNOB BOLT		2	
3	544 27 13-01	COVER		1	
4	512 84 81-01	SCREW		2	
5	512 65 41-01	ELEMENT		1	
6	512 65 20-01	ELEMENT		1	
7	512 84 56-01	BOLT		4	
8	544 27 11-01	BODY		1	
9	544 27 21-01	NUT		4	
10	544 36 31-01	CUP ASSY		1	
11	515 39 07-01	BOLT		2	
12	521 62 75-01	GASKET		1	
13	521 62 74-01	INSULATOR		1	
14	521 62 76-01	GASKET		1	
15	506 74 42-01	COVER		1	
16	521 51 65-01	BOLT		4	
17	544 36 30-01	CARBURETTOR		1	
18	512 84 81-01	SCREW		3	
19	521 63 20-01	CUP COVER-ASSY		1	
20	521 63 25-01	SCREEN		1	
21	513 30 36-01	SCREW		2	
22	544 27 19-01	CLAMP		1	
23	521 63 26-01	GASKET		1	
24	511 78 60-01	HOSE		1	
25	544 27 18-01	CLAMP		1	

Q 170BT, 170BF

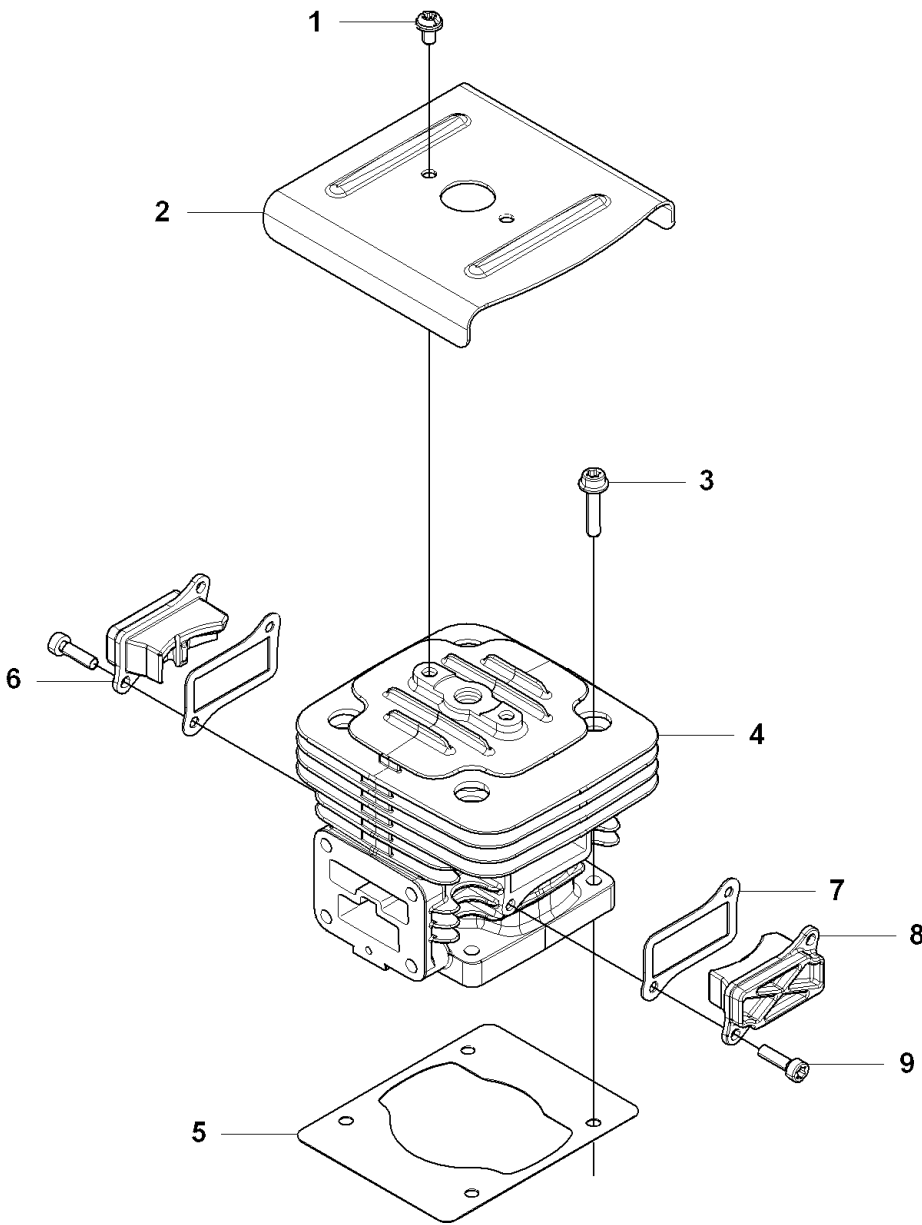


CARBURETOR DETAILS

170 BT, 2008-10

Ref	Part no.	Description	Remark	Qty	Kit
1	544 36 30-01	CARBURETTOR		1	
2	544 36 35-01	BODY CARBURETTOR		1	
3	505 30 79-01	SCREW		2	
4	506 74 60-01	BRACKET		1	
5	506 61 26-01	NUT		1	
6	506 74 13-01	SCREW		1	
7	506 74 12-01	SWIVEL		1	
8	506 74 61-01	WASHER		1	
9	506 73 86-01	RING		1	
10	505 30 75-01	O-RING		1	
11	544 36 53-01	JET		1	
12	506 74 51-01	GASKET		1	
13	506 68 98-01	DIAPHRAGM		1	
14	506 74 08-01	GASKET		1	
15	505 30 68-01	DIAPHRAGM		1	
16	506 74 09-01	BODY		1	
17	505 30 67-01	PUMP		1	
18	506 74 10-01	COVER		1	
19	506 74 11-01	SCREW		4	
20	521 63 15-01	RING		1	

J 170BT, 170BF

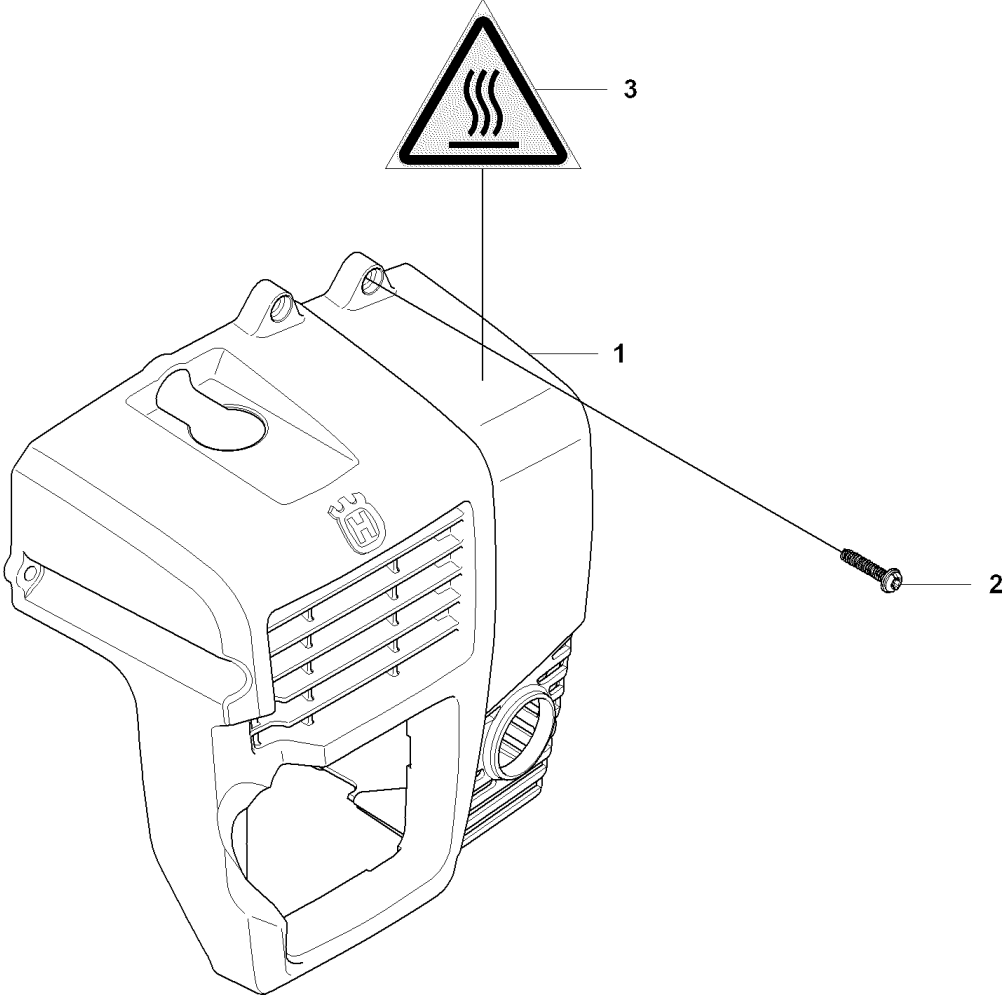


CYLINDER

170 BT, 2008-10

Ref	Part no.	Description	Remark	Qty	Kit
1	544 25 68-01	SCREW		2	
2	521 62 72-01	PLATE		1	
3	584 63 38-01	BOLT		4	
4	544 25 64-01	CYLINDER		1	
5	521 62 68-01	GASKET		1	
6	544 25 74-01	COVER		1	
7	521 62 71-01	GASKET		2	
8	544 25 73-01	COVER		1	
9	506 74 57-01	BOLT		4	

C 170BT, 170BF

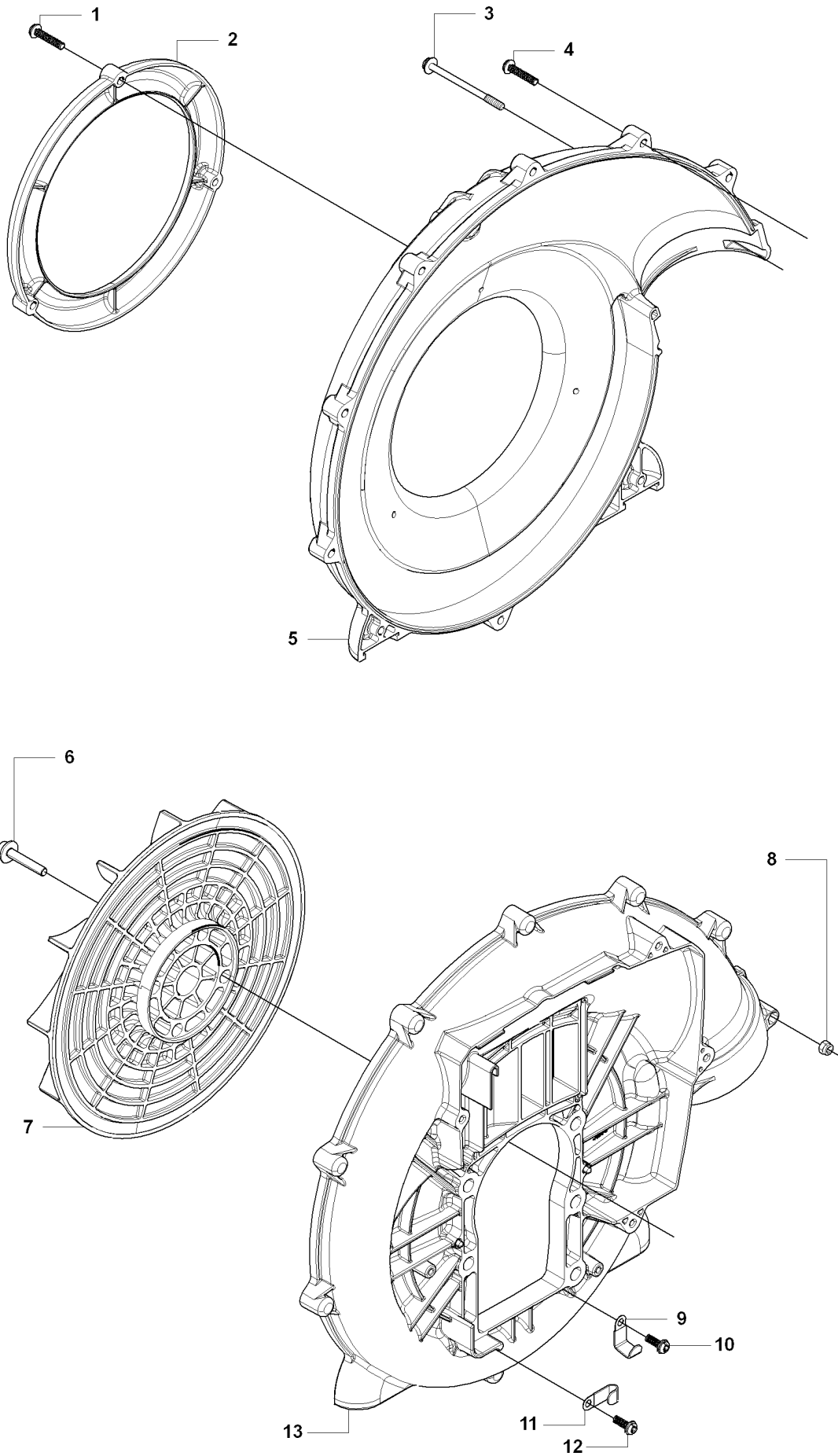


CYLINDER COVER

170 BT, 2008-10

Ref	Part no.	Description	Remark	Qty	Kit
1	511 79 16-01	ENGINECOVER		1	
2	512 84 81-01	SCREW		5	
3	521 55 36-01	LABEL		1	

M 170BT, 170BF



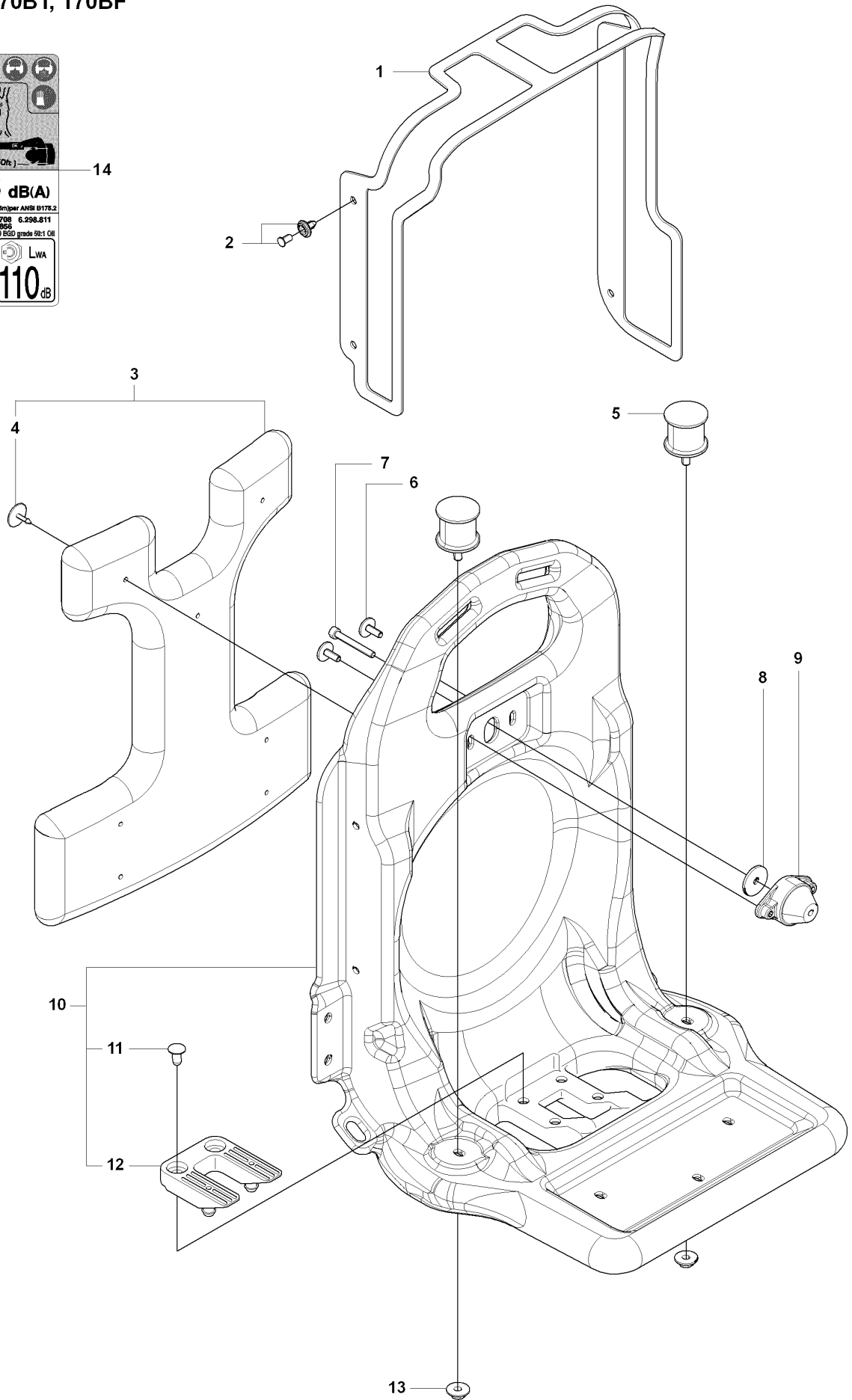
Ref	Part no.	Description	Remark	Qty	Kit
1	512 84 81-01	SCREW		3	
2	511 80 52-01	FUNNEL		1	
3	544 26 46-01	SCREW		2	
4	512 84 81-01	SCREW		9	
5	511 80 50-01	VOLUTE COVER		1	
6	510 90 61-01	BOLT		4	
7	513 66 59-01	FAN		1	
8	514 18 39-01	NUT		2	
9	504 12 23-01	CLIP		1	
10	512 84 79-01	SCREW		1	
11	521 52 51-01	CLAMP		1	
12	512 84 79-01	SCREW		1	
13	511 80 49-01	VOLUTE CASE		1	

N 170BT, 170BF



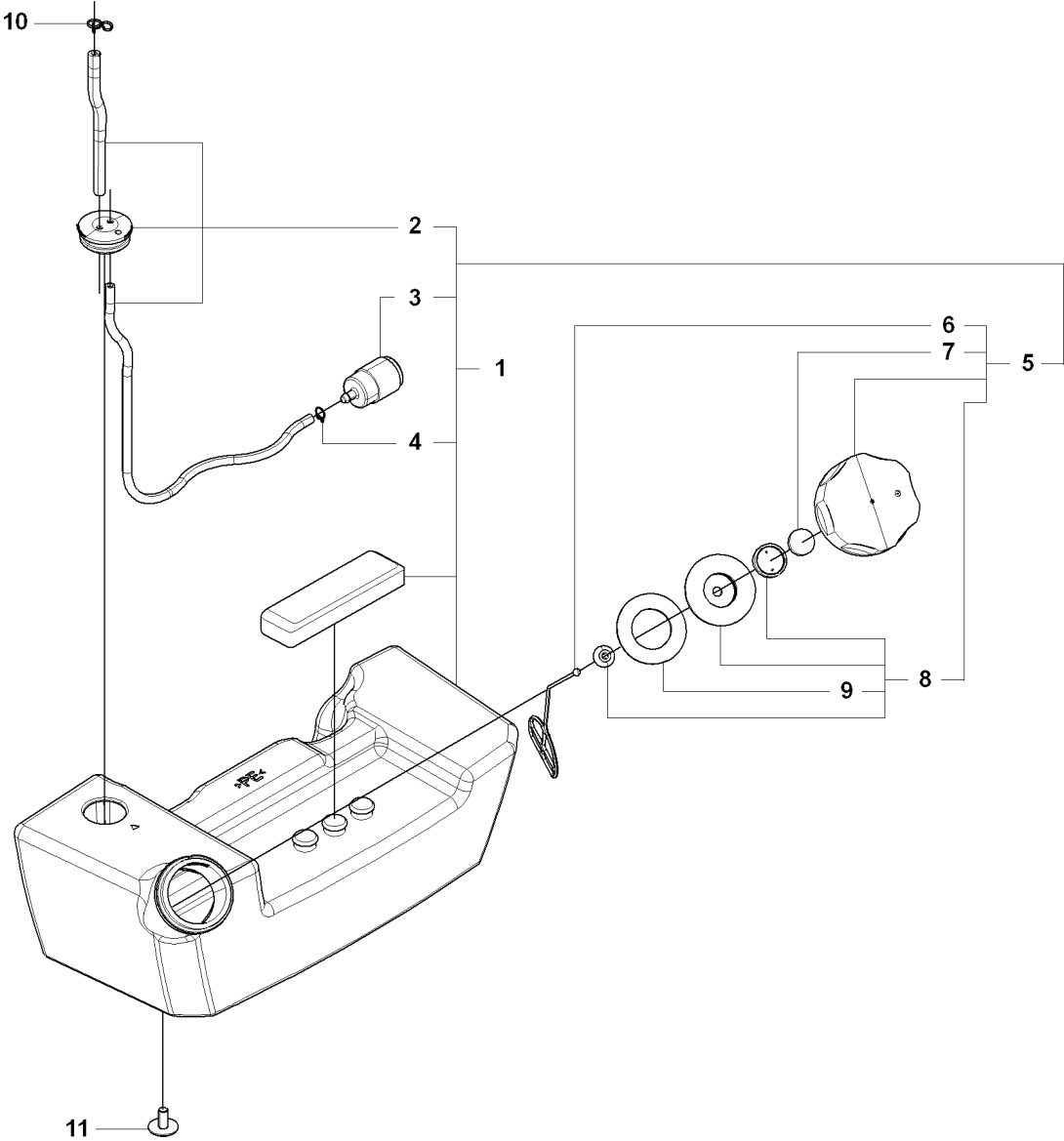
USA **76 dB(A)**
Category 1
measured at 80m (16m) per ANSI S117.2
U.S. 6.112.708 6.298.811
PATENT NO. 6.298.856
Use JHSO P2 or ISO 1500 grade SR-1 CH

EUROPE **110 dB**
LWA
N452
CE
MPC



Ref	Part no.	Description	Remark	Qty	Kit
1	511 80 09-01	NET		1	
2	544 27 04-01	CLIP		4	
3	544 27 01-01	PAD COMP		1	
4	544 27 02-01	CLIP		7	
5	513 66 73-01	DAMPER		2	
6	544 27 08-01	SCREW		2	
7	521 51 72-01	BOLT		1	
8	521 52 00-01	WASHER		1	
9	513 66 67-01	DAMPER		1	
10	544 26 96-01	FRAME-C		1	
11	544 27 04-01	CLIP		2	
12	511 80 20-01	CUSHION		1	
13	513 66 75-01	NUT		2	
14	511 81 14-01	LABEL		1	

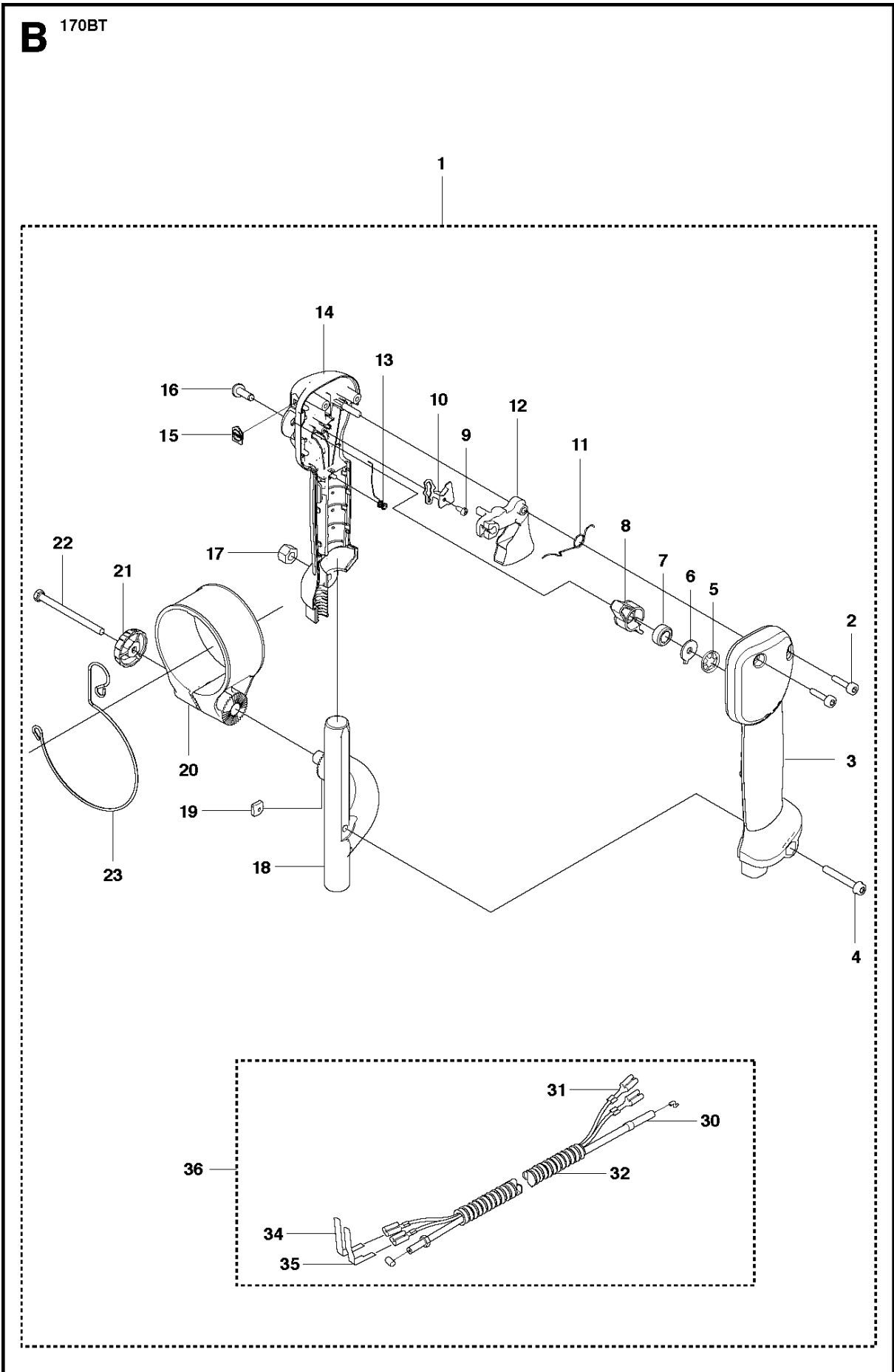
G 170BT, 170BF



FUEL TANK

170 BT, 2008-10

Ref	Part no.	Description	Remark	Qty	Kit
1	544 27 22-01	TANK ASSY	EU	1	
1	522 61 41-01	TANK ASSY.EVP	US	1	
2	579 13 83-03	HOSE ASSY		1	
3	575 96 06-01	NUT		1	
4	506 70 70-01	CLIP		1	
5	504 11 77-01	TANK CAP ASSY		1	
6	506 74 58-01	STOPPER		1	
7	506 74 68-01	FILTER		1	
8	515 36 94-01	HOLDER-A		1	
9	506 74 43-01	PACKING		1	
10	506 74 15-01	CLIP		1	
11	544 27 31-01	SCREW		3	

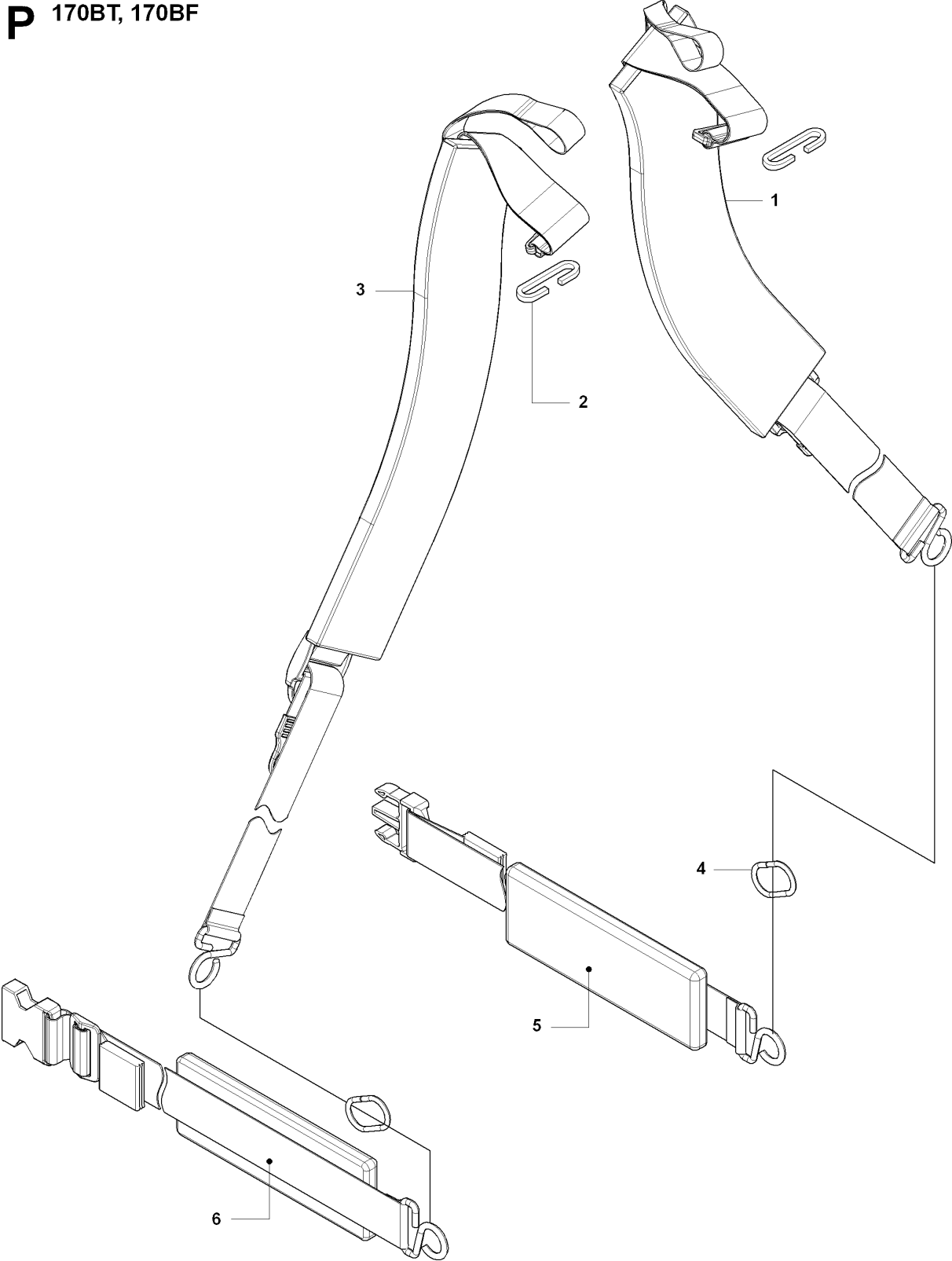


HANDLE & CONTROLS

170 BT, 2008-10

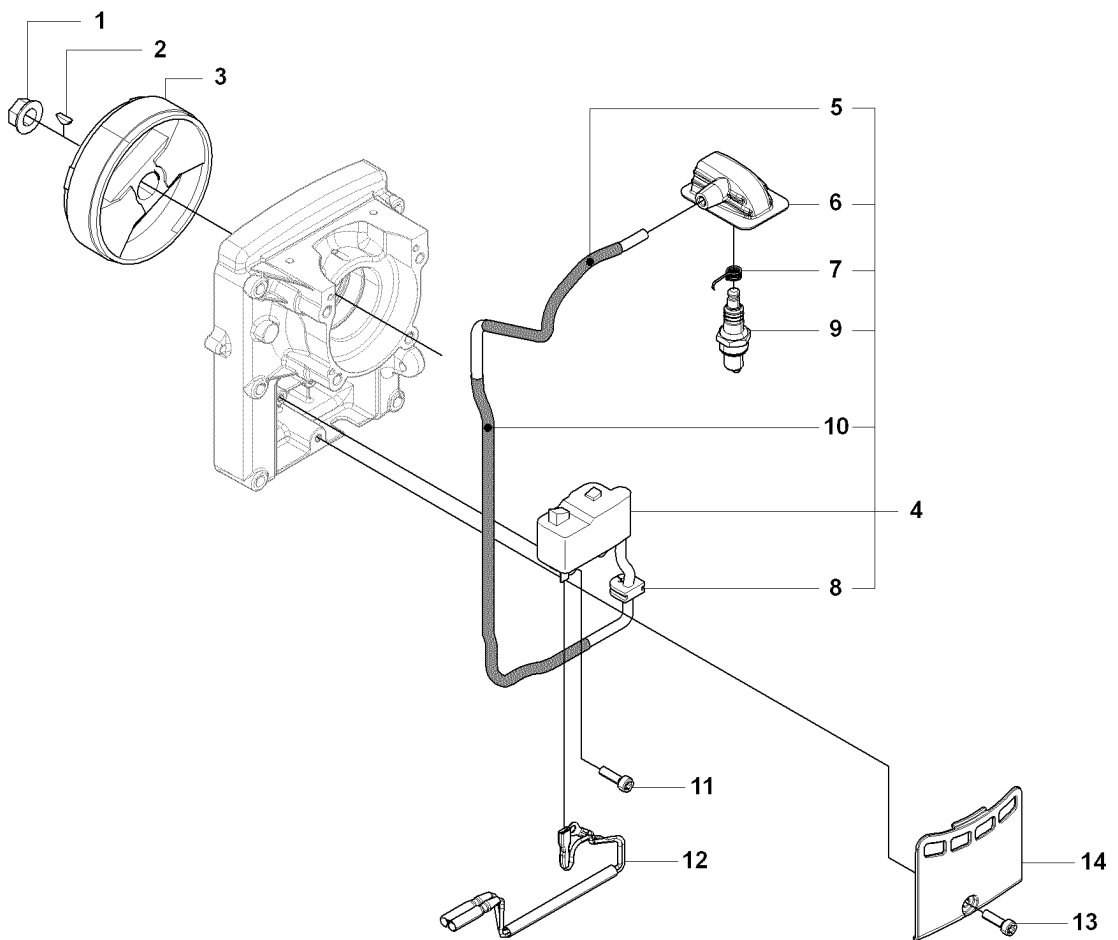
Ref	Part no.	Description	Remark	Qty	Kit
1	528 91 12-01	LEVER SET		1	
2	503 21 66-18	SCREW IHSC		2	
3	502 24 49-01	HANDLE HALF		1	
4	505 29 08-01	SCREW		1	
5	735 58 35-01	WASHER		1	
6	505 18 15-01	WASHER		1	
7	537 37 39-01	SPRING		1	
8	502 24 55-01	CONTROL		1	
9	505 29 10-01	SCREW		1	
10	502 24 60-01	RETAINER		1	
11	537 17 42-01	SPRING THROTTLE TRIG		1	
12	502 24 54-01	TRIGGER		1	
13	505 56 79-01	SPRING		1	
14	502 24 48-01	HANDLE HALF		1	
15	502 64 17-01	PLATE		1	
16	537 14 12-03	SHAFT PIVOT		1	
17	510 91 12-01	NUT		1	
18	502 24 53-01	HOLDER		1	
19	503 22 65-04	SQUARE NUT		1	
20	511 79 75-01	HOLDER TH		1	
21	504 80 03-01	TURNING KNOB		1	
22	725 23 44-51	SCREW EHHM		1	
23	544 27 60-01	CLAMP		1	
30	522 48 31-01	CABLE		1	
31	522 48 30-01	CORD		1	
32	522 48 34-01	TUBE		1	
34	537 22 63-01	CONNECTOR		1	
35	537 22 62-01	CONNECTOR		1	
36	575 99 38-01	WIRING ASSY		1	

P 170BT, 170BF



Ref	Part no.	Description	Remark	Qty	Kit
1	511 80 29-01	BAND ASSY(R)		1	
2	544 27 00-01	CLIP		2	
3	511 80 30-01	BAND ASSY (L)		1	
4	514 33 16-01	RING		2	
5	511 80 36-01	BAND B(R)		1	
6	511 80 38-01	BAND B(L)		1	

H 170BT, 170BF

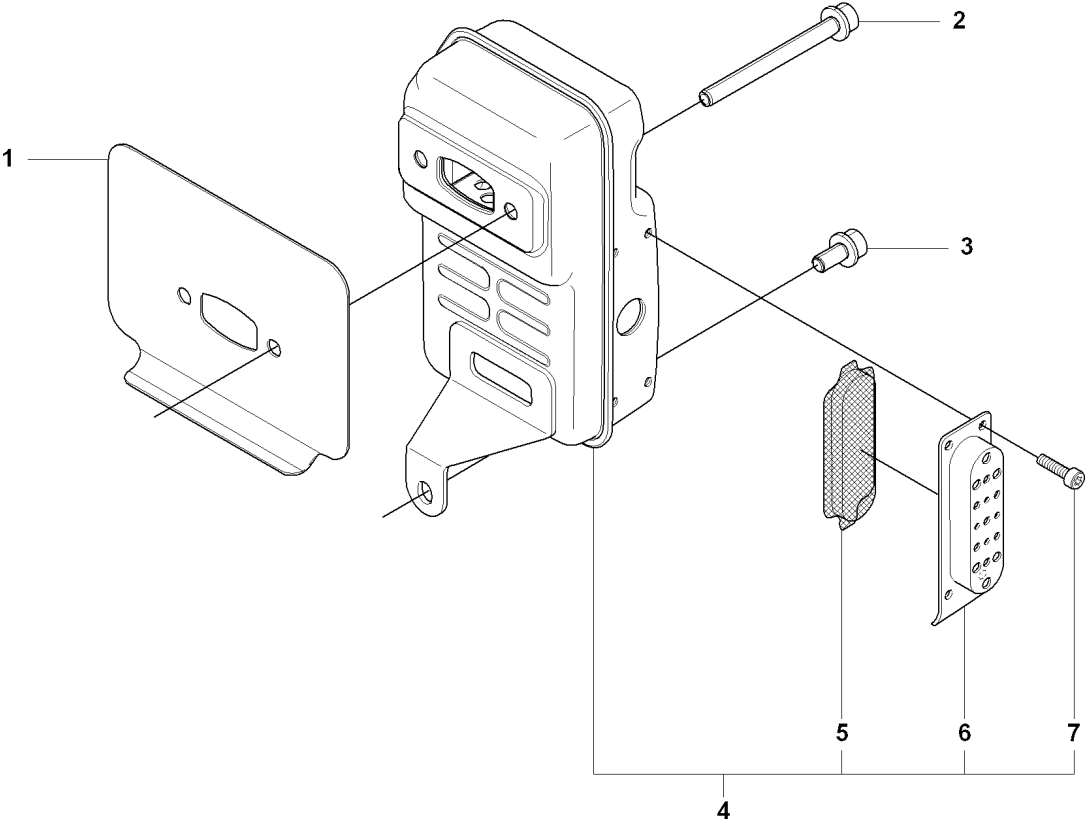


IGNITION SYSTEM

170 BT, 2008-10

Ref	Part no.	Description	Remark	Qty	Kit
1	513 24 19-01	NUT		1	
2	506 68 94-01	KEY		1	
3	574 81 42-01	FLYWHEEL		1	
4	574 81 87-01	COIL		1	
5	511 49 35-01	TUBE		1	
6	512 44 40-01	HUB CAP		1	
7	506 65 52-01	SPRING		1	
8	515 41 53-01	GROMMET		1	
9	506 61 51-01	SPARK PLUG		1	
10	544 36 29-01	TUBE		1	
11	506 74 57-01	BOLT		2	
12	505 18 37-01	CORD		1	
13	506 74 57-01	BOLT		1	
14	513 66 39-01	COVER		1	

F 170BT, 170BF

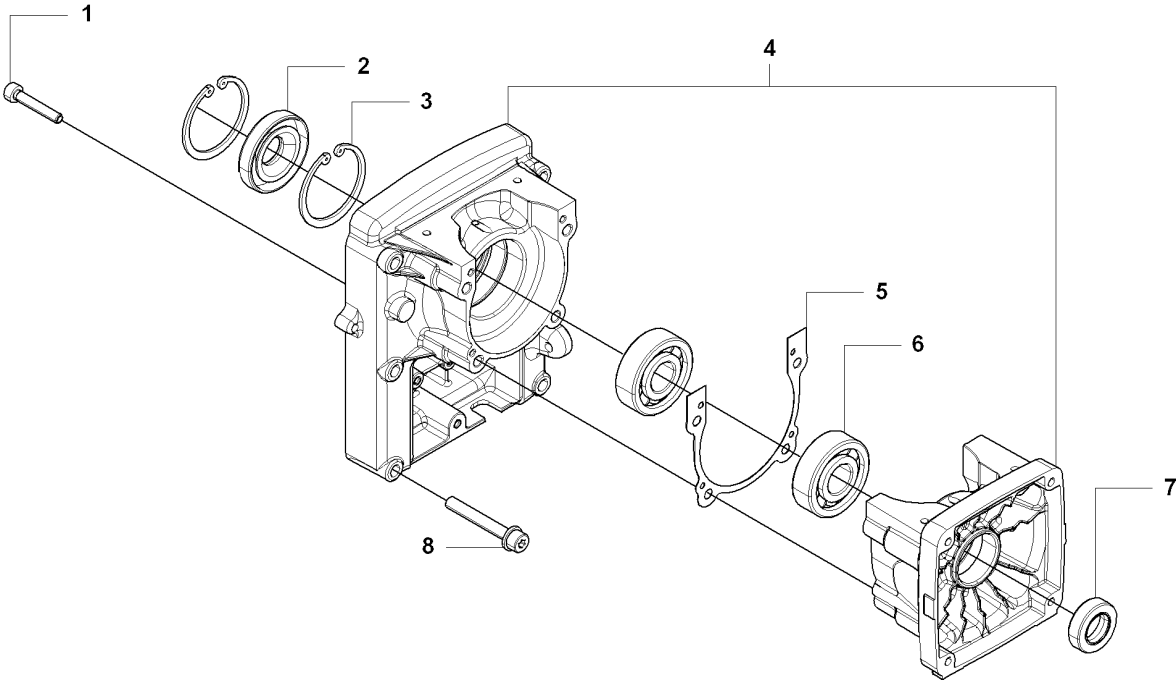


MUFFLER

170 BT, 2008-10

Ref	Part no.	Description	Remark	Qty	Kit
1	504 79 61-01	GASKET		1	
2	584 63 39-01	BOLT		2	
3	544 25 80-01	BOLT		1	
4	544 25 77-01	MUFFLER		1	
5	544 25 78-01	SPARK ARRESTER		1	
6	544 36 26-01	DEFLECTOR		1	
7	544 36 27-01	BOLT		4	

K 170BT, 170BF

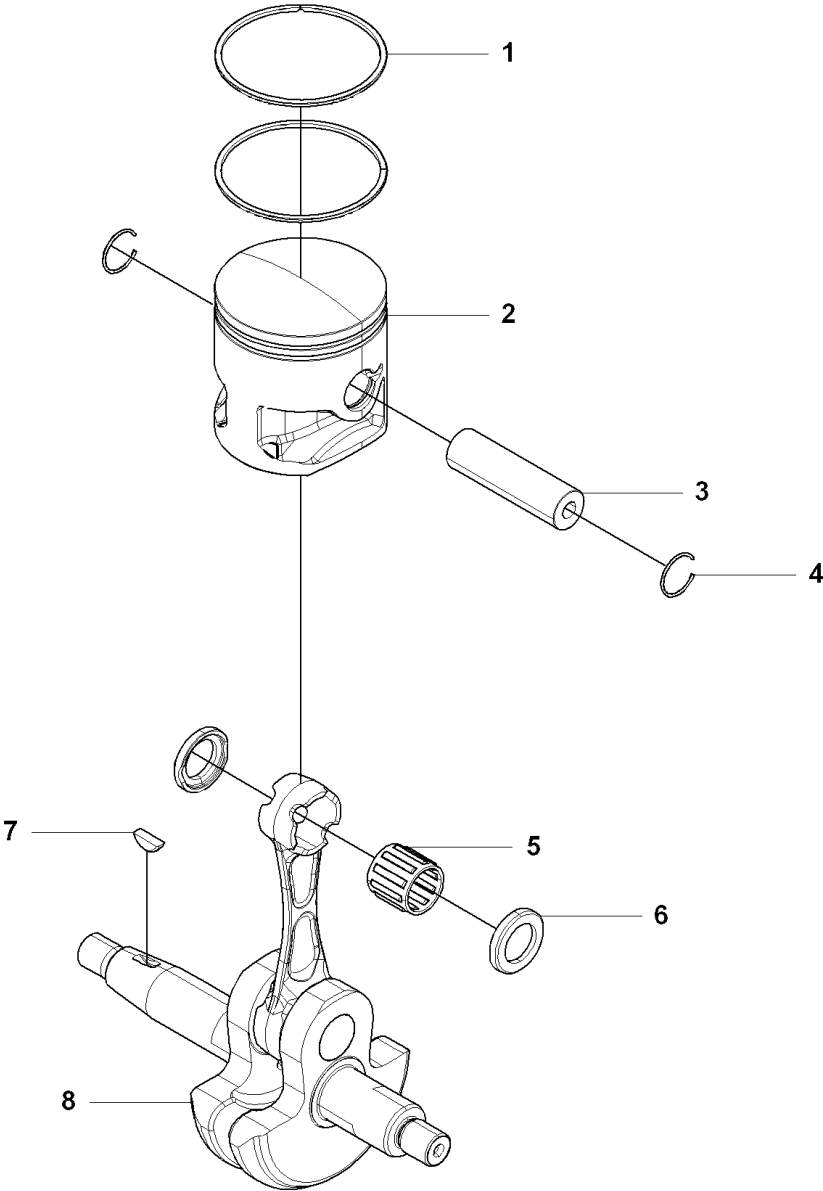


PISTON & CRANKSHAFT

170 BT, 2008-10

Ref	Part no.	Description	Remark	Qty	Kit
1	515 38 81-01	BOLT		4	
2	521 52 20-01	SEAL		1	
3	516 12 62-01	SNAP-RING		2	
4	521 62 82-01	CASE-COMP		1	
5	521 62 83-01	GASKET		1	
6	521 52 13-01	BEARING		2	
7	521 52 19-01	SEAL		1	
8	576 81 04-01	BOLT		1	

L 170BT, 170BF

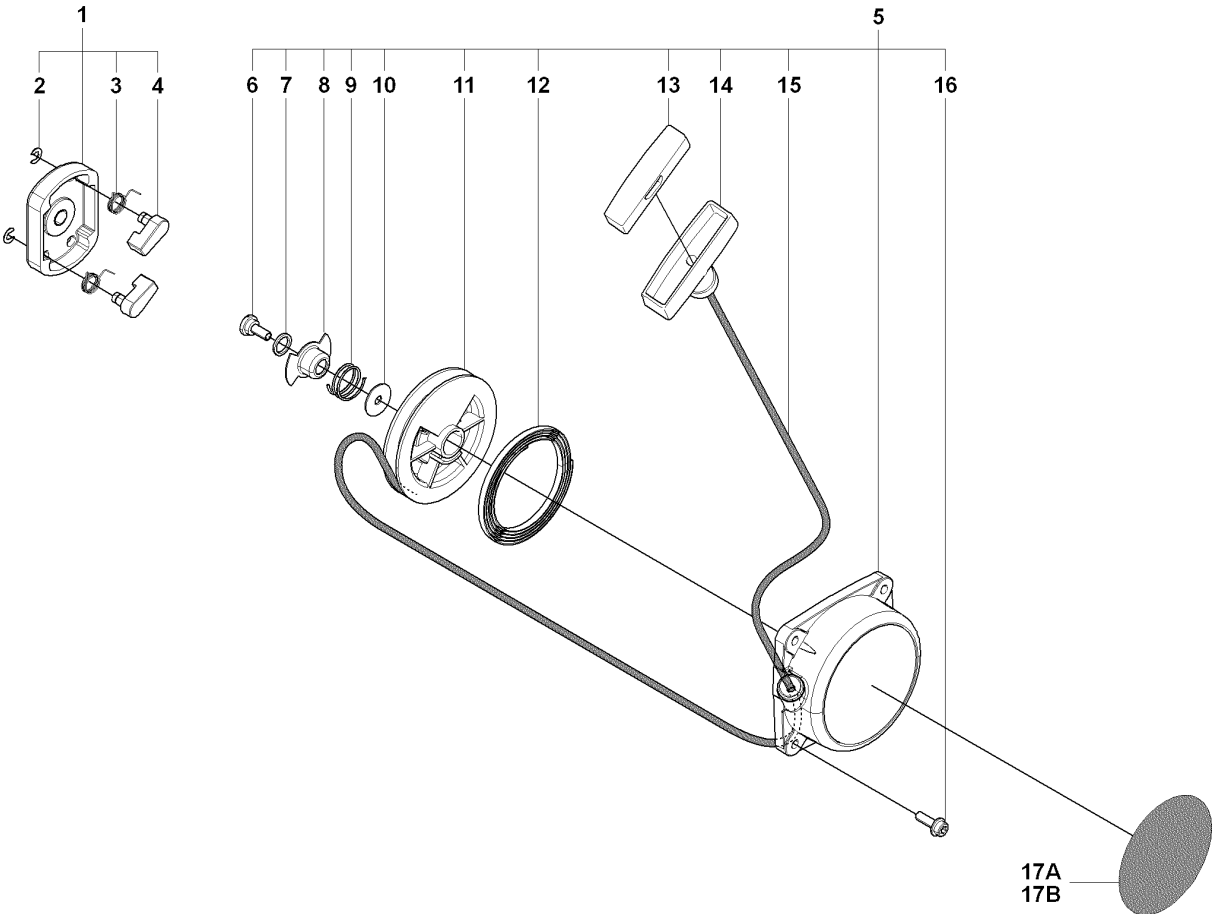


PISTON & CRANKSHAFT

170 BT, 2008-10

Ref	Part no.	Description	Remark	Qty	Kit
1	544 25 93-01	PISTON RING		2	
2	544 25 92-01	PISTON		1	
3	544 25 94-01	PISTON PIN		1	
4	521 53 19-01	SNAP-RING		2	
5	521 52 08-01	ROLLER BEARING		1	
6	521 52 05-01	WASHER		2	
7	506 68 94-01	KEY		1	
8	521 62 88-01	SHAFT-COMP		1	

D 170BT, 170BF

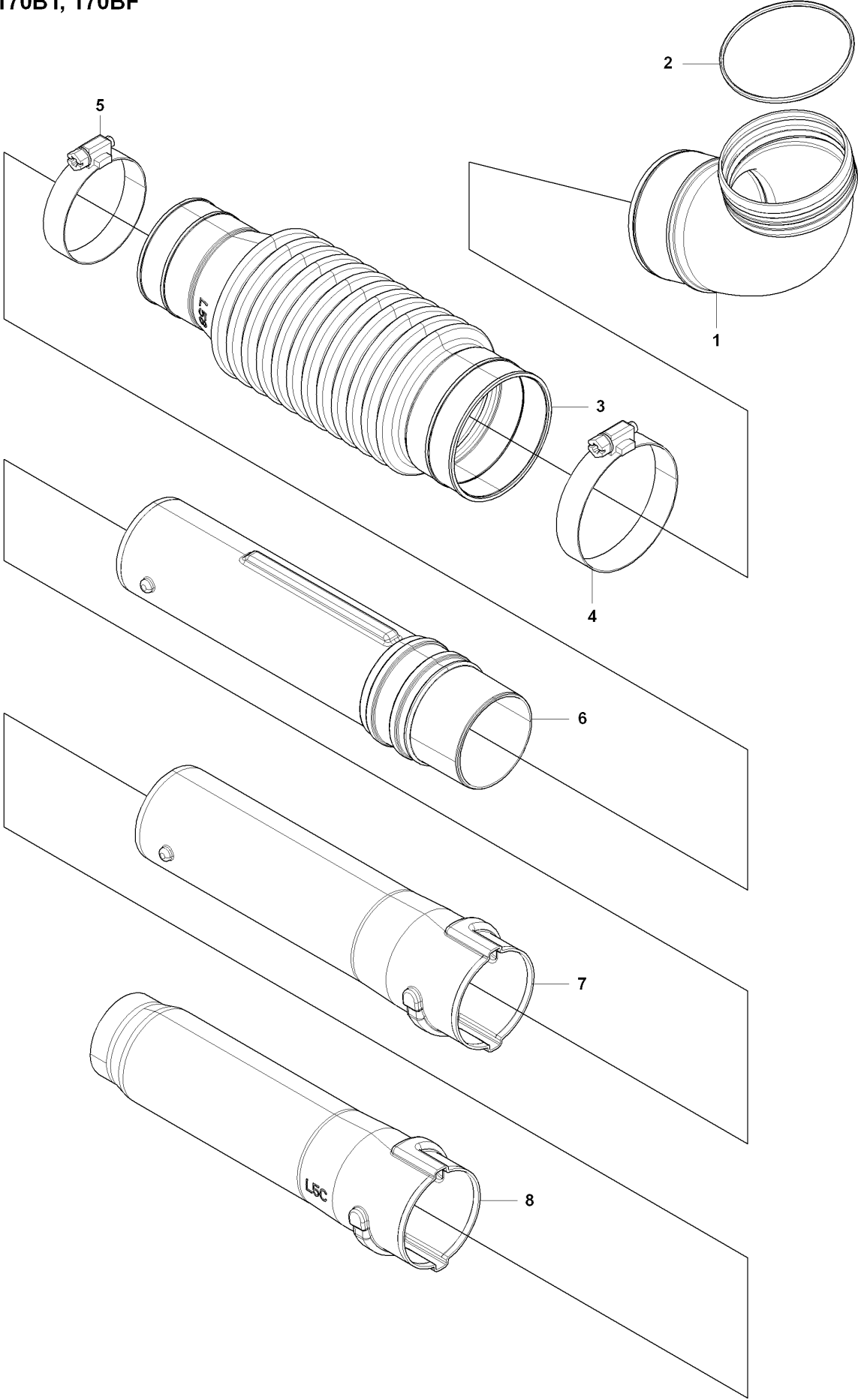


STARTER

170 BT, 2008-10

Ref	Part no.	Description	Remark	Qty	Kit
1	521 62 95-01	PULLEY-ASSY		1	
2	513 16 77-01	E-RING		2	
3	521 63 84-01	SPRING		2	
4	521 63 10-01	RATCHET		2	
5	521 62 93-01	RECOIL-ASSY		1	
6	515 36 71-01	SCREW		1	
7	521 63 12-01	WASHER		1	
8	521 63 03-01	PLATE		1	
9	521 63 06-01	SPRING		1	
10	521 63 08-01	WASHER		1	
11	521 62 99-01	REEL		1	
12	521 62 96-01	SPRING		1	
13	521 63 13-01	COVER		1	
14	521 63 00-01	KNOB		1	
15	521 53 18-01	ROPE		1	
16	506 74 56-01	BOLT		4	
17A	511 80 92-01	LABEL.RECOIL		1	
17B	511 81 27-01	LABEL.RECOIL		1	

A 170BT, 170BF



Ref	Part no.	Description	Remark	Qty	Kit
1	511 78 54-01	ELBOW		1	
2	581 45 19-01	O-RING		1	
3	577 07 88-01	PIPE		1	
4	544 27 41-01	CLAMP		1	
5	544 27 40-01	CLAMP		1	
6	505 18 11-01	SWIVEL		1	
7	511 76 82-01	PIPE.STRAIGHT		2	
8	511 80 63-01	PIPE.END		1	