



# SERVICE PARTS LIST

## 1/2" ELECTRIC DRILL

**Catalog No. 1704-1**

Starting  
Serial No. **565-1001**

**BUL. 54-12-1100**

REVISED BUL. DATE  
Aug '78

WIRING INSTRUCTIONS  
**58-01-0286**

Specify Catalog and Serial No. when ordering parts

600 R.P.M.  
10 AMPS

FOR CAT. NO. 1704-3 (240V) TOOL USE:

16-76-0080 ARMATURE  
18-76-0070 FIELD  
22-64-4100 CORD SET

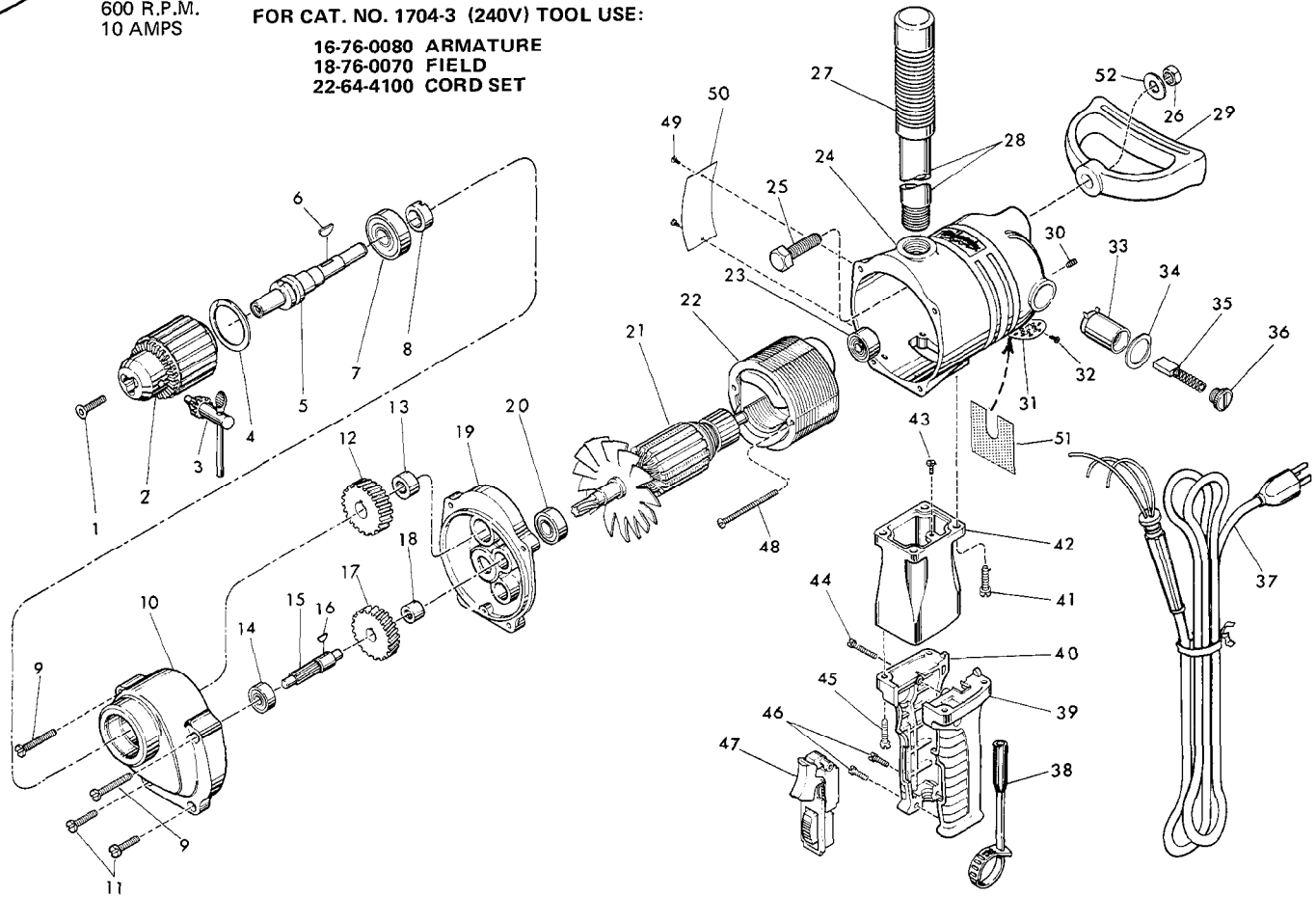


FIG.	PART NO.	DESCRIPTION OF PART	NO. REQ.	FIG.	PART NO.	DESCRIPTION OF PART	NO. REQ.
1	06-81-2900	1/4-20x1 Flat Hd. Screw	(1)	28	43-62-0120	Pipe Handle	(1)
2	48-66-1480	1/2" Rev. Chuck (Includes Fig. No. 3)	(1)	29	31-44-1050	Spade Handle	(1)
3	48-66-3120	Chcuk Key	(1)	30	06-83-2650	1/4-20x3/8 Knrl. Set Screw	(2)
4	34-80-3450	Retaining Ring	(1)	31	44-66-0180	Cover Plate	(1)
5	38-50-2681	Reversing Spindle	(1)	32	06-81-8650	6-32x1/4 Rd. Hd. Sem	(2)
6	06-42-2000	Woodruff Key	(1)	33	22-22-1015	Brush Holder	(2)
7	02-04-2050	Ball Bearing	(1)	34	23-86-0060	Insulating Washer	(2)
8	45-36-0200	Spacer for Tapered Spindle	(1)	35	22-18-0055	Carbon Brush	(2)
9	06-81-7950	1/4-20x1-3/4 Fil. Hd. Sem	(2)	36	23-44-0030	Brush Retaining Screw	(2)
10	28-14-0201	Gear Case	(1)	37	22-64-0386	Cord Set	(1)
11	06-81-7850	1/4-20x1 Fil. Hd. Sem	(2)	38	48-66-4020	Key Holder	(1)
12	32-75-1581	Spindle Gear	(1)	39	31-44-0510	Left Handle Half	(1)
13	02-50-4040	Needle Bearing	(1)	40	31-44-0500	Right Handle Half	(1)
14	02-04-0910	Ball Bearing	(1)	41	06-81-7800	1/4-20x3/4 Fil. Hd. Sem	(4)
15	36-66-1951	Intermediate Pinion Shaft	(1)	42	28-86-1601	Spacer	(1)
16	06-42-1600	Woodruff Key	(1)	43	06-81-8625	6-32x1/4 Ground Screw	(1)
17	32-40-1001	Intermediate Gear	(1)	44	06-81-6402	8-32x1-1/8 Fil. Hd. Sem	(1)
18	02-50-2450	Needle Bearing	(1)	45	06-81-7550	12-24x3/4 Fil. Hd. Sem	(4)
19	28-28-0101	Diaphragm (Includes 06-65-1206 Pin)	(1)	46	06-81-6202	8-32x5/8 Fil. Hd. Sem	(2)
20	02-04-1265	Ball Bearing	(1)	47	23-66-0581	Reversing Switch	(1)
21	16-70-0080	120 Volt Armature	(1)	48	06-81-9190	10-24x2-1/4 Rd. Hd. Sem	(2)
22	18-70-0070	120 Volt Field	(1)	49	06-85-0200	Nameplate Screw	(2)
23	02-04-1070	Ball Bearing	(1)	50	12-99-0040	Nameplate Blank	(1)
24	28-50-4161	Motor Housing (Includes Fig. Nos 25 & 26)	(1)	51	23-16-0830	Arc Insulator	(1)
25	06-75-0850	1/2-13x1-1/2 Hex Hd. Screw	(1)	52	45-88-0310	Flat Washer	(1)
26	06-55-2850	1/2-13 Hex Nut	(1)	53	12-98-7081	Caution Plate (Not Shown)	(1)
27	43-62-0242	Handle Grip	(1)				