

## All Purpose Vacuum Cleaners - 1 981 000 696 - 1702

www.powertools-aftersaleservice.com

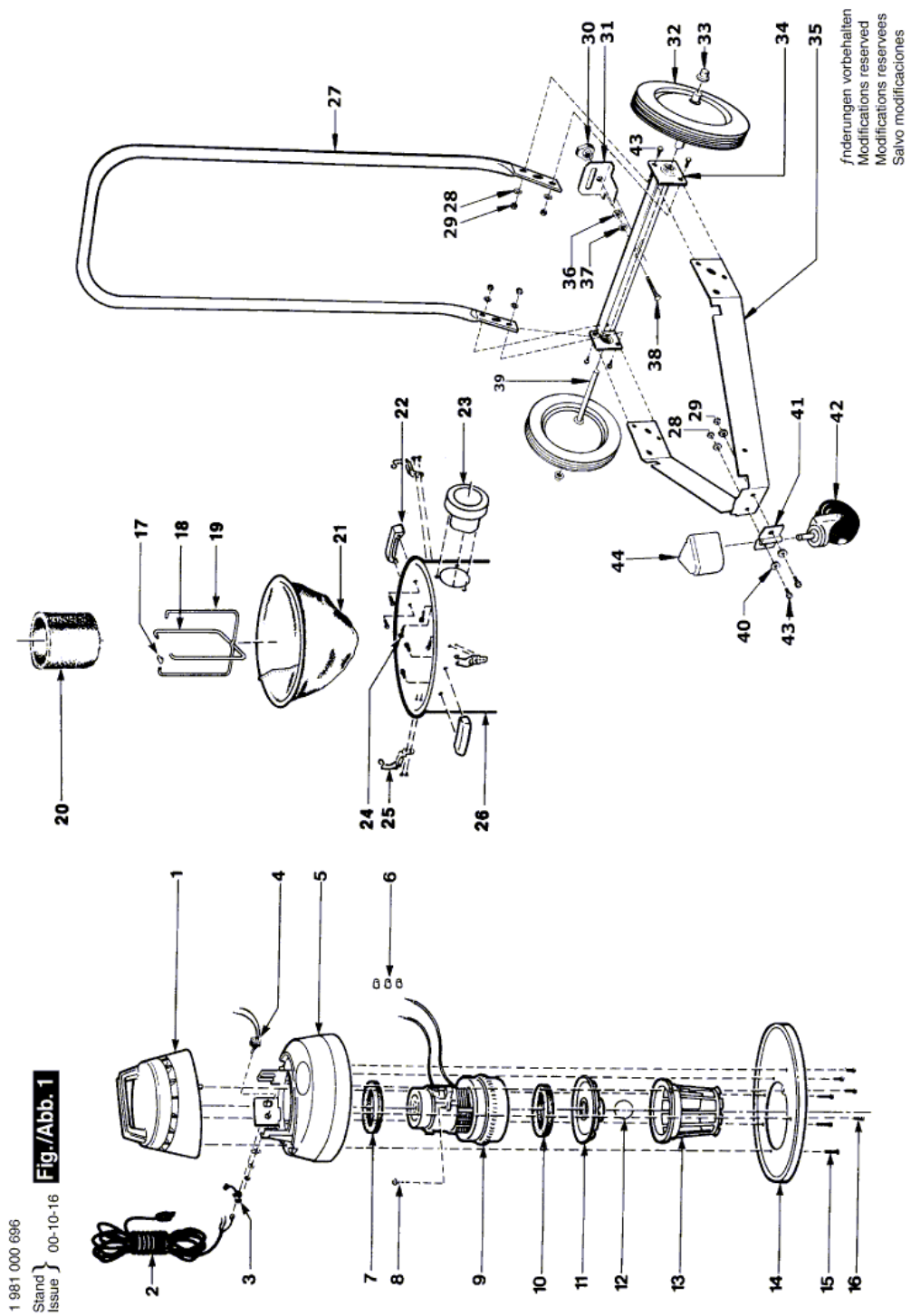


**BOSCH**

| Item | Part Number   | Description               | Illustration | Price | Quantity | Price Group |
|------|---------------|---------------------------|--------------|-------|----------|-------------|
| 1    | 1 981 000 697 | Cover                     | 1            | -,-   | 1        | -           |
| 2    | 1 981 000 698 | Power supply cord         | 1            | -,-   | 1        | -           |
| 3    | 1 981 000 656 | Grommet                   | 1            | -,-   | 1        | -           |
| 4    | 1 981 000 657 | Housing                   | 1            | -,-   | 1        | -           |
| 5    | 1 981 000 658 | Sealing Plate             | 1            | -,-   | 1        | -           |
| 6    | 2 610 016 167 | Connector                 | 1            | -,-   | 3        | -           |
| 7    | 1 981 000 659 | Cage                      | 1            | -,-   | 1        | -           |
| 8    | 2 610 306 005 | Cross Recessed-Head Screw | 1            | -,-   | 1        | 12          |
| 9    | 1 981 000 700 | Motor                     | 1            | -,-   | 1        | -           |
| 10   | 1 981 000 701 | Sealing Plate             | 1            | -,-   | 1        | -           |
| 11   | 1 981 000 662 | Plate                     | 1            | -,-   | 1        | -           |
| 12   | 1 981 000 663 | Ball                      | 1            | -,-   | 1        | -           |
| 13   | 1 981 000 664 | Stator                    | 1            | -,-   | 1        | -           |
| 14   | 1 981 000 665 | Clip                      | 1            | -,-   | 1        | -           |
| 15   | 2 610 319 718 | Screw                     | 1            | -,-   | 3        | -           |
| 16   | 2 610 319 717 | Screw                     | 1            | -,-   | 4        | -           |
| 17   | 1 981 000 666 | Clip                      | 1            | -,-   | 1        | -           |
| 18   | 1 981 000 667 | Cage                      | 1            | -,-   | 1        | -           |
| 19   | 1 981 000 668 | Cage                      | 1            | -,-   | 1        | -           |
| 20   | 2 610 995 006 | Filter                    | 1            | -,-   | 1        | -           |
| 21   | 1 981 000 642 | Filter                    | 1            | -,-   | 1        | -           |
| 22   | 1 981 000 670 | Handle                    | 1            | -,-   | 1        | -           |
| 23   | 1 981 000 671 | Adapting Piece            | 1            | -,-   | 1        | -           |
| 24   | 1 619 X00 504 | Screw                     | 1            | -,-   | 3        | 10          |
| 25   | 1 981 000 672 | Clamp                     | 1            | -,-   | 3        | -           |
| 26   | 1 981 000 673 | Drum                      | 1            | -,-   | 1        | -           |
| 27   | 1 981 000 643 | Handle                    | 1            | -,-   | 1        | -           |
| 28   | 2 610 004 155 | Locking Washer            | 1            | -,-   | 6        | -           |
| 29   | 2 610 011 489 | Nut                       | 1            | -,-   | 6        | 11          |
| 30   | 1 981 000 644 | Nut                       | 1            | -,-   | 1        | -           |
| 31   | 1 981 000 645 | Spring retaining ring     | 1            | -,-   | 1        | -           |
| 32   | 1 981 000 646 | Impeller                  | 1            | -,-   | 2        | -           |
| 33   | 1 981 000 648 | Frame                     | 1            | -,-   | 2        | -           |

| Item | Part Number   | Description    | Illustration | Price | Quantity | Price Group |
|------|---------------|----------------|--------------|-------|----------|-------------|
| 34   | 1 981 000 649 | Frame          | 1            | -,-   | 1        | -           |
| 35   | 1 981 000 650 | Axle           | 1            | -,-   | 1        | -           |
| 36   | 2 610 044 563 | Nut            | 1            | -,-   | 1        | 11          |
| 37   | 2 610 044 549 | Washer         | 1            | -,-   | 1        | -           |
| 38   | 2 610 350 039 | Trunnion       | 1            | -,-   | 1        | -           |
| 39   | 1 981 000 651 | Axle           | 1            | -,-   | 1        | -           |
| 40   | 2 610 318 822 | Washer         | 1            | -,-   | 2        | -           |
| 41   | 1 981 000 652 | Socket         | 1            | -,-   | 1        | -           |
| 42   | 1 981 000 653 | Cover          | 1            | -,-   | 1        | -           |
| 43   | 2 610 304 524 | Screw          | 1            | -,-   | 6        | -           |
| 44   | 1 981 000 647 | Damping rubber | 1            | -,-   | 1        | -           |

Illustration - Type E



Information subject to change without further notice.