

Angle Grinder - 0 601 701 239 - 1701

www.powertools-aftersaleservice.com



BOSCH

Item	Part Number	Description	Illustration	Price	Quantity	Price Group
2	1 604 220 308	Field 110-120V		1	-,-	1 34
3/50	1 606 610 132	Fan		1	-,-	1 12
4	1 607 200 141	Switch		1	-,-	1 23
5	2 604 460 188	Power supply cord USA/CDN 2,68m 2 x 0,82mm SJ 18/2		1	-,-	1 26
6	2 600 703 013	Grommet Ø7,6-Ø8,2x95 MM		1	-,-	1 13
7	1 601 302 017	Fastening Clamp		1	-,-	1 10
9	1 601 118 C77	Manufacturer's nameplate		1	-,-	1 15
13	2 600 905 032	Deep-Groove Ball Bearing 7x19x6		1	-,-	1 17
14	1 600 905 032	Deep-Groove Ball Bearing 8x22x7		1	-,-	1 18
24	1 605 500 228	Cover BLUE		1	-,-	1 14
25	1 605 500 226	Housing Cover BLUE		1	-,-	1 19
26	1 600 206 036	Rubber Ring		1	-,-	1 11
27	1 600 206 025	Rubber Ring		1	-,-	1 12
29	1 600 591 025	Air-Deflector Ring		1	-,-	1 13
30	1 600 591 014	Air-Deflector Ring		1	-,-	1 13
32	1 603 523 122	Grinding Spindle 5/8"		1	-,-	1 33
33	1 600 210 035	O-Ring 46,0x1,1 MM		1	-,-	1 11
35	1 600 136 013	Shim 0,1 MM THICK		1	-,-	1 13
35	1 600 136 020	Shim 0,15 MM THICK		1	-,-	1 13
35	1 600 136 014	Shim 0,2 MM THICK		1	-,-	1 13
35	1 600 136 015	Shim 0,3 MM THICK		1	-,-	1 13
37	1 600 290 016	Rotary shaft lip seal		1	-,-	1 12
40	1 600 119 011	Spring retaining ring		1	-,-	1 11
41	1 600 200 029	Plain bearing		1	-,-	1 14
45	1 603 300 016	Hex Nut M7, SW10		1	-,-	1 11
47	2 912 401 018	Tapping Screw DIN7981-ST3,9x13-C-Z		1	-,-	1 10
49	1 603 435 026	Thread-forming tap. Screw		1	-,-	4 11
50	2 912 401 420	Tapping Screw DIN7981-ST3,9x19-F-Z		1	-,-	2 10
53	1 604 448 013	Connecting Cable L=90 MM WHITE		1	-,-	1 13
54	1 604 438 026	Connecting Cable		1	-,-	1 14
55	1 603 415 005	Oval-Head Screw		1	-,-	4 10
80	3 600 150 021	Sealing disk		1	-,-	1 13
104	1 600 210 044	O-Ring 4,5x1,0 MM BLUE		1	-,-	1 10

Item	Part Number	Description	Illustration	Price	Quantity	Price Group
105	1 601 008 005	Insulating Plate	1	-,-	2	14
180	1 601 118 T27	Warning Plate	N/A	-,-	1	13
301/1	1 605 108 208	Motor Housing BLUE	1	-,-	1	23
301/16	1 601 323 025	Brush Holder	1	-,-	2	15
301/17	1 604 652 013	Spiral Spring	1	-,-	2	11
301/18	1 602 026 057	Switch Handle BLACK	1	-,-	1	11
301/19	1 604 611 026	Compression Spring	1	-,-	1	10
301/20	1 602 319 011	Adjusting Slide	1	-,-	1	11
301/48	2 912 401 005	Tapping Screw DIN7981-ST2,9x9,5C-Z	1	-,-	2	10
650/10	1 602 025 031	Auxiliary Handle M10, Ø37x115 MM ANTI-VIBRATION	2	-,-	1	28
650/20	3 603 340 501	Clamping-Flange 5/8"-FL+B	2	-,-	1	17
650/50	3 603 340 503	Round Nut 5/8"	2	-,-	1	28
651	1 605 510 362	Protective Cover Ø 125 MM	2	-,-	1	27
750/30	1 607 950 052	Pin-Type Face-Wrench	2	-,-	1	15
752	1 603 340 031	Fast Locking Flange M14	N/A	-,-	1	-
803	1 604 010 661	Armature With Fan 110-120V	1	-,-	1	43
808	1 601 118 F70	Nameplate	1	-,-	1	15
810	1 607 014 176	Carbon-Brush Set	1	-,-	1	25
818	2 910 110 048	Pan head screw DIN 85-AM3x6-CUZN	N/A	-,-	2	10
821	1 605 806 451	Gear Housing	1	-,-	1	35
821/010	1 607 000 253	Push-Button BLACK	1	-,-	1	12
828	1 607 000 347	Bearing Flange Ø 110-125 MM	1	-,-	1	27
838	1 600 A00 22W	Gear Unit	1	-,-	1	31

Illustration - Type E

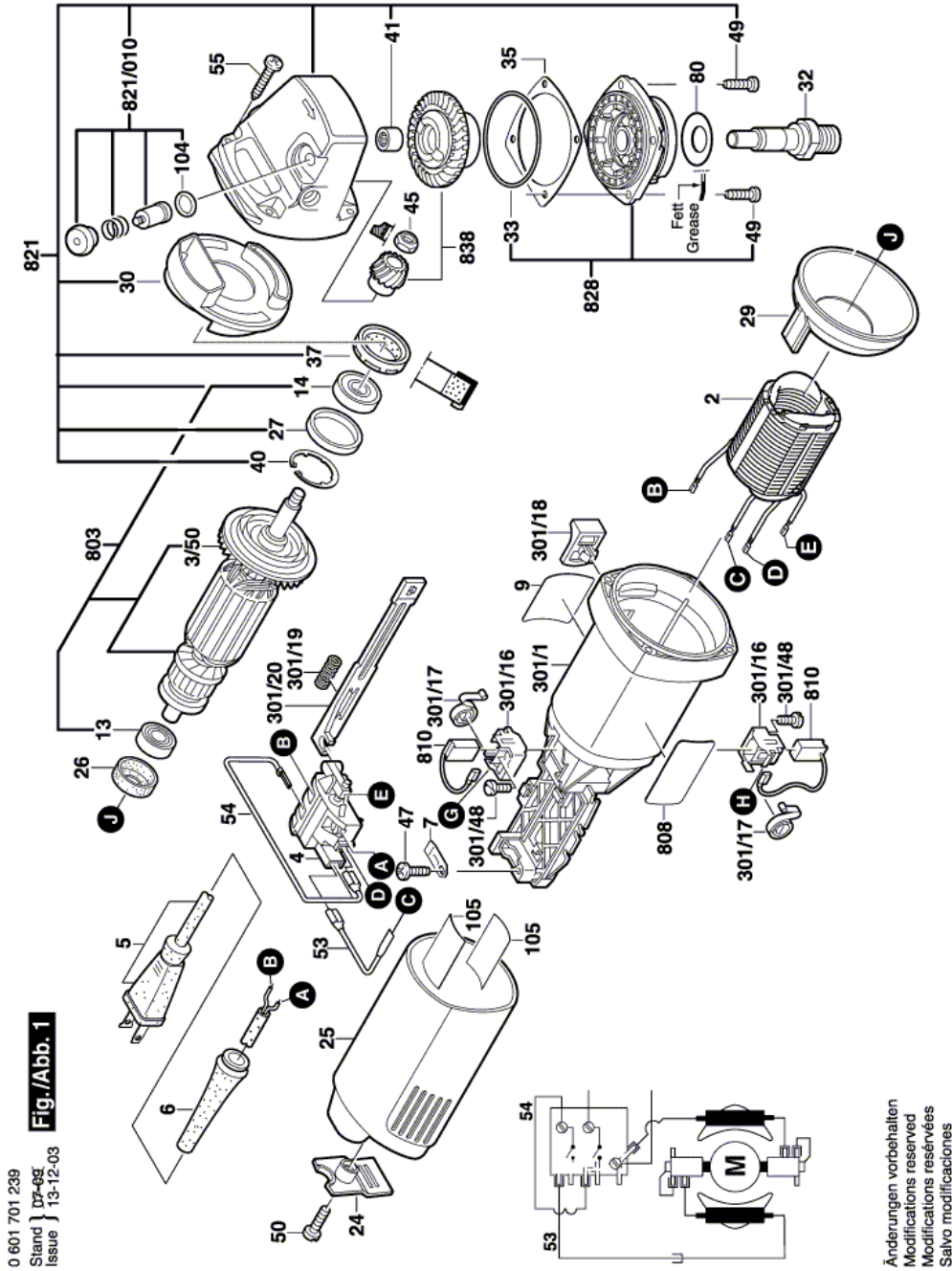
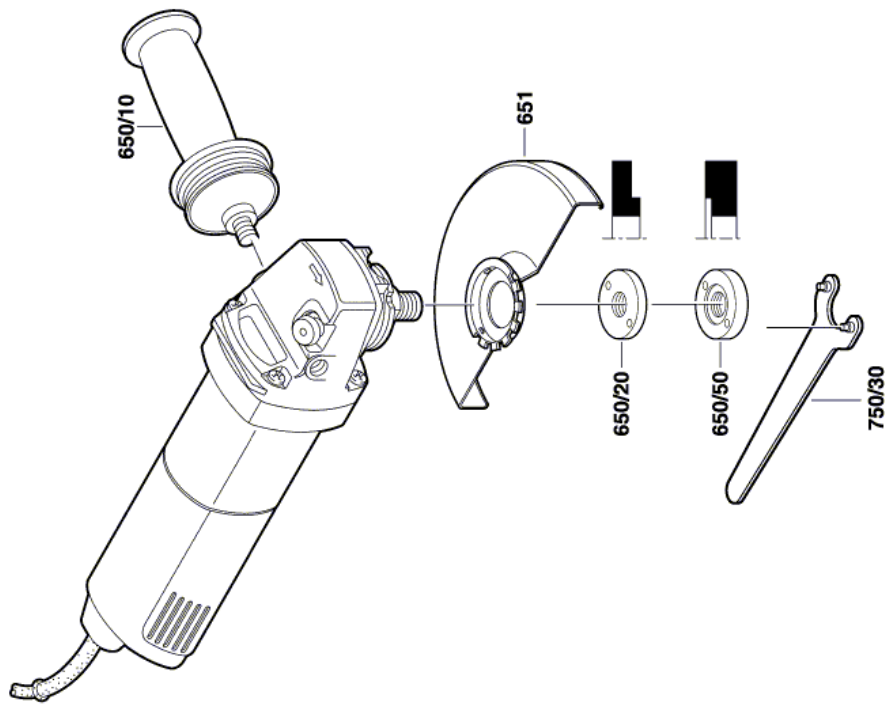


Illustration - Type E



0 601 701 239
Stand }
Issue } 04-01-20 **Fig./Abb. 2**

Änderungen vorbehalten
Modifications reserved
Modificaciones reservadas
Salvo modificaciones

Information subject to change without further notice.