



# SERVICE PARTS LIST

## 1/2" ELECTRIC DRILL

**Catalog No. 1700-1**

Starting Serial No. **131-2658**

Specify Catalog and Serial No. when ordering parts

**BUL. 54-12-1043**

REVISED BUL.

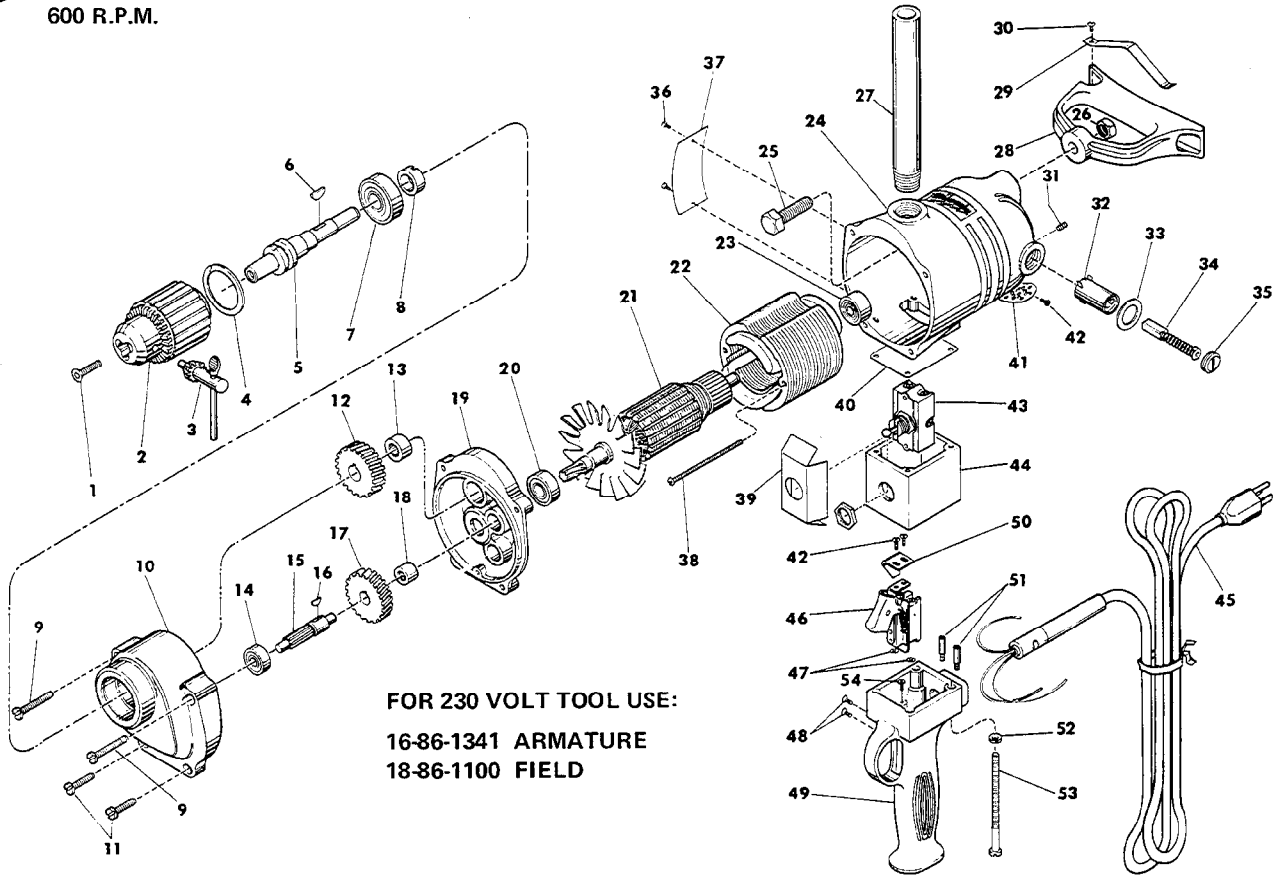
DATE

Jan. '74

WIRING INSTRUCTIONS

**58-01-0280**

600 R.P.M.



FOR 230 VOLT TOOL USE:

**16-86-1341 ARMATURE**  
**18-86-1100 FIELD**

FIG.	PART NO.	DESCRIPTION OF PART	NO. REQ.	FIG.	PART NO.	DESCRIPTION OF PART	NO. REQ.
	1	06-81-2900 1/4-20x1 Flat Hd. Screw	(1)	29	42-70-0110	Key Clip	(1)
	2	48-66-1480 1/2" Chuck #6JT	(1)	30	06-81-8650	6-32x1/4 Rd. Hd. Sem	(1)
	3	48-66-3120 Chuck Key	(1)	31	06-83-2670	1/4-20x1/2 Knrl. Set Screw	(2)
	4	34-80-3450 Retaining Ring	(1)	32	22-22-0100	Brush Holder Assembly	(2)
	5	38-50-2681 Reversing Spindle	(1)	33	23-86-0130	Insulating Washer	(2)
	6	06-42-2000 Woodruff Key	(1)	34	22-18-0115	Carbon Brush Assembly	(2)
	7	02-04-2050 Ball Bearing	(1)	35	23-44-0081	Brush Retaining Screw	(2)
	8	45-36-0200 Spacer For Tapered Spindle	(1)	★ 36	06-85-0200	Nameplate Screw	(2)
	9	06-81-7950 1/4-20x1-3/4 Fil. Hd. Sem	(2)	★ 37	12-99-0040	Nameplate Blank	(1)
	10	28-14-0201 Gear Case	(1)	38	06-81-8950	8-32x2-1/4 Fil. Hd. Sem	(2)
	11	06-81-7850 1/4-20x1 Fil. Hd. Sem	(2)	39	23-16-0470	Reversing Switch Insulator	(1)
	12	32-75-1581 Spindle Gear	(1)	40	23-16-0200	Insulator	(1)
	13	02-50-4040 Needle Bearing	(1)	41	44-66-0180	Cover Plate	(1)
	14	02-04-0910 Ball Bearing	(1)	42	06-81-8650	6-32x1/4 Rd. Hd. Sem	(4)
	15	36-66-1951 Intermediate Pinion Shaft	(1)	43	23-66-0340	Reversing Switch	(1)
	16	06-42-1600 Woodruff Key	(1)	44	28-50-7121	Reversing Switch Housing	(1)
	17	32-40-1001 Intermediate Gear	(1)	45	22-64-0080	Cord Set	(1)
	18	02-50-2450 Needle Bearing	(1)	★ 46	23-66-0191	Switch	(1)
	19	28-28-0101 Diaphragm (Incl. 06-65-1205 Pin)	(1)	47	06-97-1800	Lock Washers (For Switches)	(10)
	20	02-04-1265 Ball Bearing	(1)	48	06-81-3400	6-32x1/4 Oval Hd. Screw	(2)
	21	16-82-1421 115 Volt Rev. Armature	(1)	49	28-44-9241	Switch Handle	(1)
★	22	18-82-1110 115 Volt Field	(1)	50	42-36-0230	Switch Bracket	(1)
	23	02-04-1070 Ball Bearing	(1)	51	45-04-0100	Cord Retaining Screw	(2)
	24	28-50-4761 Motor Housing (Incl. Fig. Nos. 25 & 26)	(1)	52	06-97-3800	Lock Washer	(4)
	25	06-75-0850 1/2-13x1-1/2 Hex. Hd. Screw	(1)	53	06-81-2150	1/4-20x3-3/4 Fil. Hd. Screw	(4)
	26	06-55-2850 1/2-13 Hex Nut	(1)	54	06-81-8625	6-32x1/4 Ground Screw	(1)
	27	43-62-0230 Pipe Handle	(1)	★ 55	12-98-7081	Caution Plate (Not Shown)	(1)
	28	14-34-0100 Handle Assy. (Incl. Fig. Nos. 29 & 30)	(1)				