



SERVICE PARTS LIST

BUL. 54-12-1042

1/2" ELECTRIC DRILL

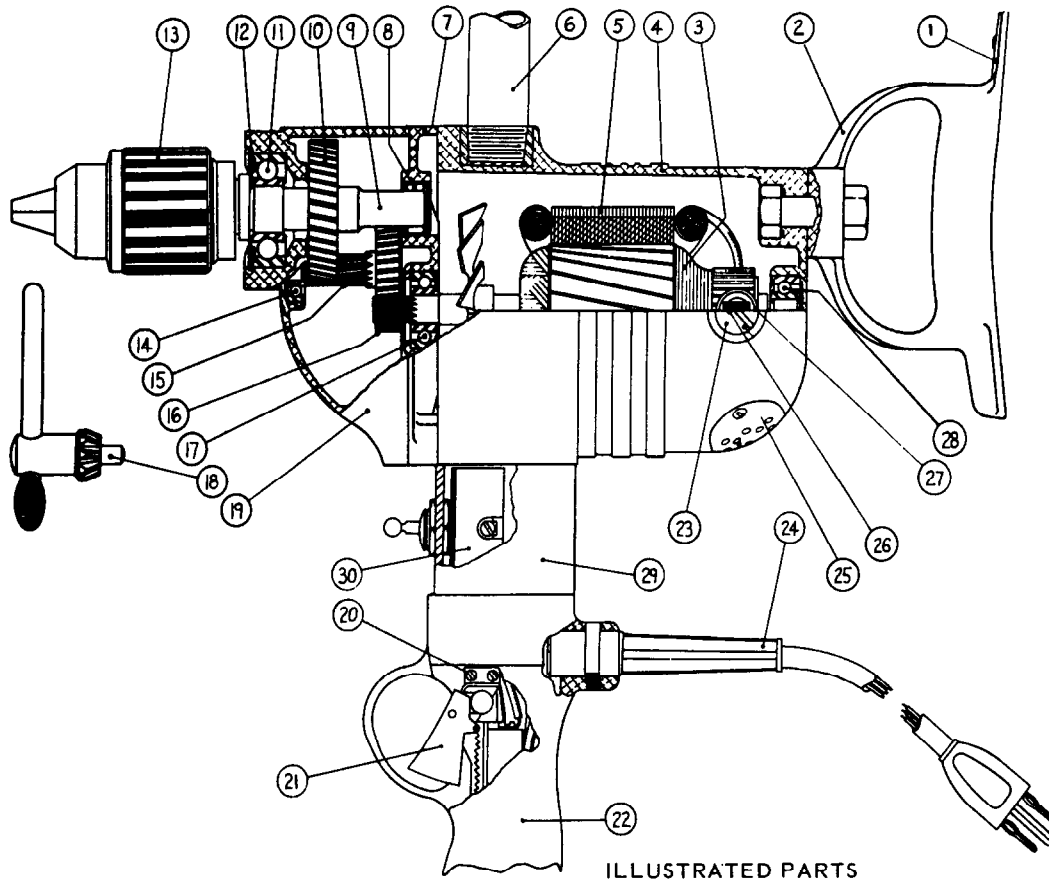
REVISED BUL 6131-3 DATE Feb '69

Catalog No. 1700-1

Starting Serial No. 131-1136

WIRING INSTR. 58-01-0280

Both Model and Serial No. must be furnished to obtain correct parts.



ILLUSTRATED PARTS

FIG.	PART NO.	DESCRIPTION OF PART	FIG.	PART NO.	DESCRIPTION OF PART
1	42-70-0110	Spade Handle Key Clip	16	32-40-1001	Intermediate Gear
2	28-44-7121	Spade Handle	★ 17	02-04-1265	Ball Bearing
3	16-82-1421	Armature Assembly	18	48-66-3120	Chuck Key
4	28-50-4761	Motor Housing (inc. screw and jam nut)	19	28-14-0201	Gear Case
★ 5	18-82-1111	Field Assembly	20	42-36-0230	Switch Bracket
6	43-62-0230	Pipe Handle	21	23-66-0190	Switch
7	28-28-0101	Diaphragm	22	28-44-9241	Switch Handle
8	02-50-4040	Needle Bearing	23	23-44-0081	Brush Retaining Screw Assembly (2)
★ 9	38-50-2681	Spindle	24	22-64-0080	Cord Set
10	32-75-1581	Spindle Gear	25	44-66-0180	Air Intake Cover Plate
11	02-04-2050	Ball Bearing	★ 26	22-18-0115	Carbon Brush Assembly (2)
12	34-80-3450	Spindle Ball Bearing Retaining Ring	27	22-22-0100	Brush Holder Assembly (2)
★ 13	48-66-1480	Chuck with no. 6 taper	28	02-04-1070	Ball Bearing
★ 14	02-04-0910	Ball Bearing	29	28-50-7121	Reverse Switch Housing
15	36-66-1951	Intermediate Shaft	30	23-66-0340	Reverse Switch

MISCELLANEOUS PARTS NOT SHOWN

PART NO.	DESCRIPTION OF PART	PART NO.	DESCRIPTION OF PART
02-50-2450	Needle Bearing	06-81-8650	6-32x1/4 Rd.Hd. Spade Handle Key Clip Sems (2)
12-98-0900	Name Plate	06-81-7950	1/4-20x1 1/4 Fil.Hd. Gear Case Sems (2)
06-75-0850	1/2-13x1 1/2 Hex.Hd. Spade Handle Bolt	06-81-8950	8-32x2 1/4 Fil.Hd. Field Sems (2)
06-55-2850	1/2-13 Spade Handle Jam Nut	06-81-2150	1/4-20x3 3/4 Fil.Hd. Switch Handle Screws (4)
06-81-8650	6-32x1/4 Rd.Hd. Sems Switch Mounting (2)	06-83-2670	1/4-20x1/2 Hd'less Brush Holder Set Screws (2)
06-81-3400	6-32x1/4 Oval Hd. Switch Bracket Screws (2)	06-42-1600	Woodruff Keys
★ 06-81-8400	4-40x1/4 Rd.Hd. Sem Name Plate Screws (2)	06-42-2000	Woodruff Keys
★ 06-81-8650	6-32x1/4 Rd.Hd. Sem Air Intake Plate Screws (2)	45-04-0100	Cord Retaining Screw (2)
06-81-7850	1/4-20x1 Fil.Hd. Gear Case Sems (2)	06-81-8625	6-32x1/4 Rd.Hd. Brass Ground Wire Sems
06-81-2900	1/4-20x1 Flat Hd. Internal Socket Screw	23-86-0130	Brush Holder Washer (2)
23-16-0200	Insulator	43-36-0200	Spindle Gear Spacer
★ 45-03-0010	Plug Adaptor	★ 06-97-3800	Lock Washers (4)
★ 06-97-1800	Lock Washers (10)		