



SERVICE PARTS LIST

BUL. 54-12-1041

1/2" ELECTRIC DRILL

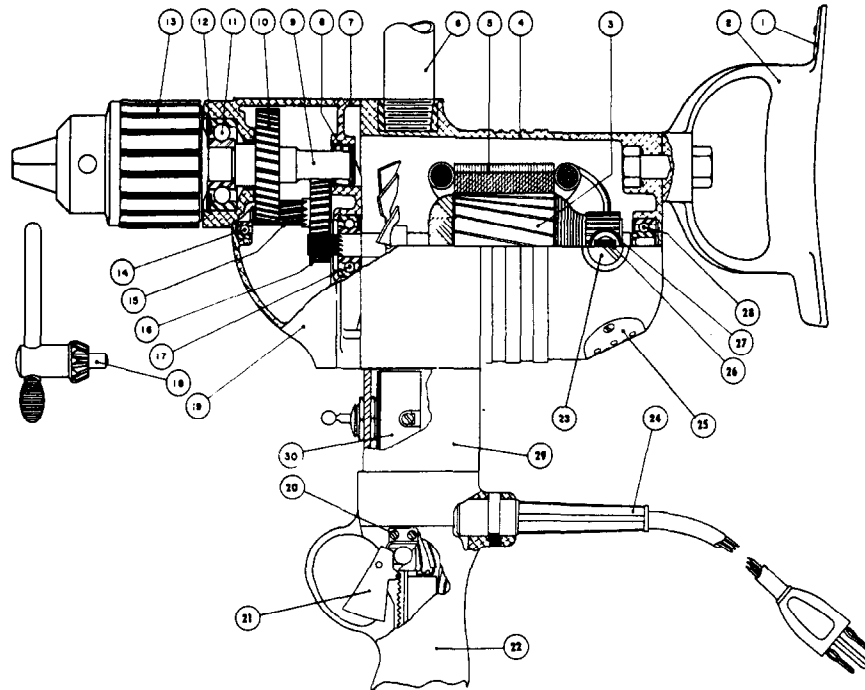
REVISED BUL 6131-2 DATE FEB. '68

Catalog No. 1700-1

Starting Serial No. **131-1011**

WIRING INSTR.

Both Model and Serial No. must be furnished to obtain correct parts.



CORRECTS AND SUPERCEDES SERVICE BULLETIN 6131-2 DATED 10/8/58

FIG.	PART NO.	DESCRIPTION OF PART
1	42-70-0110	Spade Handle Key Clip
2	28-44-7121	Spade Handle
3	16-82-1421	Armature Assembly
4	28-50-4761	Motor Housing
5	18-82-1110	Field Assembly
6	43-62-0230	Pipe Handle
7	28-28-0101	Diaphragm
8	02-50-4040	Needle Bearing
9	38-50-0801	Spindle
10	32-75-1581	Spindle Gear
11	02-04-2050	Ball Bearing
12	34-80-3450	Spindle Ball Bearing Ret. Ring
13	48-66-1400	Chuck with No. 6 Taper
14	02-04-0920	Ball Bearing
15	36-66-1951	Intermediate Shaft

ILLUSTRATED PARTS

FIG.	PART NO.	DESCRIPTION OF PART
16	32-40-1001	Intermediate Gear
17	02-04-1260	Ball Bearing
18	48-66-3120	Chuck Key
19	28-14-0201	Gear Case
20	42-36-0230	Switch Bracket
21	23-66-0190	Switch
22	28-44-9241	Switch Handle
23	23-44-0081	Brush Retaining Screw Assembly
24	22-64-0080	Cord Set
25	44-66-0180	Air Intake Cover Plate
26	22-18-0110	Carbon Brush Assembly
27	22-22-0100	Brush Holder Assembly
28	02-04-1070	Ball Bearing
29	28-50-7121	Reverse Switch Housing
30	23-66-0340	Reverse Switch

MISCELLANEOUS PARTS NOT SHOWN

PART NO.	DESCRIPTION OF PART	PART NO.	DESCRIPTION OF PART
02-50-2450	Needle Bearing	06-81-8650	6-32x1/4 Rd.Hd. Sems Spade Handle Key Clip Scs.
12-98-0900	Name Plate	06-81-7950	1/4-20x1-3/4 Fil.Hd.Sems Gear Case Screws (2)
06-75-0850	1/2-13x1-1/2 Hex.Hd. Spade Handle Bolt	06-81-6750	8-32x2-1/2 Fil.Hd. Sems Field Screws (2)
06-55-2850	1/2-13 Spade Handle Jam Nut	06-81-2150	1/4-20x3-3/4 Fil. Hd. Switch Handle Screws (4)
06-81-8650	6-32x1/4 Rd.Hd. Sems Switch Mtg. Scs. (2)	06-83-2670	1/4-20x1/2 Hd'less Brush Holder Set Scs. (2)
06-81-5800	6-32x5/16 Switch Bracket Scs. Sems (2)	06-42-1600	Woodruff Keys (2)
06-77-0450	4x1/4 Driv-In Name Plate Screws (2)	06-42-2000	Woodruff Keys (2)
06-85-0200	6x1/4 P.K. Air Intake Plate Screws (2)	45-04-0100	Cord Retaining Screw (2)
06-81-7850	1/4-20x1 Fil. Hd. Sem Gear Case Screws (2)	23-16-0200	Fiber Insulation (2)
06-81-2900	1/4-20x1 Flat Hd. Internal Socket Screw (1)	06-81-8625	6-32x1/4 Rd.Hd. Brass Ground Wire Sc. Sems

Numbers in brackets indicate number required.