



SERVICE PARTS LIST

BUL. 54-12-1023

1/2" ELECTRIC DRILL

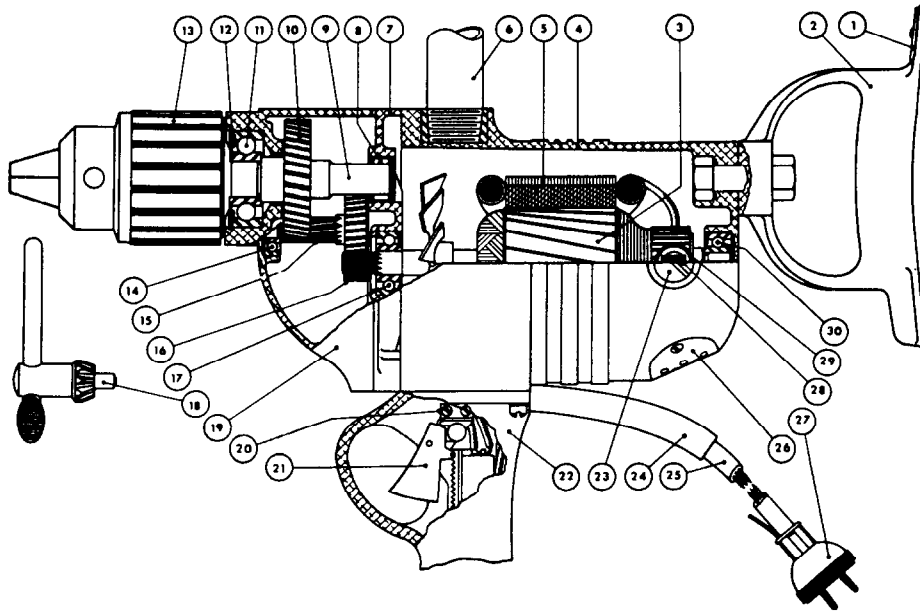
REVISED BUL. 662-4 DATE FEB. '68

Catalog No. 1700

Starting Serial No. 62-9610

WIRING INSTR.

Both Model and Serial No. must be furnished to obtain correct parts.



230V Motor
16-86-1340 Armature
18-86-1100 Field

CORRECTS AND SUPERCEDES
SERVICE BULLETIN 662-4
DATED 3/31/60

ILLUSTRATED PARTS

FIG.	PART NO.	DESCRIPTION OF PART
1	See item 2	Spade Handle Key Clip
2	14-34-0100	Spade Handle (Incl. item 1)
3	16-82-1420	Armature Assembly
4	28-50-4761	Motor Housing
5	18-82-1110	Field Assembly
6	43-62-0230	Pipe Handle
7	28-28-0101	Diaphragm
8	02-50-4040	Needle Bearing
9	38-50-2151	Spindle
10	32-75-1581	Spindle Gear
11	02-04-1780	Ball Bearing
12	34-80-3450	Spindle Ball Bearing Retaining Ring
13	48-66-1440	Chuck (5/8"-16 Thread)
14	02-04-0910	Ball Bearing

FIG.	PART NO.	DESCRIPTION OF PART
15	36-66-1951	Intermediate Shaft
16	32-40-1001	Intermediate Gear
17	02-04-1260	Ball Bearing
18	48-66-3120	Chuck Key
19	28-14-0201	Gear Case
20	42-36-0230	Switch Bracket
21	23-66-0190	Switch
22	28-44-9241	Switch Handle
23	23-44-0081	Brush Retaining Screw Assembly (2)
24	22-64-0080	Cord Set
26	44-66-0180	Air Intake Cover Plate
28	22-18-0115	Carbon Brush Assemblies (2)
29	22-22-0100	Brush Holder Assembly
30	02-04-1070	Ball Bearing

MISCELLANEOUS PARTS NOT SHOWN

PART NO.	DESCRIPTION OF PART
02-50-2450	Needle Bearing
12-98-0900	Name Plate
06-75-0850	1/2-13x1-1/2" Hex. Hd. Spade Handle Bolt (1)
06-55-2850	1/2"-13 Spade Handle Jam Nut (1)
06-81-8650	6-32x1/4" Rd. Hd. Switch Mtg. Sems (2)
06-81-3400	6-32x1/4" Oval Hd. Switch Bracket Scs. (2)
06-77-0450	4x1/4" Driv-In Name Plate Screws (2)
06-85-0200	6x1/4" P.K. Air Intake Plate Screws (2)
06-81-7850	1/4"-20x1" Fil. Hd. Gear Case Sems (2)
23-86-0130	Brush Holder Washer (2)

PART NO.	DESCRIPTION OF PART
06-81-8650	6-32x1/4 Rd. Hd. Spade Handle Key Clip Sems (2)
06-81-7950	1/4"-20x1-3/4" Fil. Hd. Gear Case Sems (2)
06-81-8950	8-32x2-1/4" Fil Hd. Field Sems (2)
06-81-7900	1/4"-20x1-1/2" Fil. Hd. Sems Switch Handle Scs. (4)
06-83-2670	1/4"-20x1/2" Hd'less Brush Holder Set Screws (2)
06-42-1600	Woodruff Keys (1)
06-42-2000	Woodruff Keys (2)
45-04-0100	Cord Retaining Screw (2)
06-81-8625	6-32x1/4" Rd. Hd. Brass Ground Wire Screw Sems (2)

(2) Numbers in brackets indicate number required.