



SERVICE PARTS LIST

BUL. 54-12-1022

1/2" ELECTRIC DRILL

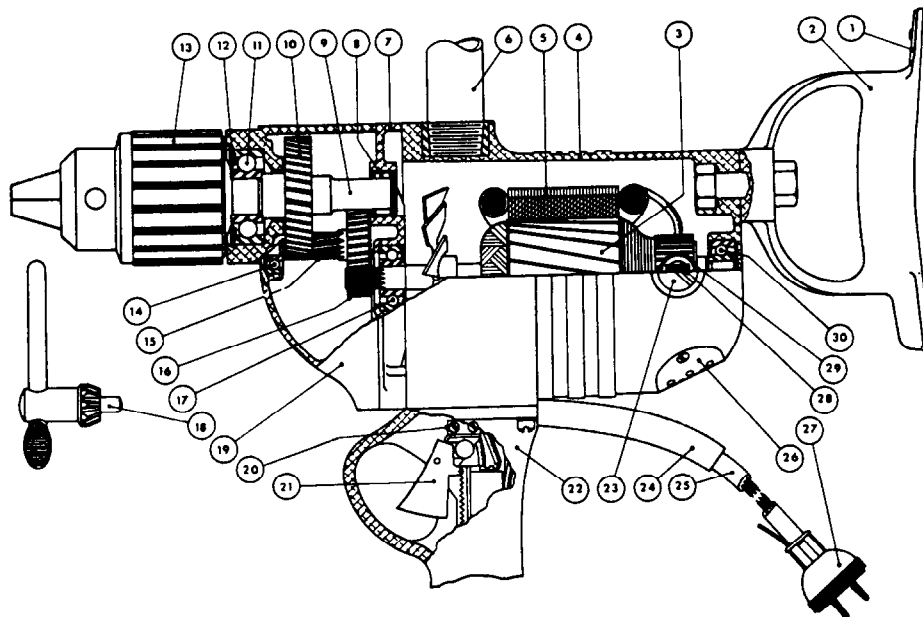
| | |
|----------------------|------------------|
| REVISED BUL 662-3 | DATE FEB. '68 |
|----------------------|------------------|

MODEL NO. C-122

Starting Serial No. 62-8758

WIRING INSTR.

Both Model and Serial No. must be furnished to obtain correct parts.



ILLUSTRATED PARTS

| FIG. PART NO. | DESCRIPTION OF PART | FIG. PART NO. | DESCRIPTION OF PART |
|---------------|-------------------------------------|---------------|--|
| 1 | 88D1-6 Spade Handle Key Clip | 15 | 5CK-13A Intermediate Shaft |
| 2 | 88D1-3A Spade Handle | 16 | 2C-14 Intermediate Gear |
| 3 | 12C-600 Armature Assembly | 17 | WC8501 Ball Bearing |
| 4 | 23D-1 Motor Housing | 18 | 1/2" Chuck Key |
| 5 | 56V-700 Field Assembly | 19 | 2D-3 Gear Case |
| 6 | 88D-43 Pipe Handle | 20 | 88D-23A Switch Bracket |
| 7 | 2D-2 Diaphragm | 21 | CH8636K1 Switch |
| 8 | MH-1081 Needle Bearing | 22 | 88D1-1B Switch Handle |
| 9 | 5CK-8A Spindle | 23 | 88D-400 Brush Retaining Screw Assembly |
| 10 | 7CK-11A Spindle Gear | 24 | 16G-10SR2 Cord Set |
| 11 | ND8603 Ball Bearing | 26 | 23D-41 Air Intake Cover Plate |
| 12 | RR-185 Spindle Ball Brg. Retg. Ring | 28 | 88D-370 Carbon Brush Assemblies (2) |
| 13 | 1/2" Chuck (5/8"-16 Thread) | 29 | 88D-320 Brush Holder Assembly |
| 14 | ND7039 Ball Bearing | 30 | WC8500 Ball Bearing |

MISCELLANEOUS PARTS NOT SHOWN

| SIZE OR PART NO. | DESCRIPTION OF PART | SIZE OR PART NO. | DESCRIPTION OF PART |
|------------------------|------------------------------|------------------------|-----------------------------|
| MH681 | Needle Bearing | 1/4"-20x1 1/4" Fil.Hd. | Gear Case Screws (2) |
| C-122 | Name Plate | 8-32x2 1/2" Rd. Hd. | Field Screws (2) |
| 1/2-13x1 1/2" Hex. Hd. | Spade Handle Bolt (1) | 1/4"-20x1 1/2" Fil.Hd. | Switch Handle Screws (4) |
| 1/2"-13 | Spade Handle Jam Nut (1) | 1/4"-20x1/2" Hdless. | Brush Holder Set Screws (2) |
| #4x5/16" Driv-In | Spade Handle Key Clip Sc.(1) | #8 | Kantlink Lock Washers (2) |
| 6-32x1/4" Rd. Hd. | Switch Mounting Screws (2) | #14 | Kantlink Lock Washers (10) |
| 6-32x1/4" Fil. Hd. | Switch Bracket Screws (2) | #2 | Woodruff Keys (1) |
| #4x5/16" Driv-In | Name Plate Screws (2) | #3 | Woodruff Keys (2) |
| #6x1/4" P.K. | Air Intake Plate Screws (2) | 14DS1-1 | Cord Retaining Screw (2) |
| 1/4"-20x1" Fil. Hd. | Gear Case Screws (2) | | |