



SERVICE PARTS LIST

BUL. 54-12-1021

1/2" ELECTRIC DRILL

REVISED BUL. 662-2 DATE FEB. '68

MODEL NO. C-122

C-122

Starting Serial No. **62-2155**

WIRING INSTR.

Both Model and Serial No. must be furnished to obtain correct parts.

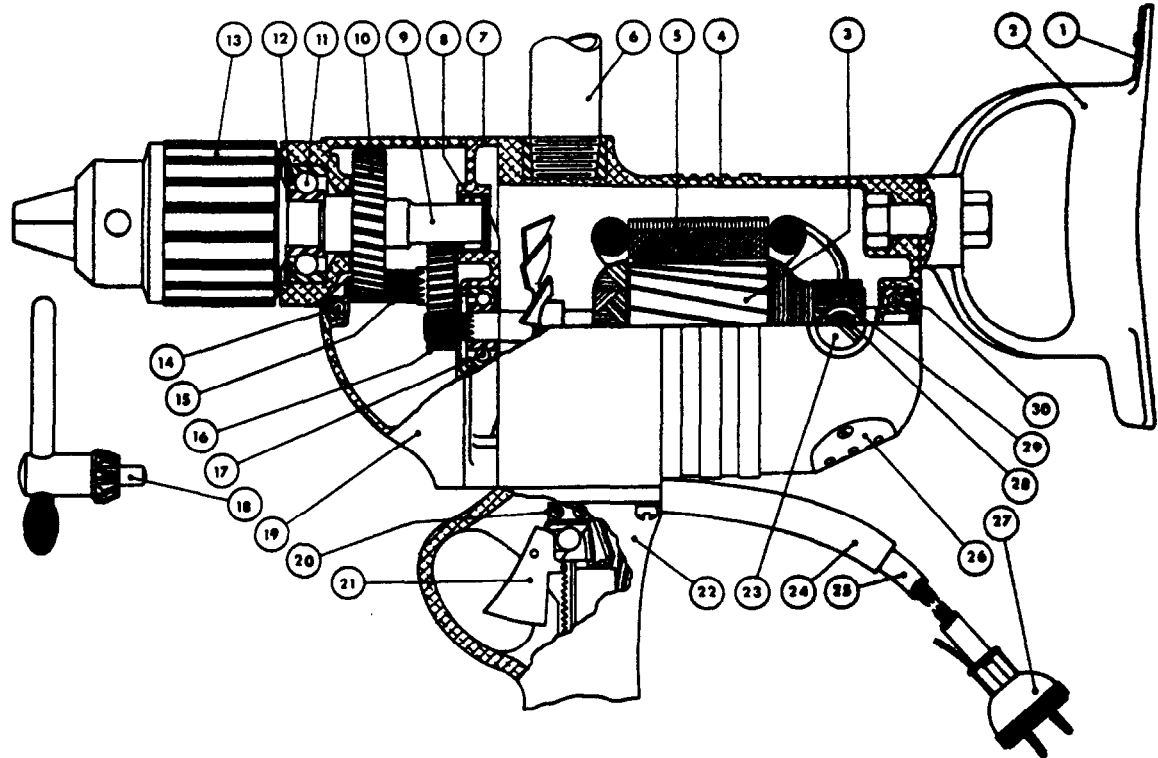


Fig.	Part No.	Name of Part	Fig.	Part No.	Name of Part
1	88D1-6	Spade Handle Key Clip	16	2C-14	Intermediate Gear
2	88D1-3A	Spade Handle	17	WC8501	Armature Ball Brg.(Pinion End)
3	12C-600	Armature Assembly	18	1/2"	Chuck Key
4	23D-1	Body or Motor Housing	19	2D-3	Gear Case
5	56V-700	Field Assembly	20	88D-23	Switch Bracket
6	88D-43	Pipe Handle	21	CH8636K1	Switch
7	2D-2	Diaphragm	22	88D1-1A	Switch Handle
8	MH-1081	Spindle Needle Bearing	23	88D-400	Brush Retaining Screw Assy
9	5CK-8A	Spindle	24	88D-48	Cord Protector Tube
10	7CK-11A	Spindle Gear	25	S#16-3	Cord (3-Wire) per foot
11	ND8603	Spindle Ball Bearing	26	23D-41	Air Intake Cover Plate
12	RR-185	Spindle Ball Brg. Ret. Ring	27	2 Prong	Attachment Plug
13	1/2"	Chuck (5/8"-16 Thread)	28	88D-370	Carbon Brush Assy's per set 2
14	ND7039	Inter. Shaft Ball Bearing	29	88D-320	Brush Holder Assembly
15	5CK-13A	Intermediate Shaft	30	WC8500	Armature Ball Bearing(Comm. End)

MISCELLANEOUS PARTS (NOT SHOWN)

Size or Part No.	Description of Part	Size or Part No.	Description of Part	
MH681	Inter. Shaft Needle Bearing	1/4"-20x1" Fil. Hd.	Gear Case Screws	(2)
C-122	Name Plate	1/4"-20x1-3/4" Fil. Hd.	Gear Case Screws	(2)
1/2-13x1 1/4" Hex. Hd.	Spade Handle Bolt	8-32x2 1/4" Rd. Hd.	Field Screws	(2)
1/2"-13	Spade Handle Jam Nut	1/4"-20x3/4" Fil. Hd.	Switch Handle Screws	(4)
#4x5/16" Driv-In	Spade Handle Key Clip Screw	1/4"-20x1 1/2" Hdless.	Brush Holder Set Screws	(2)
6-32x1/4" Rd. Hd.	Switch Mounting Screws	#8	Kantlink Lock Washers	(2)
6-32x1/4" Fil. Hd.	Switch Bracket Screws	#14	Kantlink Lock Washers	(2)
#4x5/16" Driv-In	Name Plate Screws	#2	Woodruff Keys	(1)
#6x1/4" P. K.	Air Intake Plate Screws	#3	Woodruff Keys	(2)

Prices are subject to change without notice.