



SERVICE PARTS LIST

1/2" ELECTRIC DRILL

Catalog No. 1700

Starting
Serial No. **62-14082**

Specify Catalog and Serial No. when ordering parts

BUL. 54-12-1025

REVISED BUL. DATE
Jan. '74

WIRING INSTRUCTIONS
58-01-0360

600 R.P.M.

FOR 230 VOLT TOOL USE:
16-86-1340 ARMATURE
18-86-1100 FIELD

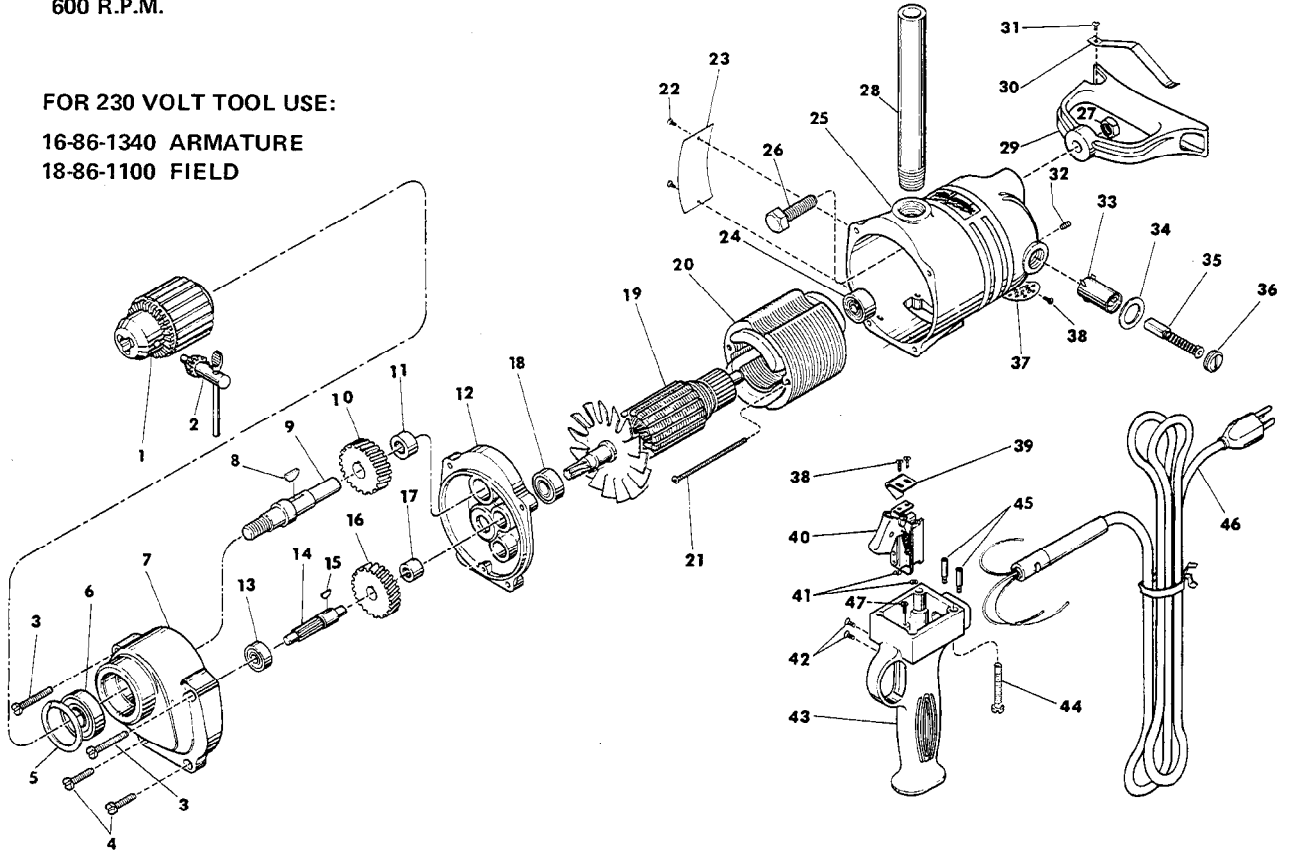


FIG.	PART NO.	DESCRIPTION OF PART	NO. REQ.	FIG.	PART NO.	DESCRIPTION OF PART	NO. REQ.
1	48-66-1440	1/2" Chuck 5/8-16 Thread	(1)	25	28-50-4761	Motor Housing (Incl. Fig. Nos. 26 & 27)	(1)
2	48-66-3120	Chuck Key	(1)	26	06-75-0850	1/2-13x1-1/2 Hex. Hd. Screw	(1)
3	06-81-7950	1/4-20x1-3/4 Fil. Hd. Sem	(2)	27	06-55-2850	1/2-13 Hex Nut	(1)
4	06-81-7850	1/4-20x1 Fil. Hd. Sem	(2)	28	43-62-0230	Pipe Handle	(1)
5	34-80-3450	Retaining Ring	(1)	29	14-34-0100	Handle Assy. (Incl. Fig. Nos. 30 & 31)	(1)
6	02-04-1780	Ball Bearing	(2)	30	42-70-0110	Key Clip	(1)
7	28-14-0201	Gear Case	(1)	31	06-81-8650	6-32x1/4 Rd. Hd. Sem	(1)
8	06-42-2000	Woodruff Key	(1)	32	06-83-2670	1/4-20x1/2 Knrl. Set Screw	(2)
9	38-50-2151	Spindle	(1)	33	22-22-0100	Brush Holder Assembly	(2)
10	32-76-1581	Spindle Gear	(1)	34	23-86-0130	Insulating Washer	(2)
11	02-50-4040	Needle Bearing	(1)	35	22-18-0115	Carbon Brush Assy.	(2)
12	28-28-0101	Diaphragm (Incl. 06-65-1205 Pin)	(1)	36	23-44-0081	Brush Retaining Screw	(2)
13	02-04-0910	Ball Bearing	(1)	37	44-66-0180	Cover Plate	(1)
14	36-66-1951	Intermediate Shaft	(1)	38	06-81-8650	6-32x1/4 Rd. Hd. Sem	(4)
15	06-42-1600	Woodruff Key	(1)	39	42-36-0230	Switch Bracket	(1)
16	32-40-1001	Intermediate Gear	(1)	★40	23-66-0191	Switch	(1)
17	02-50-2450	Needle Bearing	(1)	41	06-97-1800	Lock Washer	(4)
18	02-04-1265	Ball Bearing	(1)	42	06-81-3400	6-32x1/4 Oval Hd. Screw	(2)
19	16-82-1420	115 Volt Armature	(1)	43	28-44-9241	Switch Handle	(1)
★20	18-82-1110	115 Volt Field	(1)	44	06-81-7900	1/4-20x1-1/2 Fil. Hd. Sem	(4)
21	06-81-8950	8-32x2-1/4 Rd. Hd. Sem	(2)	45	45-04-0100	Cord Retaining Screw	(2)
★22	06-85-0200	Nameplate Screw	(2)	46	22-64-0080	Cord Set	(1)
★23	12-99-0040	Nameplate Blank	(1)	47	06-81-8625	6-32x1/4 Ground Screw	(1)
24	02-04-1070	Ball Bearing	(1)	★48	12-98-7081	Caution Plate (Not Shown)	(1)