



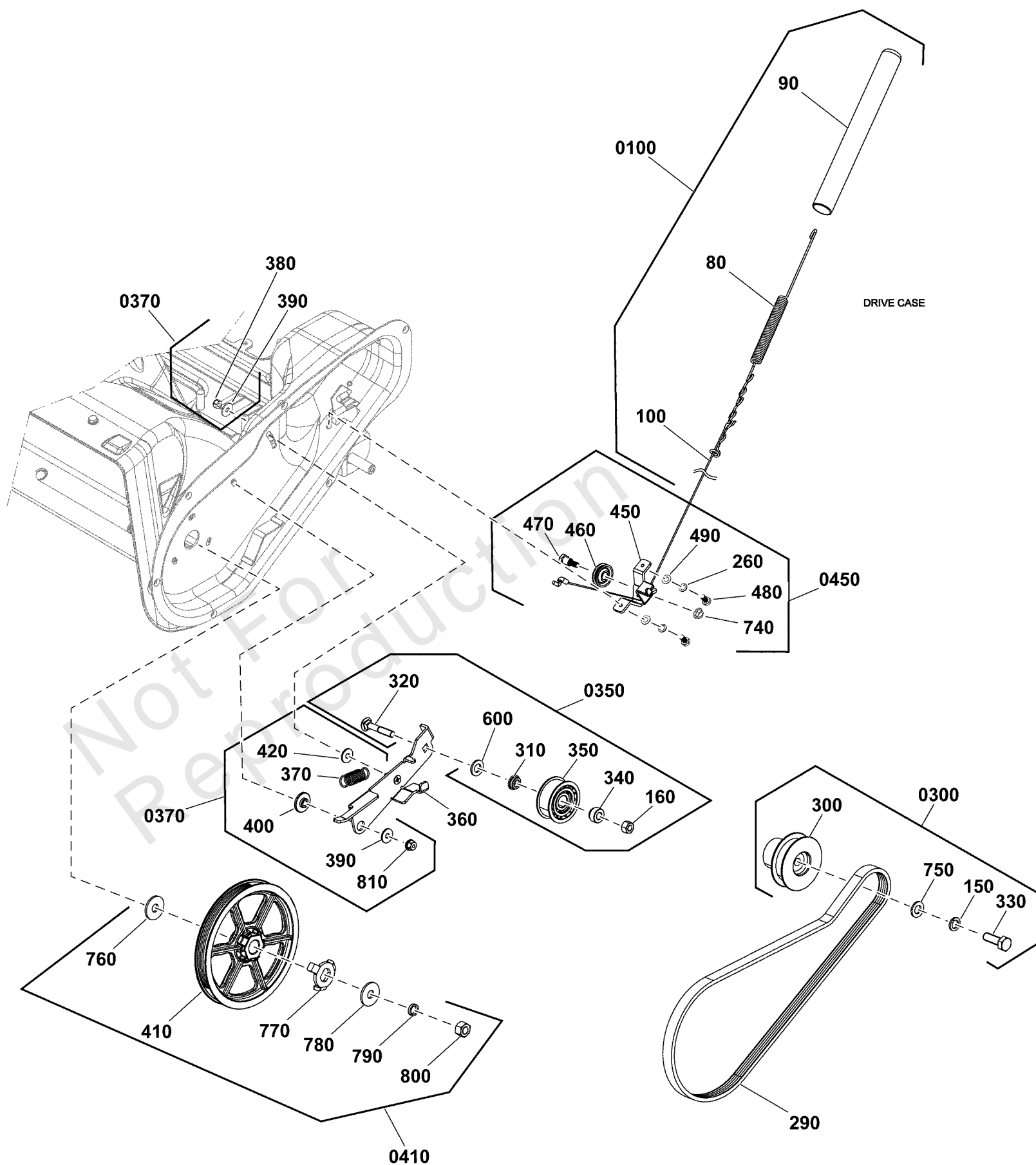
Parts Manual

Mfg. No: 1697292-00
1022EX SS NA 22" 9.5 Gross (2020)

Auger Drive Group

Note: Unless noted otherwise, use the standard torque specifications

Mfg. No: 1697292-00



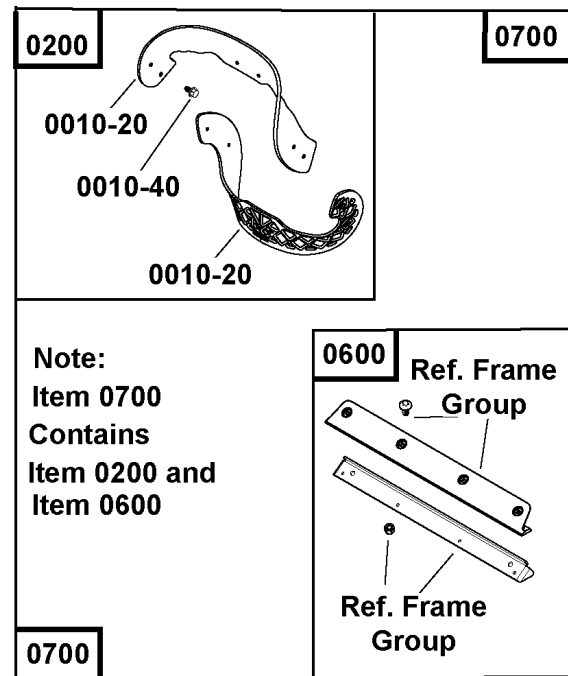
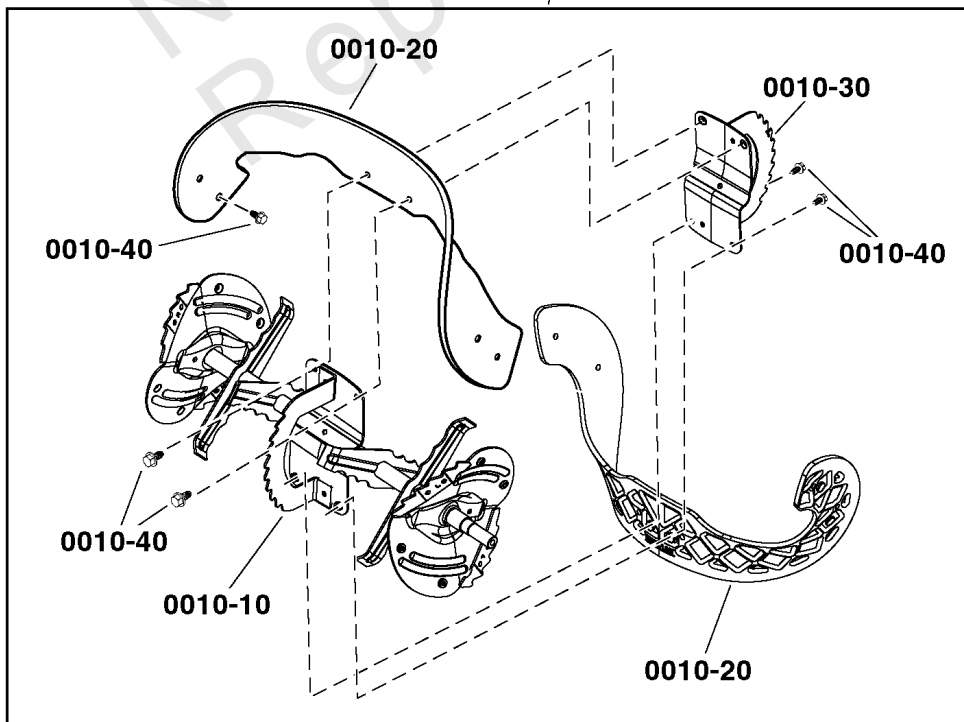
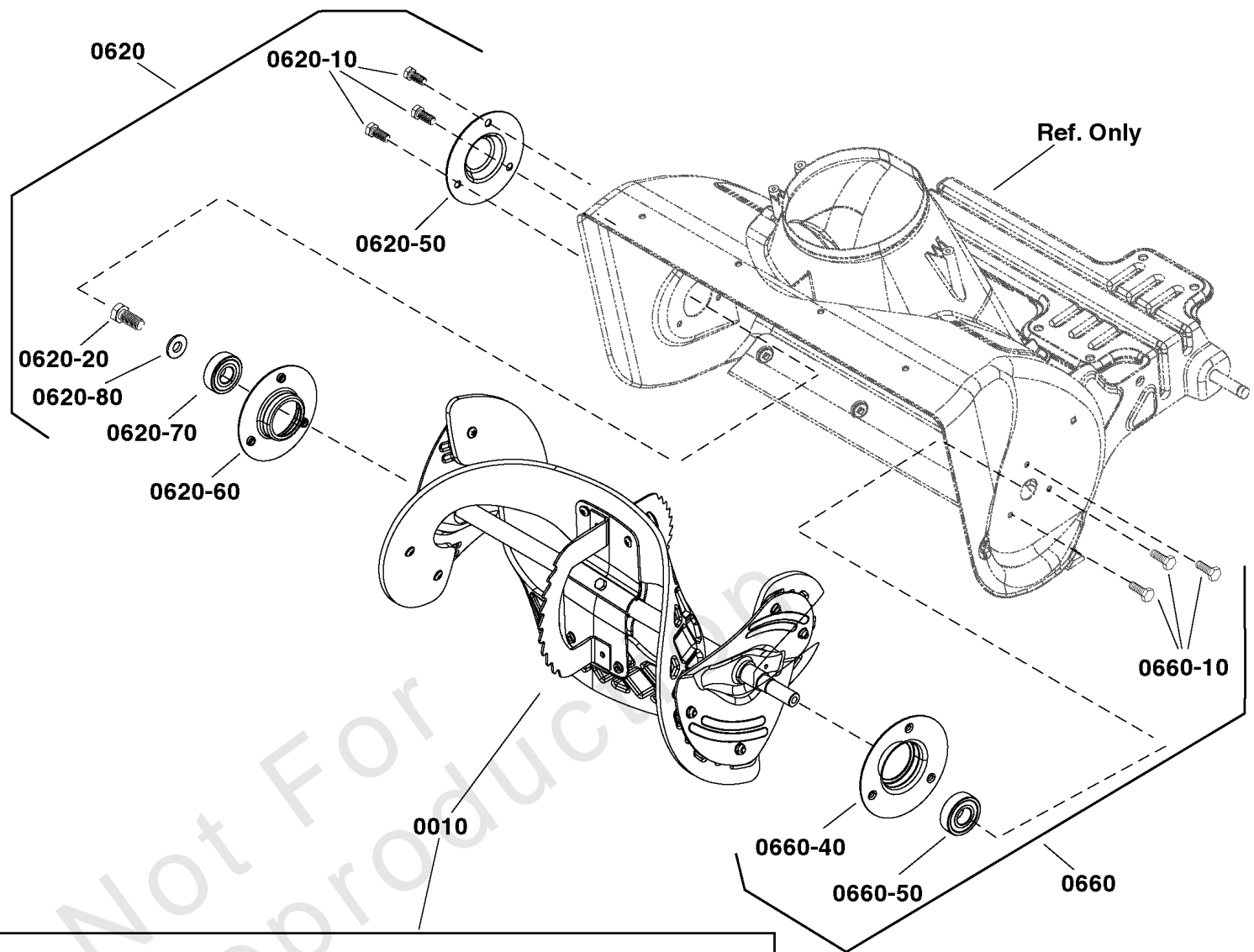
Auger Drive Group

| REF NO | PART NO | QTY | DESCRIPTION |
|--------|---------|-----|--|
| 290 | 709868 | 1 | BELT, Drive |
| 360 | 709927 | 1 | PLATE, Tension |
| 0100 | 709870 | 1 | KIT, AUGER CABLE -(Incl. Ref. Nos. 80, 90, 100) |
| 80 | ----- | 1 | SPRING, Cable |
| 90 | ----- | 1 | SLEEVE, Rubber |
| 100 | ----- | 1 | CABLE, Auger |
| 0300 | 709876 | 1 | KIT, ENGINE PULLEY -(Incl. Ref. Nos. 150, 300, 330, 750) |
| 150 | ----- | 1 | WASHER, M10, Split Lock |
| 300 | ----- | 1 | PULLEY, Driver |
| 330 | 720016 | 1 | SCREW, 3/8-24 x 1, Hex Head |
| 750 | ----- | 1 | WASHER, 10x28x3, Flat |
| 0350 | 709872 | 1 | KIT, IDLER PULLEY, TENSION PLATE -(Incl. Ref. Nos. 160, 310, 320, 340, 350, 600) |
| 160 | ----- | 1 | NUT, M8, Lock |
| 310 | ----- | 1 | Spacer, 8.5 ID, 18 OD, 6 Thick, Shoulder |
| 320 | ----- | 1 | BOLT, M8x40, Carriage |
| 340 | ----- | 1 | SPACER, Idler Pulley |
| 350 | ----- | 1 | PULLEY, 8 ID, 53 OD, 22 Wide, Idler |
| 600 | ----- | 1 | WASHER, 10x20x1.8, Flat |
| 0370 | 709874 | 1 | KIT, HARDWARE, IDLER BRACKET -(Incl. Ref. Nos. 370, 380, 390, 400, 420, 810) |
| 370 | 709869 | 1 | SPRING, Tension |
| 380 | ----- | 1 | NUT, M6, Lock |
| 390 | ----- | 2 | WASHER, 6 X 18 X 1.5, Flat |
| 400 | ----- | 1 | SPACER, Idler Arm |
| 420 | ----- | 1 | WASHER, 8x22x2, Flat |
| 810 | ----- | 1 | NUT, Lock, Hex Flange Head, M6 |
| 0410 | 709875 | 1 | KIT, AUGER PULLEY -(Incl. Ref. Nos. 410, 760, 770, 780, 790, 800) |
| 410 | ----- | 1 | PULLEY, Driven |
| 760 | ----- | 1 | WASHER, Flat, 18x24x2 |
| 770 | ----- | 1 | CLAW, Coupling |
| 780 | ----- | 1 | WASHER, 10X25X2, Flat |
| 790 | ----- | 1 | WASHER, M10, Split Lock |
| 800 | ----- | 1 | NUT, Lock, M10 |
| 0450 | 709871 | 1 | KIT, CABLE BASE, AUGER DRIVE -(Incl. Ref. Nos. 260, 450, 460, 470, 480, 490, 740) |
| 260 | ----- | 2 | WASHER, M6, Split Lock, MC |
| 450 | ----- | 1 | BRACKET, Cable Guide |
| 460 | ----- | 1 | PULLEY, Cable |
| 470 | ----- | 1 | SCREW, M6 X 12, Hex Head Shoulder |
| 480 | 7091835 | 2 | SCREW, M6 1.0X12MM, Hex Head, CZ |
| 490 | ----- | 2 | WASHER, 6x12x.7, Flat |
| 740 | ----- | 1 | NUT, M6, Flange Head |

Auger Group

Note: Unless noted otherwise, use the standard torque specifications

Mfg. No: 1697292-00



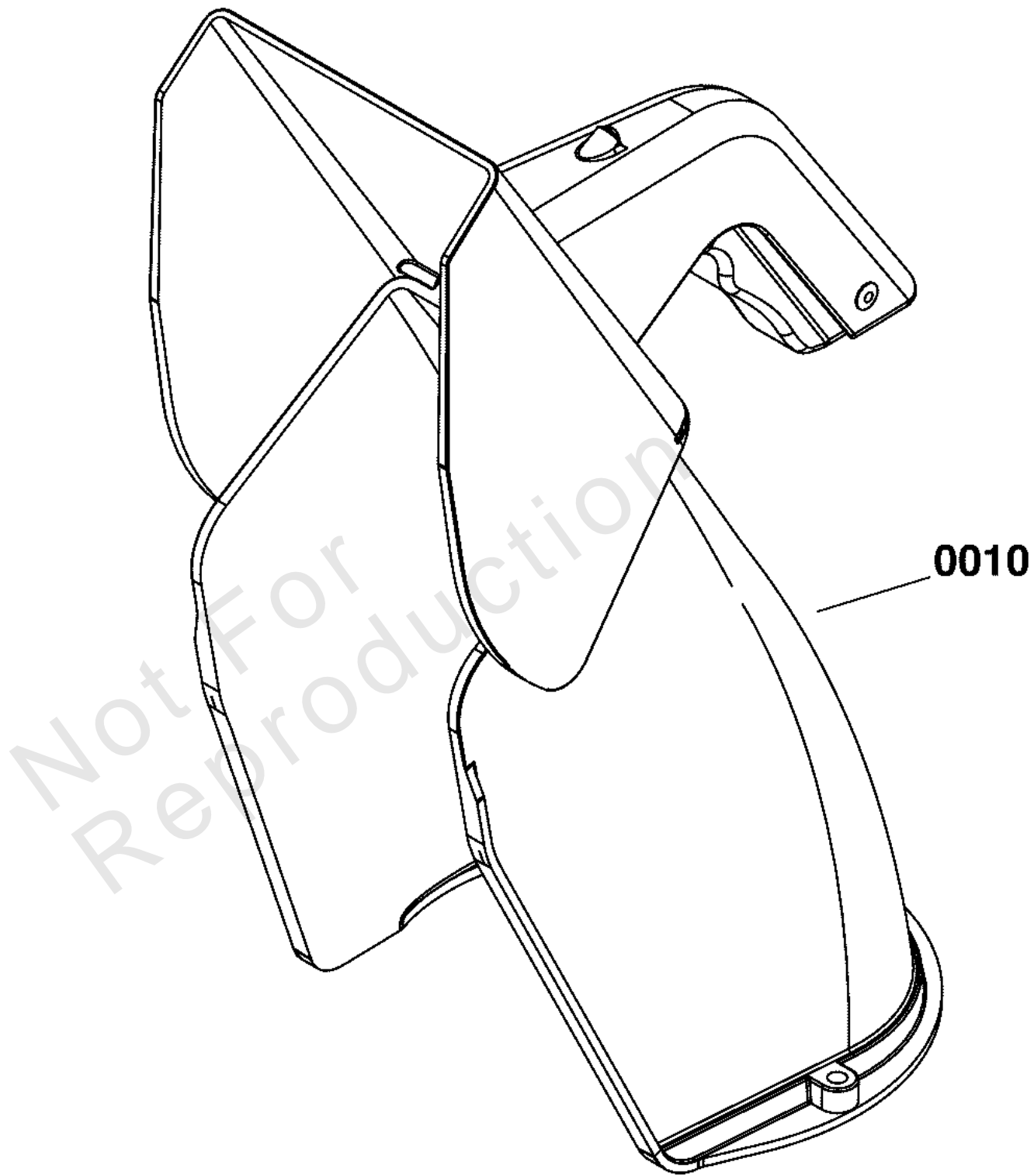
Auger Group

| REF NO | PART NO | QTY | DESCRIPTION |
|---------|----------|-----|---|
| 0010 | 84006448 | 1 | AUGER ASSEMBLY, Complete -(Includes Ref. Nos. 0010-10 thru 0010-0060) |
| 0010-10 | ----- | 1 | *AUGER SHAFT ASSEMBLY |
| 0010-20 | ----- | 1 | **FLIGHT, Auger |
| 0010-30 | ----- | 2 | *PLATE, Auger, Center |
| 0010-40 | ----- | 12 | SCREW, 1/4-20 X 3/4 PAN HD TORX, TT, PHO |
| 0200 | 1687804 | 1 | KIT, AUGER FLIGHT -(Includes Ref. Nos. 0010-20 & 0010-40) |
| 0600 | 1687805 | 1 | KIT, Scraper Bar |
| 0620 | 709882 | 1 | KIT, AUGER BEARING, RIGHT -(Incl. Ref. Nos. 0620-10, 0620-20, 0620-50 through 0620-80) |
| 0620-10 | ----- | 3 | BOLT, HEX, M6X14 |
| 0620-20 | ----- | 1 | SCREW, Hex Head, M6X16 |
| 0620-50 | ----- | 1 | CAP, Bearing |
| 0620-60 | ----- | 1 | RETAINER, Bearing |
| 0620-70 | ----- | 1 | BEARING |
| 0620-80 | ----- | 1 | WASHER, 6x23x3, Flat |
| 0660 | 709878 | 1 | KIT, AUGER BEARING, LEFT -(Incl. Ref. Nos. 0660-10, 0660-40 & 0660-50) |
| 0660-10 | ----- | 3 | BOLT, HEX, M6X14 |
| 0660-40 | ----- | 1 | RETAINER, Bearing |
| 0660-50 | ----- | 1 | BEARING |
| 0700 | 1687806 | 1 | KIT, Auger Flight & Scaper Bar -(Includes Ref Nos. 0200 & 0600) |
| -- | 709877 | 1 | KIT, AUGER BEARING -(Includes Ref Nos. 0620-70 & 0660-50) |

Footnotes:

Note: ** Not a servicable part, order Auger Flight Kit 1687804

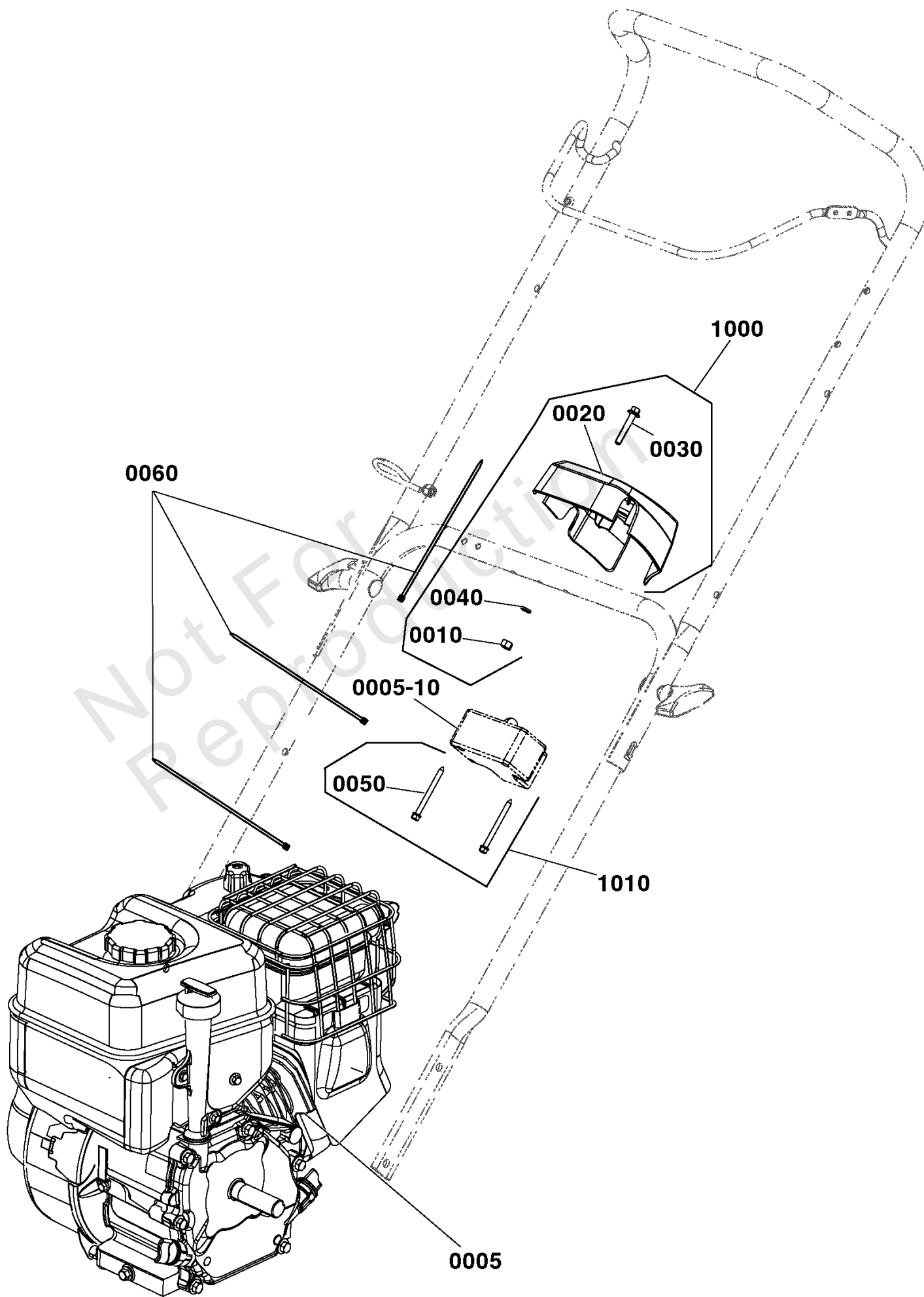
Note: * Not a servicable part, order complete Auger Assembly



Chute Group

| REF NO | PART NO | QTY | DESCRIPTION |
|--------|---------|-----|-----------------------|
| 0010 | 709756 | 1 | CHUTE ASSEMBLY, Quick |

Not For Reproduction



Engine Group

| REF NO | PART NO | QTY | DESCRIPTION |
|---------|----------------|-----|---|
| 0005 | 13A137-0001-F1 | 1 | *ENGINE, 9.5TP Briggs & Stratton -(Engine Model: 13A137-0001-F1) (Refer to Note: *) |
| 0005-10 | 591702 | 1 | **MOTOR, Starter -(Refer to Note: **) |
| 1000 | 709863 | 1 | KIT, STARTER HOUSING -(Incl. Ref. Nos. 0010 through 0040) (For electric start only.) |
| 0010 | ----- | 2 | NUT, M6, Lock |
| 0020 | 1754873YP | 1 | HOUSING, Starter, 110V |
| 0030 | ----- | 1 | SCREW, M6x40, Hex Flange Head |
| 0040 | ----- | 1 | WASHER, 6x12x.7, Flat |
| 1010 | 709864 | 1 | KIT, HARDWARE, STARTER -(Incl. Ref. No. 0050) (For electric start only.) |
| 0050 | 703066 | 2 | SCREW, 8-16 x 2, Pan Head Phillips, Plast. |
| 0060 | 7024649YP | 3 | WIRE TIE, 11 Inch Standard Black Nylon |
| -- | 6219MA | 1 | CORD, Electric, 10FT. 110V -(Not Illustrated) |

Not For
Reproduction

Footnotes:

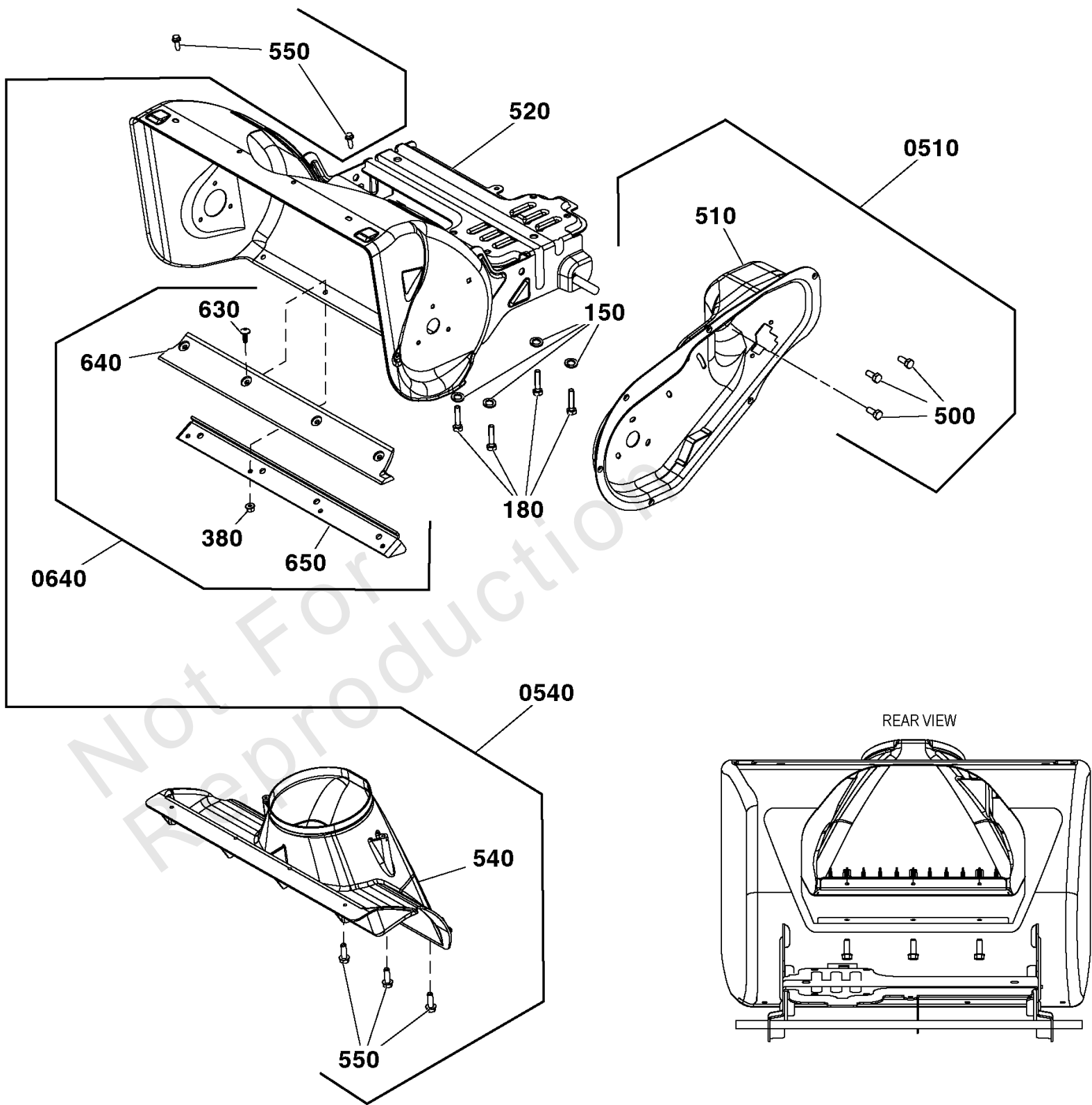
Note** See your local Briggs & Stratton distributor for parts and service.

Note* To verify your specific engine model, please reference the ID Tag located on your engine. See your local Briggs & Stratton distributor for parts and service.

Frame Group

Note: Unless noted otherwise, use the standard torque specifications

Mfg. No: 1697292-00



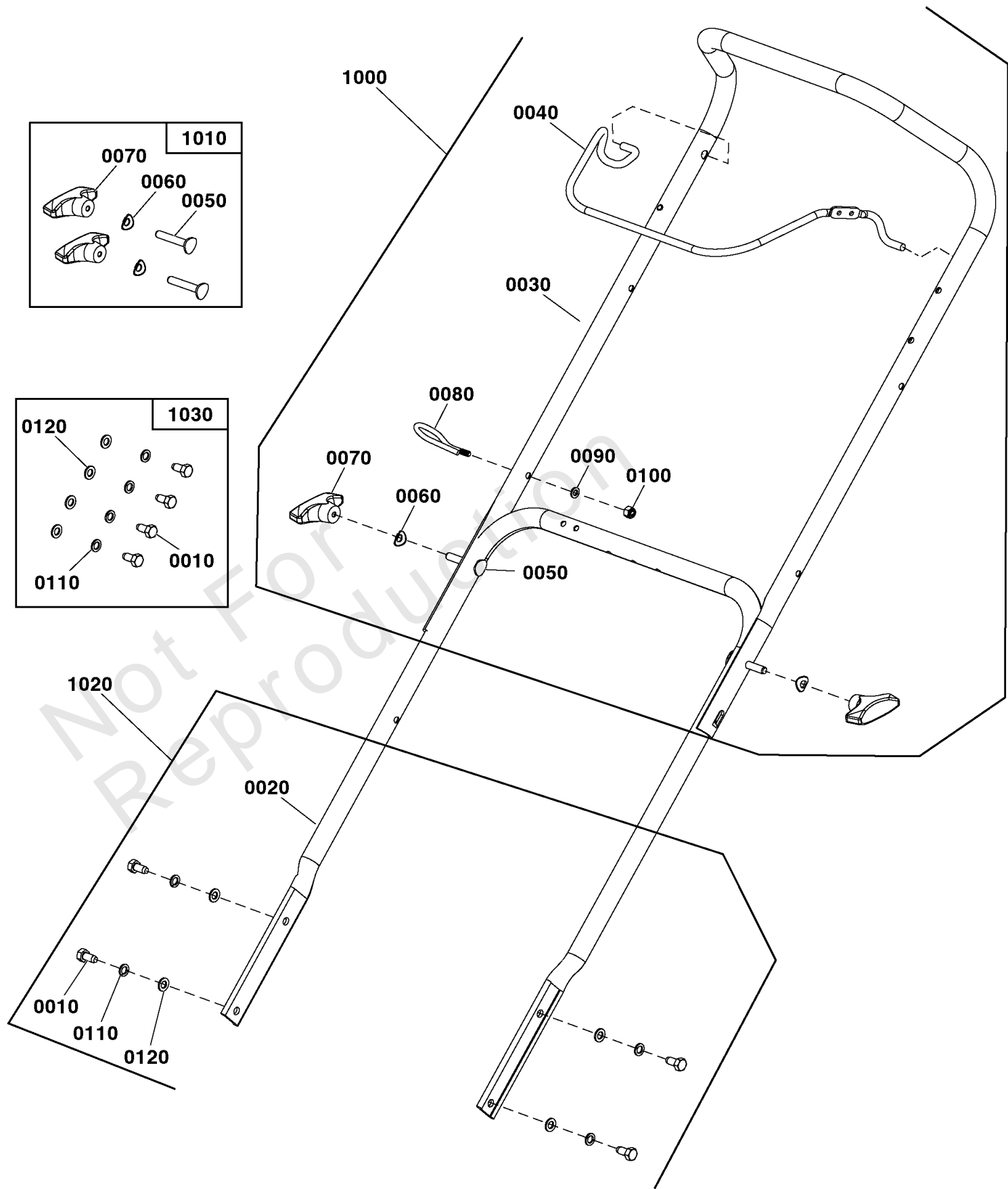
Frame Group

| REF NO | PART NO | QTY | DESCRIPTION |
|--------|-------------|-----|---|
| 150 | ----- | 4 | WASHER, M10, Split Lock |
| 180 | 75246GS | 4 | SCREW, Hex Washer Head, Taptite, 3/8-16 x 1-1/4 |
| 0510 | 709866 | 1 | KIT, DRIVE HOUSING -(Incl. Ref. Nos. 500, 510) |
| 500 | 1752876YP | 3 | CAPSCREW, Hex Head, 5/16-24 x 5/8 |
| 510 | ----- | 1 | HOUSING, Drive |
| 520 | ----- | 1 | HOUSING, Auger -(Not a serviceable part) |
| 0540 | 84004738 | 1 | KIT, CHIMNEY -(Incl. Ref. Nos. 540, 550) |
| 540 | ----- | 1 | CHIMNEY |
| 550 | 7091081SM | 5 | SCREW, 1/4-15X3/4, Self-Tapping, BZ |
| 0640 | 1687805 | 1 | KIT, Scraper Bar -(Incl. Ref. Nos. 380, 630, 640, 650) |
| 380 | 1752935YP | 4 | NUT, 1/4-20, Nylon Hex, CZ |
| 630 | 5025299X5YP | 4 | SCREW, 1/4-20 X 5/8 |
| 640 | ----- | 1 | BAR, Scraper, Robolon |
| 650 | 1752660AYP | 1 | SUPPORT, Scraper Blade |

Handles & Controls Group

Note: Unless noted otherwise, use the standard torque specifications

Mfg. No: 1697292-00



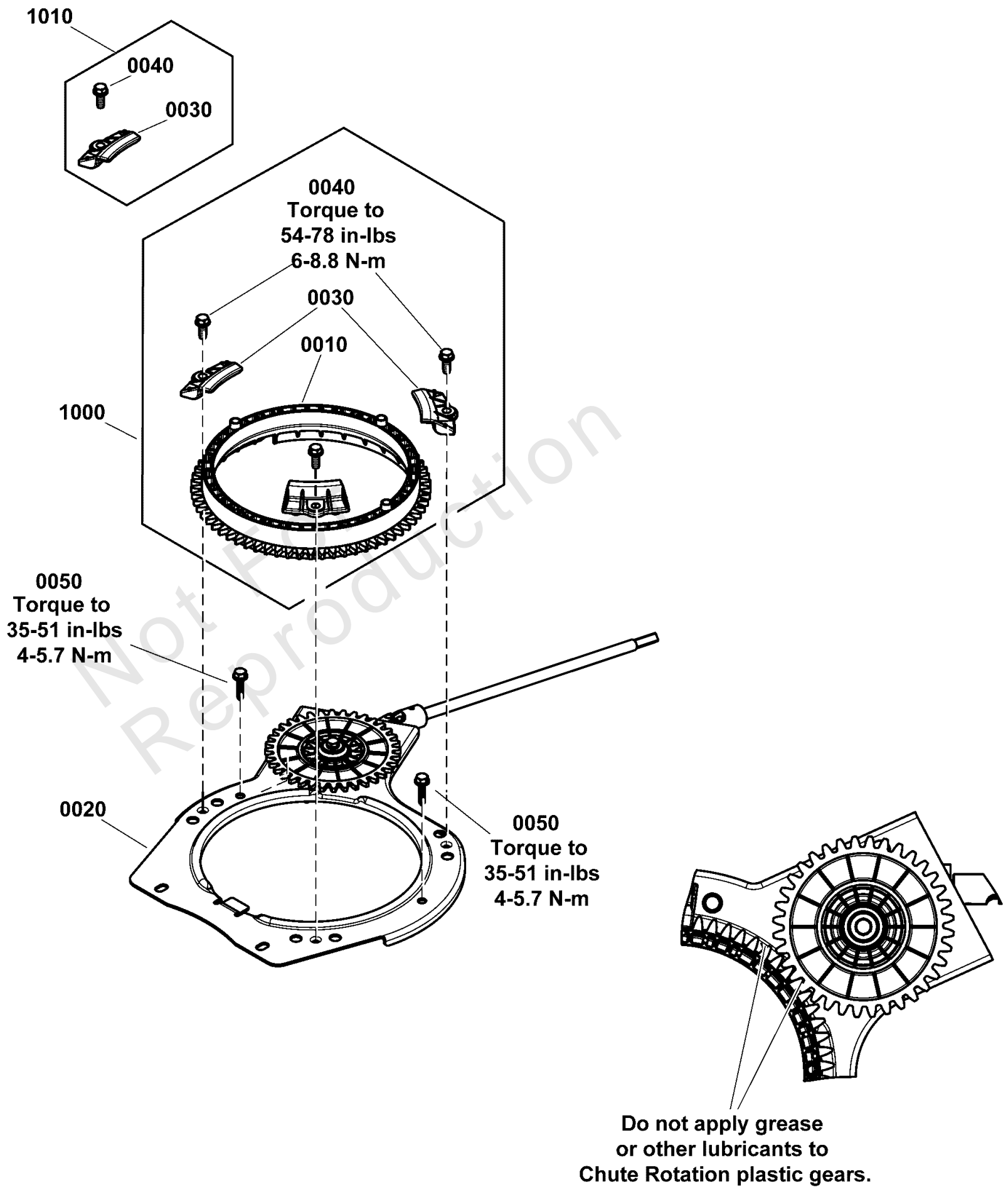
Handles & Controls Group

| REF NO | PART NO | QTY | DESCRIPTION |
|--------|----------|-----|--|
| 1000 | 709860 | 1 | KIT, UPPER HANDLE -(Incl. Ref. Nos. 0030 through 0100) |
| 0030 | ----- | 1 | HANDLEBAR, Upper SS |
| 0040 | 709858 | 1 | BAIL, Engine Stop |
| 0050 | ----- | 2 | BOLT, M8x40, Carriage, Curved Head |
| 0060 | ----- | 2 | WASHER, M8, Curved |
| 0070 | ----- | 2 | KNOB, Wing, M8 |
| 0080 | 84002745 | 1 | GUIDE, ROPE |
| 0090 | ----- | 1 | WASHER, 6x12x.7, Flat |
| 0100 | ----- | 1 | NUT, M6, Lock |
| 1010 | 709859 | 2 | KIT, UPPER HANDLE HARDWARE -(Incl. Ref. Nos. 0050 through 0070) |
| 0050 | ----- | 2 | BOLT, M8x40, Carriage, Curved Head |
| 0060 | ----- | 2 | WASHER, M8, Curved |
| 0070 | ----- | 2 | KNOB, Wing, M8 |
| 1020 | 709862 | 1 | KIT, LOWER HANDLE -(Incl. Ref. Nos. 0010, 0020, 0110 & 0120) |
| 0010 | 703988 | 4 | CAPSCREW M8-1.25X16 |
| 0020 | ----- | 1 | HANDLE, Lower |
| 0110 | ----- | 4 | WASHER, Lock, M8 |
| 0120 | ----- | 4 | WASHER, Flat, 8 X 16 X 1.2 |
| 1030 | 709861 | 1 | KIT, LOWER HANDLE HARDWARE -(Incl. Ref. Nos. 0010, 0110 & 0120) |
| 0010 | 703988 | 4 | CAPSCREW M8-1.25X16 |
| 0110 | ----- | 4 | WASHER, Lock, M8 |
| 0120 | ----- | 4 | WASHER, Flat, 8 X 16 X 1.2 |

Remote Rotation Group

Note: Unless noted otherwise, use the standard torque specifications

Mfg. No: 1697292-00



Remote Rotation Group

| REF NO | PART NO | QTY | DESCRIPTION |
|--------|---------|-----|--|
| 0020 | 770634 | 1 | REMOTE CHUTE ASSEMBLY, Plate |
| 1000 | 709922 | 1 | KIT, CHUTE GEAR -(Incl. Ref. Nos. 0010, 0030, 0040) |
| 0010 | ----- | 1 | GEAR, 65T, 8P, Driven, SS Chute Rotation |
| 0030 | ----- | 3 | RETAINER, Chute |
| 0040 | 703054 | 3 | SCREW, Hex Washer Head, 1/4-20 x 5/8 |
| 1010 | 772082 | 1 | KIT, Chute Retainer -(Incl. Ref. Nos. 0030 & 0040) |
| 0030 | ----- | 1 | RETAINER, Chute |
| 0040 | 703054 | 1 | SCREW, Hex Washer Head, 1/4-20 x 5/8 |
| 0050 | 706516 | 2 | SCREW, Hi-Low, 1/4-15 x 1 |

Not For Reproduction

