



# SERVICE PARTS LIST

**BULLETIN NO.**  
**54-10-4011**

SPECIFY CATALOG NO. AND SERIAL NO. WHEN ORDERING PARTS		REVISED BULLETIN 54-10-4010	DATE April '91
<b>TWO SPEED HOLE HAWG®</b>		WIRING INSTRUCTION <b>58-01-0626</b>	
CATALOG NO. 1675-1	STARTING SERIAL NO. 413-347251		

**EXAMPLE:**  

00	0
----	---

 Component Parts (Small #) Are Included  
 When Ordering The Assembly (Large #).

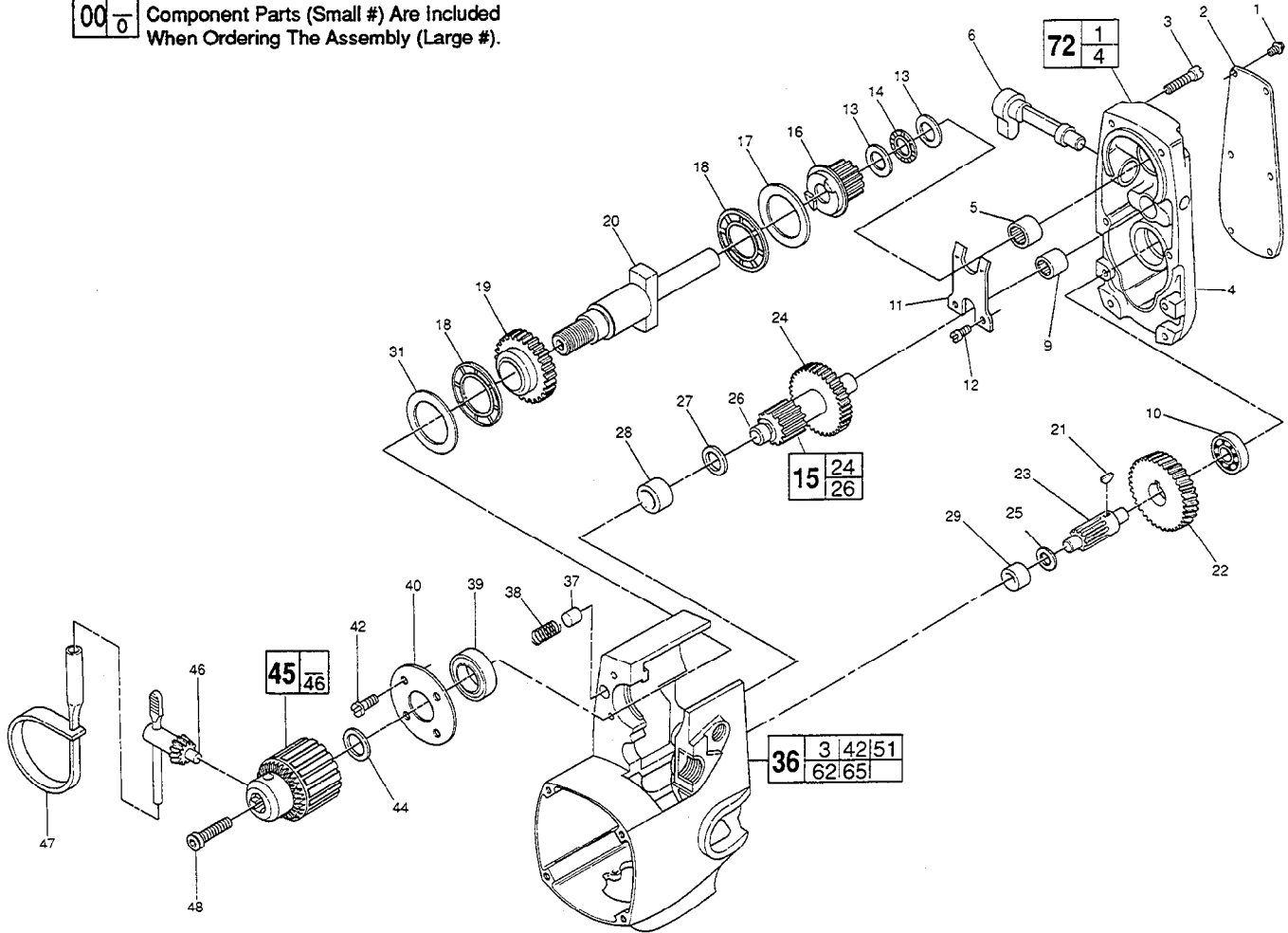


FIG.	PART NO.	DESCRIPTION OF PART	NO. REQ.
★ 1	06-82-5266	4-40x1/4" Pan Hd. T-10 Screw	(6)
2	12-98-7050	Nameplate	(1)
★ 3	06-82-5362	8-32x1" Pan Hd. T-20 Screw	(6)
★ 4	28-20-1251	Gear Case Cover	(1)
5	02-50-3170	Needle Bearing	(1)
6	31-11-0100	Shifting Cam	(1)
9	02-50-2750	Needle Bearing	(1)
10	02-04-0910	Ball Bearing	(1)
11	45-98-0100	Shifting Yoke	(1)
★ 12	06-82-7252	8-32x3/8" Pan Hd. T-20 Screw	(2)
13	45-88-7150	Thrust Washer	(2)
14	02-80-6020	Thrust Bearing	(1)
★ 15	36-66-4520	2nd. Intermediate Pinion / Gear	(1)
16	32-10-0132	Hi-Speed Clutch Gear Assembly	(1)
17	45-88-7140	Thrust Washer	(1)
18	02-80-1800	Thrust Bearing	(2)
19	32-10-0122	Lo-Speed Clutch Gear Assembly	(1)
20	38-50-4991	Spindle	(1)
21	06-42-1200	No. 212 Woodruff Key	(1)
22	32-42-1301	1st. Intermediate Gear	(1)
23	36-66-4071	1st. Intermediate Pinion	(1)
★ 24	32-44-1315	2nd. Intermediate Gear	(1)
25	45-88-7100	Fiber Thrust Washer	(1)
★ 26	36-66-4515	2nd Intermediate Shaft Assembly	(1)
27	45-88-7095	Fiber Thrust Washer	(1)
28	02-50-3180	Needle Bearing	(1)
29	02-50-2020	Needle Bearing	(1)

FIG.	PART NO.	DESCRIPTION OF PART	NO. REQ.
31	45-88-0520	Thrust Washer	(1)
36	28-50-6127	Motor Housing Assembly	(1)
37	44-70-0160	Shifting Plunger	(2)
38	40-50-7670	Shifting Spring	(2)
39	02-04-1700	Ball Bearing	(1)
40	44-66-5241	Bearing Retainer Plate	(1)
★ 42	06-82-7252	8-32x3/8" Pan Hd. T-20 Screw	(4)
44	45-88-0330	Chuck Spacer Washer	(1)
45	48-66-1381	Chuck	(1)
46	48-66-3280	Chuck Key	(1)
47	48-66-4040	Key Holder	(1)
48	06-75-3150	1/4-20x1" L.H. Soc. Hd. Cap Screw	(1)
★ 72	28-20-1126	Gear Case Cover Assembly	(1)

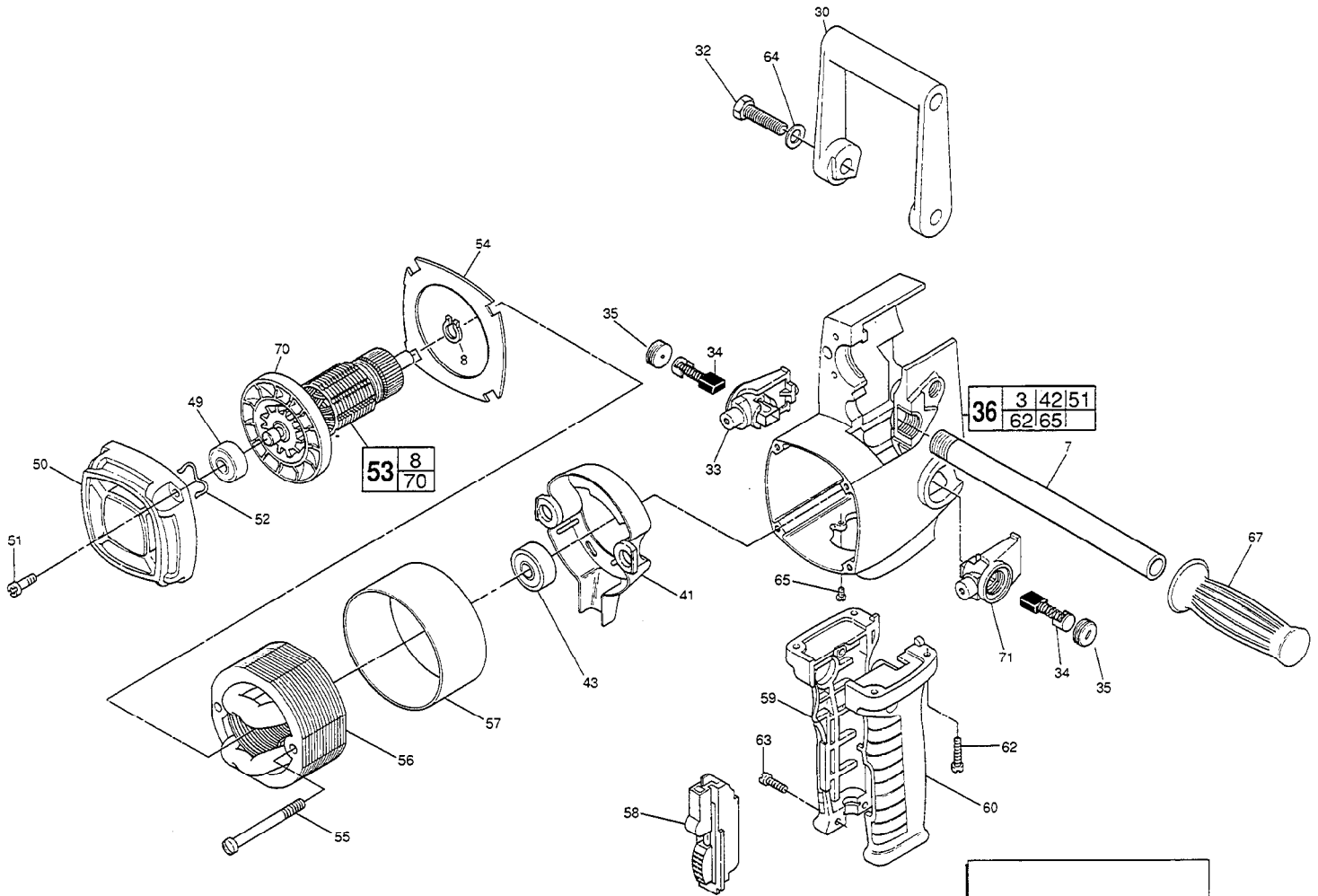
**SEE REVERSE SIDE**

FIG.	PART NO.	DESCRIPTION OF PART	NO. REQ.
31	45-88-0520	Thrust Washer	(1)
36	28-50-6127	Motor Housing Assembly	(1)
37	44-70-0160	Shifting Plunger	(2)
38	40-50-7670	Shifting Spring	(2)
39	02-04-1700	Ball Bearing	(1)
40	44-66-5241	Bearing Retainer Plate	(1)
★ 42	06-82-7252	8-32x3/8" Pan Hd. T-20 Screw	(4)
44	45-88-0330	Chuck Spacer Washer	(1)
45	48-66-1381	Chuck	(1)
46	48-66-3280	Chuck Key	(1)
47	48-66-4040	Key Holder	(1)
48	06-75-3150	1/4-20x1" L.H. Soc. Hd. Cap Screw	(1)
★ 72	28-20-1126	Gear Case Cover Assembly	(1)

**FIG. 20,45** NOTES  
Chuck mounted to spindle @ 90 ft./lbs. torque.

**FIG. 4** LUBRICATION  
3-1/2 oz. Type "E" Grease, No. 49-08-4121.  
Prelube all needle bearings with Type "E" Grease, No. 49-08-4121.

**MILWAUKEE ELECTRIC TOOL CORPORATION**  
13135 W. LISBON RD., BROOKFIELD, WI 53005



36	3	42	51
	62	65	

53	8
	70

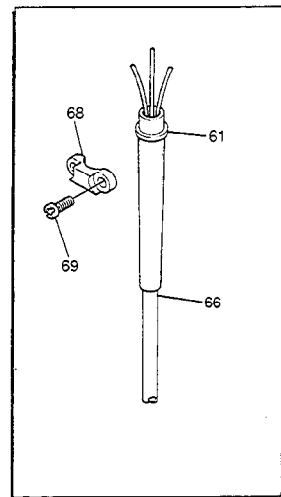


FIG.	PART NO.	DESCRIPTION OF PART	NO. REQ.
	7	Pipe Handle	(1)
	8	Retaining Ring	(1)
	30	Spade Handle	(1)
	32	3/8-16 x 1" Hex Hd. Spade Handle Screw	(2)
	33	R. H. Brush Holder Assembly	(1)
	34	Carbon Brush Assembly	(2)
	35	Brush Retaining Cap	(2)
	36	Motor Housing Assembly	(1)
	41	Coil Shield	(1)
	43	Ball Bearing	(1)
	49	Ball Bearing	(1)
	50	Bearing Support Housing	(1)
★	51	8-32x3/4" Pan Hd. T-20 Screw	(4)
	52	Spring Washer	(1)
	53	Armature Assembly	(1)
	54	Baffle	(1)
	55	8-16x1-7/8" Plastite Pan Hd. Screw	(2)
	56	Field Assembly	(1)
	57	Field Insulator	(1)
	58	Switch	(1)

FIG.	PART NO.	DESCRIPTION OF PART	NO. REQ.
	59	R.H. Drill Handle	(1)
	60	L.H. Drill Handle	(1)
	61	Cord Protector	(1)
	62	12-24x3/4" Pan Hd. Taptite T-27 Screw	(4)
	63	8-16x1" Plastite T-20 Screw	(3)
	64	Flat Washer	(2)
★	65	6-32x1/4" Ground Screw	(1)
	66	Cord Set	(1)
	67	Handle Grip	(1)
	68	Cord Clamp	(1)
	69	8-16x5/8" Pan Hd. Slit. T-20 Plastite	(2)
	70	Fan	(1)
	71	L.H. Brush Holder Assembly	(1)
	10-98-5986	Caution Label	(1)