

## Cordless Circular Saw - 0 601 66C 343 - 1662

www.powertools-aftersaleservice.com

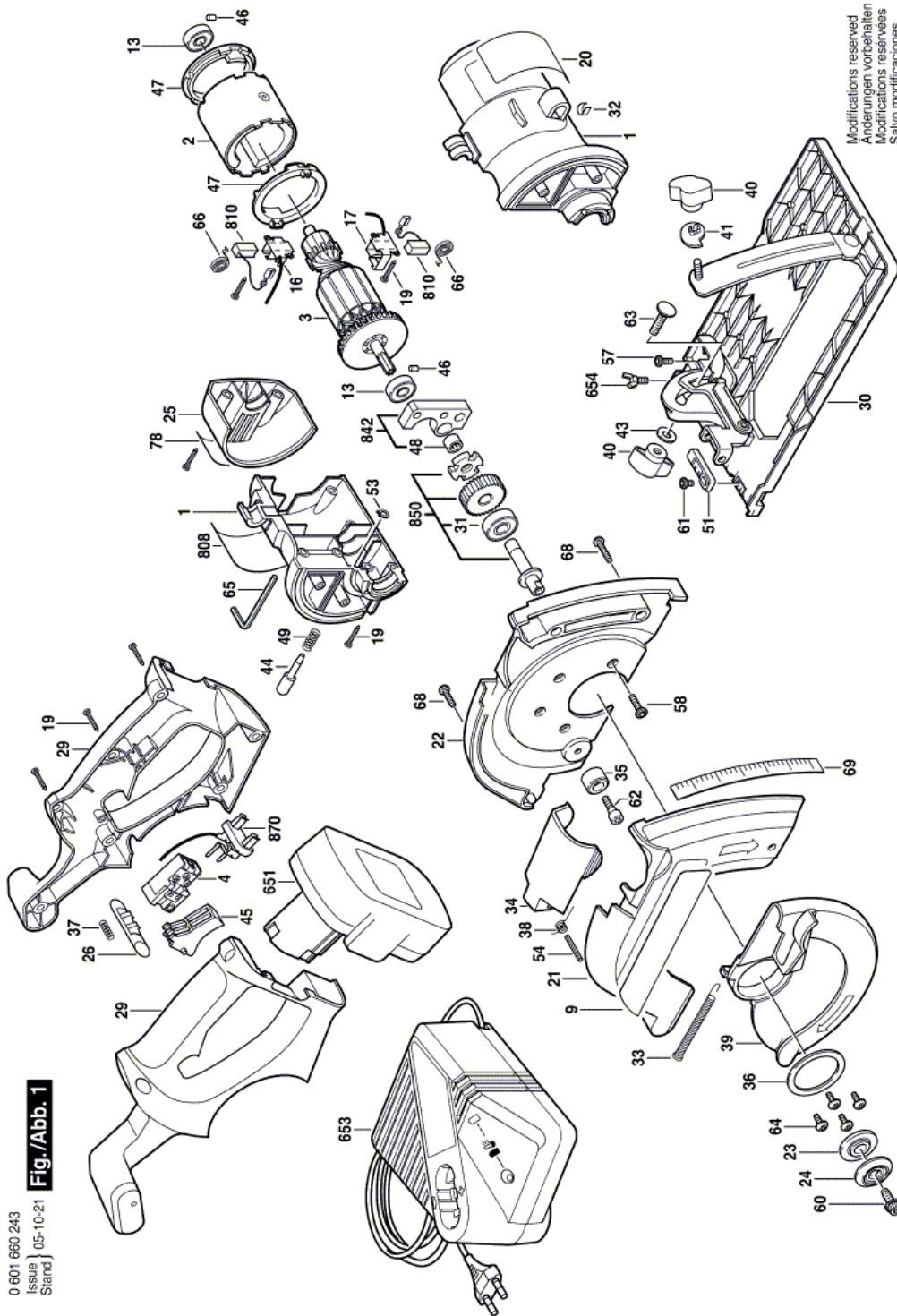


**BOSCH**

Item	Part Number	Description	Illustration	Price	Quantity	Price Group
1	2 610 997 458	Motor Housing	1	-,-	1	33
2	1 615 100 009	Pole housing 14,4-24V	1	-,-	1	29
3	2 610 909 086	Armature	1	-,-	1	-
4	2 610 997 469	On-Off Switch	1	-,-	1	33
9	2 610 916 828	Reference Plate	1	-,-	1	-
13	2 610 351 861	Ball Bearing	1	-,-	2	23
16	2 610 997 519	Brush Holder	1	-,-	1	19
17	2 610 997 518	Brush Holder	1	-,-	1	19
19	2 610 909 719	Screw BLACK	1	-,-	20	11
20	2 610 916 835	Reference Plate	1	-,-	1	-
21	2 610 997 493	Protective Guard	1	-,-	1	-
22	2 610 997 491	Upper Housing	1	-,-	1	-
23	2 610 997 473	Inner Disc	1	-,-	1	14
24	2 610 997 472	Washer	1	-,-	1	12
25	2 610 997 459	End cap	1	-,-	1	-
26	2 610 997 470	Switch Button	1	-,-	1	14
29	2 610 997 545	Set Of Handles	1	-,-	1	30
30	2 610 997 471	Base Plate	1	-,-	1	-
31	1 900 905 173	Deep-Groove Ball Bearing 6000-2RS DIN 625	1	-,-	1	17
32	2 610 997 508	Spring	1	-,-	1	12
33	2 610 997 489	Extension Spring	1	-,-	1	13
34	2 610 997 501	Dust Cap	1	-,-	1	-
35	1 619 P01 532	End stop	1	-,-	1	11
36	2 610 386 556	Washer	1	-,-	1	12
37	1 619 P01 530	Compression Spring	1	-,-	1	10
38	2 610 997 507	Compression Spring	1	-,-	1	-
39	2 610 997 498	Pivoting Blade Guard	1	-,-	1	-
40	2 610 917 567	Knob	1	-,-	1	20
41	2 610 997 457	Depth-Gauge	1	-,-	1	10
43	1 619 P01 535	Washer	1	-,-	1	11
44	2 610 997 464	Locking Pin	1	-,-	1	-
45	2 610 997 461	Trigger	1	-,-	1	15
46	2 610 350 103	Pin	1	-,-	2	11

Item	Part Number	Description	Illustration	Price	Quantity	Price Group
47	2 610 942 931	Locating Ring	1	-,-	2	12
48	1 600 910 018	Needle bearing Ø8xØ12x8 MM	1	-,-	1	16
49	1 619 P01 531	Spring	1	-,-	1	11
51	2 610 997 451	Indicator	1	-,-	1	-
53	2 610 908 255	Retaining snap ring	1	-,-	2	-
54	2 610 015 968	Roller Pin	1	-,-	1	-
57	2 610 350 698	Screw	1	-,-	1	10
58	1 619 X00 504	Screw	1	-,-	4	10
60	2 610 997 475	Flange Bolt	1	-,-	1	13
61	1 619 P01 537	Screw	1	-,-	1	10
62	1 619 P01 538	Screw	1	-,-	1	11
63	1 619 P01 539	Trunnion	1	-,-	1	10
64	2 610 907 295	Screw	1	-,-	4	13
65	1 619 P01 540	Hexagon Socket Wrench	1	-,-	1	11
66	2 610 907 388	Spiral Spring	1	-,-	2	14
68	1 619 P01 491	Screw	1	-,-	4	10
69	2 610 997 538	Reference Plate	1	-,-	1	-
78	2 610 997 925	Warning Plate	1	-,-	1	-
651	2 607 335 717	Accumulator Battery 18V,2,4Ah, HD	1	-,-	1	52
653	2 607 225 033	Fast Charger USA 120/7,2-24V, 30 MIN.	1	-,-	1	46
654	2 610 990 806	Adjustment Knob	1	-,-	1	12
808	1 619 P01 350	Nameplate	1	-,-	1	-
810	1 617 014 131	Carbon-Brush Set	1	-,-	1	22
842	2 610 997 509	Pivot Plate	1	-,-	1	23
850	2 610 000 765	Spindle Assembly	1	-,-	1	31
870	2 610 997 911	Pickup Clip	1	-,-	1	18

Illustration - Type E



Information subject to change without further notice.