



SERVICE PARTS LIST

BULLETIN NO.
54-10-0124

SPECIFY CATALOG NO. AND SERIAL NO. WHEN ORDERING PARTS		REVISED BULLETIN 54-10-0123	DATE Mar. '88
1/2" REVERSING COMPACT DRILL		WIRING INSTRUCTION 58-01-0539	
CATALOG NO. 1660-1	STARTING SERIAL NO. 719-67000		

00/0

EXAMPLE:
Component Parts
(Small #) Are Included
When Ordering The
Assembly (Large #).

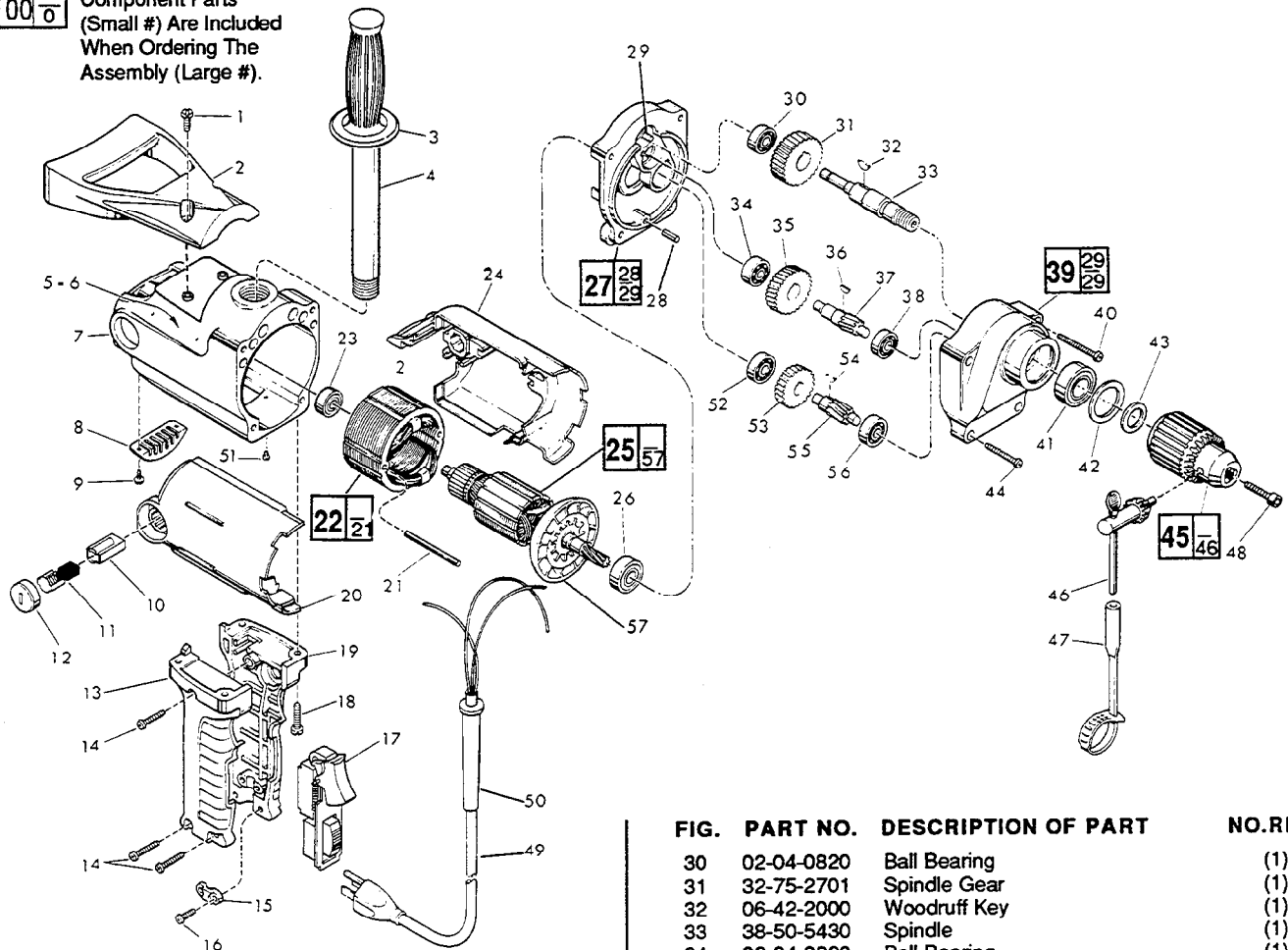


FIG.	PART NO.	DESCRIPTION OF PART	NO. REQ.
	1	06-95-0460 12-24x3/4" Pan Hd. Taptite Sem.	(2)
★	2	31-44-1550 Spade Handle	(1)
	3	43-62-0246 Handle Grip	(1)
	4	43-62-0235 Pipe Handle	(1)
	5	12-99-0320 Nameplate Blank	(1)
	6	06-85-0200 6x1/4" Nameplate Screw	(2)
★	7	26-50-6295 Motor Housing	(1)
	8	44-66-5510 Cover Plate	(1)
	9	06-95-0210 6-32x1/4" Plastite Screw	(2)
	10	22-20-0660 Brush Tube	(2)
	11	22-18-0680 Carbon Brush Assembly	(2)
	12	23-44-0180 Brush Retaining Screw	(2)
	13	31-44-1440 Right Hand Handle Half	(1)
	14	06-82-7326 8-16x1" Plastite Screw	(3)
	15	31-17-0156 Cord Clamp	(1)
	16	06-95-0216 8-16x5/8" Plastite Screw	(2)
	17	23-66-1420 On-Off Reversing Switch	(1)
	18	06-95-0460 12-24x3/4" Pan Hd. Taptite Sem.	(4)
	19	31-44-1445 Left Hand Handle Half	(1)
	20	23-16-1275 Motor Insulator - Right Half	(1)
	21	06-65-1230 Grooved Pin	(2)
	22	18-50-0062 120 V. Field	(1)
	23	02-04-0847 Ball Bearing	(1)
	24	23-16-1276 Motor Insulator - Left Half	(1)
	25	16-50-0060 120 V. Armature	(1)
	26	02-04-1040 Ball Bearing	(1)
	27	28-28-1700 Diaphragm	(1)
	28	06-65-0625 3/16 x 1/2" Groove Pin	(1)
	29	45-30-0060 Bearing Retaining Slug	(3)

FIG.	PART NO.	DESCRIPTION OF PART	NO. REQ.
	30	02-04-0820 Ball Bearing	(1)
	31	32-75-2701 Spindle Gear	(1)
	32	06-42-2000 Woodruff Key	(1)
	33	38-50-5430 Spindle	(1)
	34	02-04-0820 Ball Bearing	(1)
	35	32-44-1161 Intermediate Gear	(1)
	36	06-42-0800 Woodruff Key	(1)
	37	36-66-2252 Intermediate Shaft	(1)
	38	02-04-0820 Ball Bearing	(1)
	39	28-14-1715 Gear Case Assy.	(1)
	40	06-95-1650 10-24x1-7/16" Fil. Hd. Taptite Sem.	(2)
	41	02-04-1567 Ball Bearing	(1)
	42	34-80-2500 Retaining Ring	(1)
	43	45-88-0330 Chuck Washer	(1)
	44	06-95-1625 10-24x1-3/16" Fil. Hd. Taptite Sem.	(2)
	45	48-66-1381 1/2" Reversing Chuck	(1)
	46	48-66-3280 Chuck Key	(1)
	47	48-66-4040 Key Holder	(1)
	48	06-75-3150 1/4-20x1" Skt. Hd. Cap Screw L.H.Thread	(1)
	49	22-64-0121 Cord Set	(1)
	50	44-76-0150 Cord Protector	(1)
	51	06-81-8625 6-32 x 1/4 Ground Sem.	(1)
	52	02-04-0820 Ball Bearing	(1)
	53	32-42-1221 Intermediate Gear	(1)
	54	06-42-0800 Woodruff Key	(1)
	55	36-66-2201 Intermediate Shaft	(1)
	56	02-04-0820 Ball Bearing	(1)
	57	22-84-0660 Fan	(1)
		10-98-5986 Warning Label	(1)

FIG. LUBRICATION

39 5-1/2 Oz. Type "A" Grease, 49-08-0800.

MILWAUKEE ELECTRIC TOOL CORPORATION
13135 W. LISBON RD., BROOKFIELD, WI 53005