

BOSCH

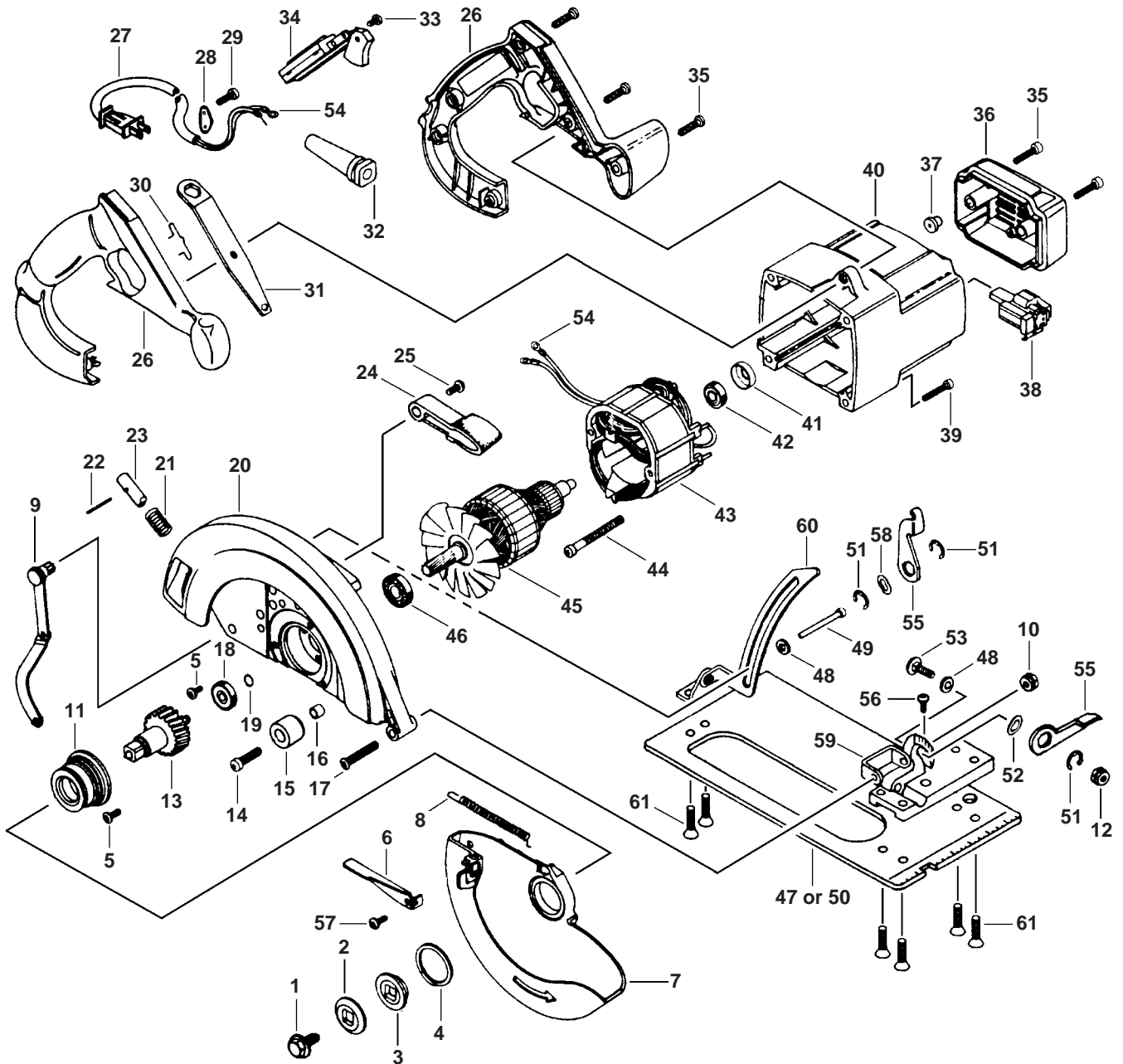
January 1997
INDUSTRIAL

7-1/4" CIRCULAR SAW

Model 0601655168

1655

(.168)



1655 (.168) 7-1/4" CIRCULAR SAW

Pos.	Part Number	Description {Qty}	F/C	Pos.	Part Number	Description {Qty}	F/C
1	2 610 016 657	Blade Bolt	85	33	2 610 901 971	Screw	89
2	2 610 355 550	Outer Flange	91	34	2 610 321 608	Switch On/Off	34
3	2 610 350 668	Inner Flange 5/8"	91	35	2 610 341 364	Screw {8}	89
4	2 610 341 359	Retaining Ring	89	36	2 610 905 311	Motor Housing Cover	70
5	2 610 341 365	Screw {6}	89	37	2 610 350 655	Rubber Bumper {2}	9
6	2 610 351 898	Guard Lever	9	38	2 610 355 594	Brush & Holder Set	25
7	2 610 346 580	Lower Guard	92			(set contains 2 each)	
8	2 610 347 486	Guard Spring	27	39	2 610 341 335	Screw {4}	89
9	2 610 354 607	Swivel Arm	9	40	2 610 903 196	Motor Housing	71
10	2 610 904 165	Nut	89	41	2 610 326 023	Rubber Bearing Sleeve	82
11	2 610 350 678	Gear Cover w/Bearing	70	42	2 610 017 348	Ball Bearing	60
12	2 610 901 988	Nut	89	43	2 610 351 836	Field 120V	22
13	2 610 350 657	Shaft w/Gear	32	44	2 610 352 806	Screw {2}	89
14	2 610 347 100	Screw	89	45	2 610 908 397	Armature w/Fan 120V	AW
15	2 610 341 394	Guard Stop	9	46	2 610 350 311	Ball Bearing	61
16	2 610 341 366	Spacer	9	47	2 610 352 094	Foot Plate	88
17	2 610 909 129	Bolt	89	48	2 610 351 293	Washer {2}	65
18	2 610 010 409	Ball Bearing	56	49	2 610 904 102	Bolt	89
19	2 610 350 683	Retaining Ring	89	50	2 610 905 036	Foot Plate Assembly	88
20	2 610 905 040	Upper Guard	72			w/pos. 47, 59, 60, 61	
21	2 610 350 667	Spring	27	51	2 610 341 354	Circlip {3}	89
22	2 610 020 656	Roll Pin	66	52	2 610 069 183	Washer	65
23	2 610 351 295	Lock Pin	81	53	2 610 905 039	Bolt	89
24	2 610 355 385	Lift Lever	9	54	2 610 316 596	Terminal Ring {4}	10
25	2 610 354 611	Screw	89	55	2 610 901 987	Lock Lever {2}	81
26	2 610 904 144	Handle Set	74	56	2 610 350 698	Screw	89
27	3 604 460 514	Cord 120V 16/2	11	57	2 610 328 924	Screw	89
28	2 610 364 033	Cord Clamp	89	58	2 610 313 808	Washer	65
29	2 610 326 578	Screw {2}	89	59	2 610 904 150	Bevel Bracket	88
30	2 610 350 663	Clip Spring	9	60	2 610 904 152	Depth Bracket	88
31	2 610 351 201	Blade Wrench	9	61	2 610 352 119	Screw {6}	89
32	2 610 313 327	Strain Relief	11	+ 63	2 610 911 338	Nameplate	9

Service Notes: