

## Circular hand saw - 0 601 654 934 - 1654

www.powertools-aftersaleservice.com

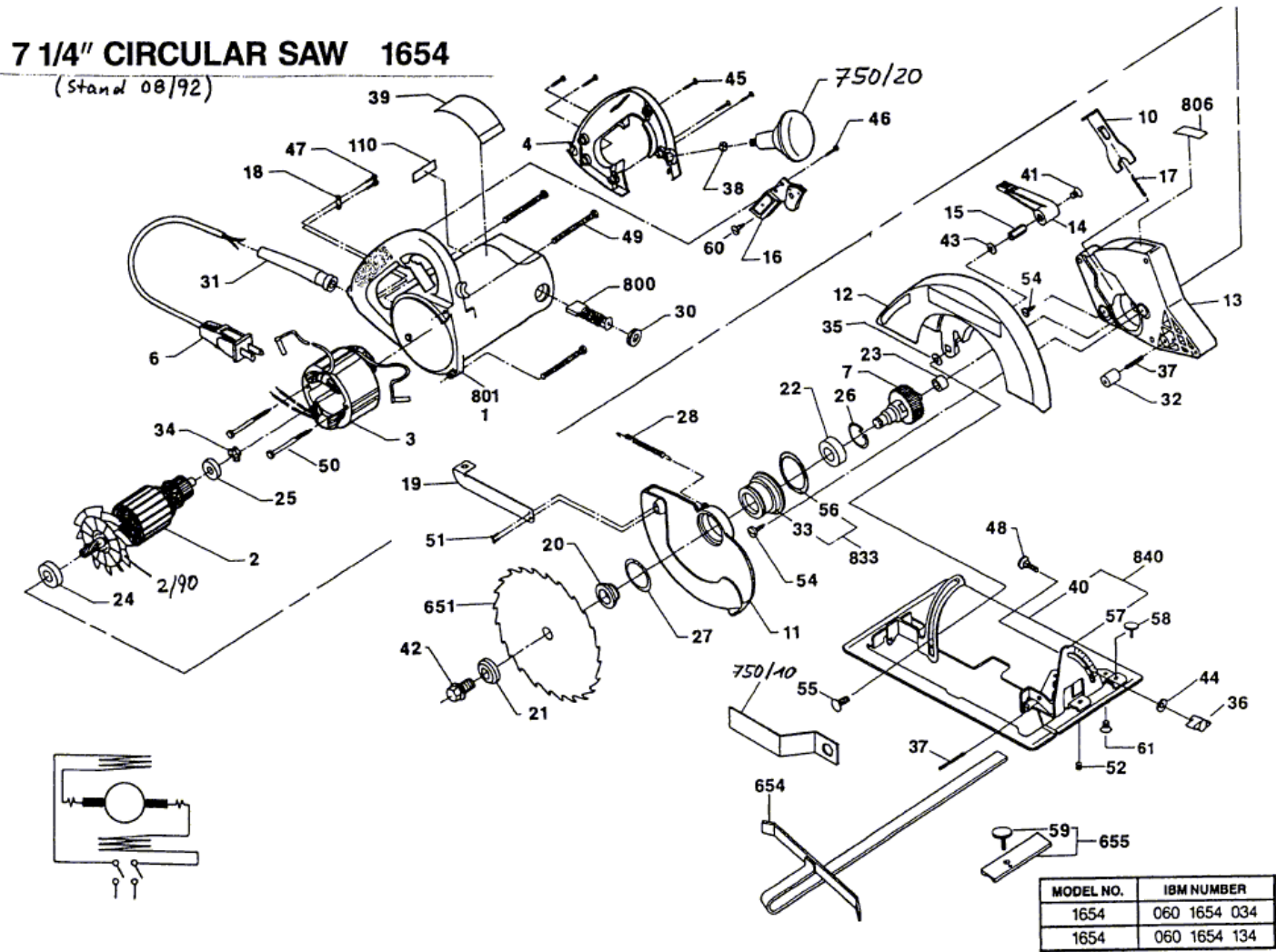


**BOSCH**

Item	Part Number	Description	Illustration	Price	Quantity	Price Group
1	3 605 108 531	Motor Housing	1	-,-	1	-
2	3 604 011 554	Armature 115V	1	-,-	1	48
2/90	3 606 610 515	Fan	1	-,-	1	18
3	3 604 220 541	Field 115V	1	-,-	1	45
4	3 605 133 516	Handle Cover BLUE	1	-,-	1	25
6	3 604 460 545	Power supply cord	1	-,-	1	-
7	3 606 328 505	Spindle With Gear	1	-,-	1	-
10	3 601 961 501	Locking Device	1	-,-	1	17
11	3 605 500 591	Pivoting Blade Guard	1	-,-	1	36
13	3 605 806 518	Gear Housing	1	-,-	1	-
14	3 602 000 507	Locking Lever	1	-,-	1	14
15	3 603 300 500	Intermediate Piece	1	-,-	1	14
17	3 604 613 504	Extension Spring	1	-,-	1	14
18	3 601 032 500	Fastening Clamp	1	-,-	1	20
19	3 601 923 507	Protecting Cover	1	-,-	1	14
20	3 600 101 508	Conical Spring Washer	1	-,-	1	18
21	3 600 144 500	Conical Spring Washer	1	-,-	1	14
22	3 600 900 521	groove ball bearing	1	-,-	1	28
23	3 600 910 502	Needle-Roller Bearing	1	-,-	1	18
24	3 600 900 520	groove ball bearing	1	-,-	1	28
25	2 610 904 891	Ball Bearing	1	-,-	1	29
26	3 600 119 505	Spring retaining ring	1	-,-	1	13
27	3 600 119 506	Spring retaining ring	1	-,-	1	13
28	3 604 648 504	Extension Spring	1	-,-	1	14
30	2 610 994 437	Screw Cap	1	-,-	2	14
31	3 600 707 503	Grommet Ø 9,4 MM	1	-,-	1	13
32	3 600 305 501	Stop Bushing	1	-,-	1	-
34	3 600 150 503	Locating Washer	1	-,-	1	13
35	3 600 102 503	Washer	1	-,-	1	11
36	1 603 339 006	Wing Nut M6	1	-,-	1	11
37	2 917 765 106	Slotted Spring Pin DIN 1481-4x32	1	-,-	2	11
38	2 915 011 065	Hex Nut DIN 934-M8-M-8	1	-,-	1	-
39	3 601 119 644	Reference Plate	1	-,-	1	15

Item	Part Number	Description	Illustration	Price	Quantity	Price Group
41	2 910 141 197	Hex Socket Head Cap Screw DIN 912-M6x16-8.8	1	-,-	1	10
42	3 603 450 502	Hex Screw	1	-,-	1	14
43	2 916 201 004	Plain Washer DIN-6,4-ST	1	-,-	1	10
44	2 916 011 014	Plain Washer DIN 125-A 6,4-ST	1	-,-	1	10
45	2 910 611 029	Tapping Screw DIN 7971-BZ4,2x25	1	-,-	5	13
45	2 910 211 229	Tapping Screw DIN 7971-BZ4,2x25	1	-,-	5	12
46	2 910 611 424	Tapping Screw DIN 7981-ST4,2x9,5-F-H	1	-,-	1	10
46	2 910 211 024	Tapping Screw DIN 7971-BZ 4,2x9,5	1	-,-	1	-
47	2 910 611 012	Tapping Screw DIN 7981-ST3,5x16-C-H	1	-,-	2	12
47	2 910 211 212	Tapping Screw DIN 7971-B3,5x16-A2	1	-,-	2	10
48	2 910 281 196	Round-Head Bolt M6x15 DIN 603	1	-,-	1	11
49	3 603 415 563	Pan head screw	1	-,-	3	14
50	1 613 435 009	Tapping Screw ST-4,8x57,5-TORX,T20	1	-,-	2	11
51	2 603 435 042	Thread-forming tap. Screw	1	-,-	2	11
52	3 603 415 566	Set screw	1	-,-	1	14
53	2 917 765 095	Slotted Spring Pin DIN 1481-4x12	N/A	-,-	1	-
54	3 603 430 502	Socket head cap screw	1	-,-	2	13
55	3 603 434 501	Retaining Pin	1	-,-	1	-
56	3 601 016 507	Seal Ring	1	-,-	1	11
57	3 601 440 514	O-Ring	1	-,-	1	39
58	2 912 510 120	Knurled Thumbscrew DIN 653-M4x10-ST	1	-,-	2	17
59	2 912 510 197	Knurled Thumbscrew DIN 653 M6x16-ST	1	-,-	1	23
60	3 603 433 506	Socket head cap screw	1	-,-	4	13
61	3 603 415 553	Socket head cap screw	1	-,-	3	13
651	3 608 640 506	Circular Saw Blade	1	-,-	1	-
654	3 607 000 505	Riving Knife	1	-,-	1	-
655	3 607 000 545	Edge Guide	1	-,-	1	-
750/20	1 603 481 001	Handle BLACK	1	-,-	1	-
800	3 607 014 502	Carbon-Brush Set	1	-,-	1	26
801	3 605 108 556	Motor Housing BLUE	1	-,-	1	41
806	3 601 119 595	Nameplate	1	-,-	1	15
816	3 607 000 582	Parts Set	N/A	-,-	1	29
833	3 607 000 566	Parts Set	1	-,-	1	30
840	3 601 440 515	Assembly Of Service Parts	1	-,-	1	51

NO Lubrication instructions available for this product



Information subject to change without further notice.