



SERVICE PARTS LIST

BUL. 54-10-2021

1/2" ELECTRIC DRILL

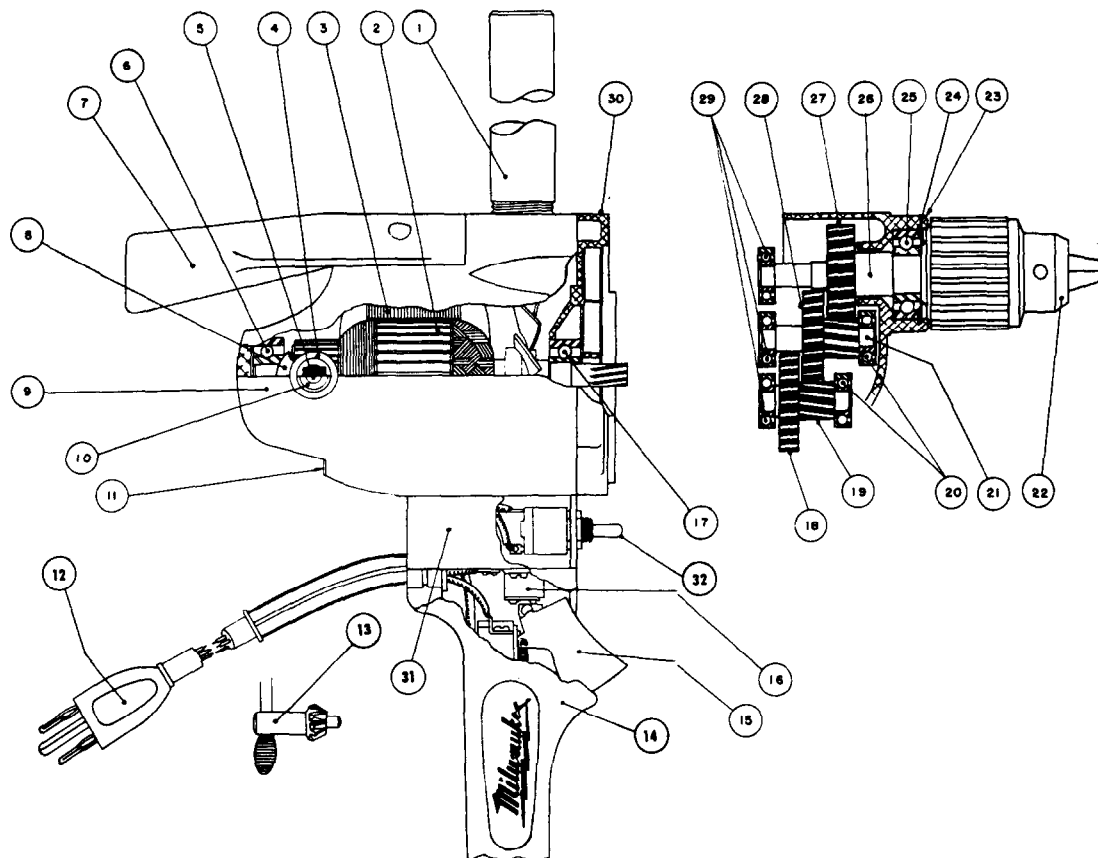
REVISED BUL 6142-2 DATE FEB. '68

Catalog No. 1650-1

Starting Serial No. 142-1633

WIRING INSTR.

Both Model and Serial No must be furnished to obtain correct parts.



ILLUSTRATED PARTS

FIG.	PART NO.	DESCRIPTION OF PART
1	43-62-0230	Pipe Handle
2	16-62-1011	Armature Assembly
3	18-62-1001	Field Assembly
★4	22-22-0120	Brush Holder Assembly
★5	22-18-0170	Carbon Brush Assembly
6	02-04-0970	Ball Bearing
★7	28-44-7041	Spade Handle
★8	23-86-0130	Brush Holder Washer
9	28-50-4641	Drill Body
10	23-44-0065	Brush Retaining Screw
11	44-66-0140	Air Intake Cover Plate
12	22-64-0170	Cord Set (3 wire - 3 prong plug)
13	48-66-3280	Chuck Key
14	28-44-9121	Switch Handle
15	23-66-0325	Switch
16	42-36-0180	Switch Bracket

FIG.	PART NO.	DESCRIPTION OF PART
17	02-04-1070	Ball Bearing
18	32-42-1221	1st Intermediate Gear
19	36-66-2201	1st Intermediate Pinion Shaft
(2) 20	02-04-0820	Ball Bearing
(2) 21	36-66-2251	2nd Inter. Pinion Shaft
22	48-66-1380	Chuck (5/8-16) (See Price Sheet)
23	28-14-0762	Gear Case
(2) 24	34-80-2500	Spindle Ball Brg. Retaining Ring
25	02-04-1650	Ball Bearing
(2) 26	38-50-2651	Spindle
27	32-75-1661	Spindle Gear
28	32-44-1161	2nd Intermediate Gear
29	02-04-0820	Ball Bearing
30	28-28-0701	Diaphragm
31	28-50-7081	Rev. Switch Housing
32	23-66-0198	Reverse Switch

MISCELLANEOUS PARTS NOT SHOWN

PART NO.	DESCRIPTION OF PART	PART NO.	DESCRIPTION OF PART
42-70-0060	Spade Handle Key Clip	06-81-8650	6-32x1/4" Rd. Hd. Sems Comm. Cover Plate Screws (2)
12-98-3700	Name Plate	06-81-8200	4-36x3/16" Rd. Hd. Name Plate Screws (2)
06-42-2000	Spindle Woodruff Key	06-83-2670	1/4"-20x1/2" Hd'less Brush Holder Set Screws (2)
06-42-0800	Int. Shaft Woodruff Key	06-81-8650	6-32x1/4" Rd. Hd. Sems Switch Bracket Screws (2)
06-81-7100	10-24x1-3/16" Fil. Hd. Sems Gear Case Scs. (2)	06-81-5800	6-32x5/16" Fil. Hd. Sems Switch Mounting Screws (2)
06-81-7200	10-24x1-7/16 Fil. Hd. Sems Gear Case Scs. (top) (2)	06-81-8600	6-32x3/16" Rd. Hd. Sems Key Clip Screws (2)
06-81-6700	8-32x1-7/8" Fil. Hd. Field Screws (2)		
06-81-1550	12-24x1-3/4" Fil. Hd. Switch Handle Screws (4)	45-30-0060	Ball Bearing Ret. Plug (3)
06-81-1550	12-24x1-3/4" Fil. Hd. Spade Handle Scs. (2)	42-68-0090	Lead Clamp
48-03-0010	Attach. Plug Adapter	06-81-8625	6-32x1/4" Rd. Hd. Brass Ground Screw (Sem)

Numbers in brackets indicate number required.