



SERVICE PARTS LIST

BULLETIN NO.
54-10-0546

SPECIFY CATALOG NO. AND SERIAL NO. WHEN ORDERING PARTS		REVISED BULLETIN 54-10-0545	DATE Jan. '83
1/2" ELECTRIC DRILL			
CATALOG NO. 1620-1		STARTING SERIAL NO. 343-32501	
WIRING INSTRUCTION 58-01-0536			
CAT. NO. 1620-6	START SER. NO. 343-32501	BILINGUAL LABEL 10-98-6400	

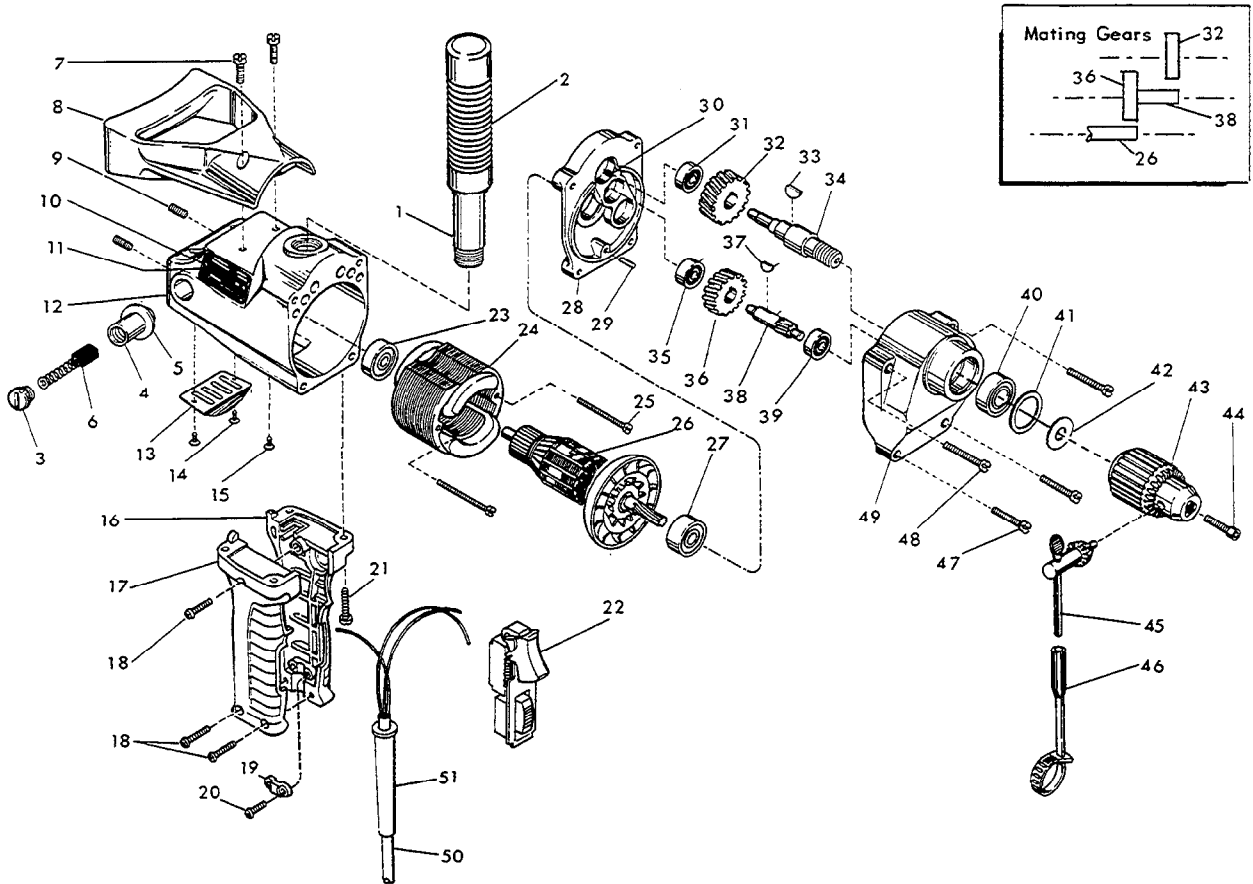


FIG.	PART NO.	DESCRIPTION OF PART	NO. REQ.	FIG.	PART NO.	DESCRIPTION OF PART	NO. REQ.
1	43-62-0230	Pipe Handle	(1)	27	02-04-1070	Ball Bearing	(1)
2	43-62-0242	Handle Grip	(1)	28	28-28-0621	Diaphragm (Includes Fig. Nos. 29 & 30)	(1)
3	23-44-0065	Brush Retaining Screw	(2)	29	06-65-0625	3/16x1/2 Groove Pin	(1)
4	22-22-1120	Brush Holder	(2)	30	45-30-0060	Bearing Retaining Slug	(2)
5	23-86-0130	Fiber Washer	(2)	31	02-04-0820	Ball Bearing	(1)
6	22-18-0170	Carbon Brush	(2)	32	32-75-2101	Spindle Gear	(1)
7	06-81-4213	12-24x5/8 Phillips Pan Hd. Screw	(2)	33	06-42-2000	Woodruff Key	(1)
8	31-44-1000	Spade Handle	(1)	34	38-50-2661	Spindle	(1)
9	06-83-2670	1/4-20x1/2 Knrl. Set Screw	(2)	35	02-04-0820	Ball Bearing	(1)
10	06-85-0200	6x1/4 Nameplate Screw	(2)	36	32-40-1261	Intermediate Gear	(1)
11	12-99-0010	Nameplate Blank	(1)	37	06-42-1200	Woodruff Key	(1)
12	28-50-4646	Motor Housing	(1)	38	36-66-3101	Intermediate Shaft	(1)
13	44-56-0140	Cover Plate	(1)	39	02-04-0820	Ball Bearing	(1)
14	06-81-8650	6-32x1/4 Rd. Hd. Sem	(2)	40	02-04-1650	Ball Bearing	(1)
15	06-81-8625	6-32x1/4 Ground Screw	(1)	41	34-80-2500	Retaining Ring	(1)
★16	31-44-1295	Left Handle Half	(1)	42	45-88-0330	Chuck Spacer Washer	(1)
★17	31-44-1290	Right Handle Half	(1)	43	48-66-1380	1/2" Rev. Chuck (Includes Fig. No. 45)	(1)
★18	06-95-0219	8-16 x 7/8" Plastite Screw	(3)	44	06-75-3150	1/4-20x1 Skt. Cap Screw L.H. Thread	(1)
★19	31-17-0155	Cord Clamp	(1)	45	48-66-3280	Chuck Key	(1)
★20	06-95-0216	8-16 x 5/8" Plastite Screw	(2)	46	48-66-4040	Key Holder	(1)
21	06-81-7550	12-24x3/4 Fil. Hd. Sem	(4)	47	06-81-7450	10-32x1-3/16 Fil. Hd. Sem	(2)
22	23-66-0581	Reversing Switch	(1)	48	06-81-7460	10-32x1-7/16 Fil. Hd. Sem	(2)
23	02-04-0970	Ball Bearing	(1)	49	28-14-0721	Gear Case	(1)
24	18-62-1120	120 Volt Field	(1)	★50	22-64-0121	Cord Set	(1)
25	06-81-6700	8-32x1-7/8 Fil. Hd. Sem	(2)	★51	44-76-0150	Cord Protector	(1)
26	16-62-1141	120 Volt Armature	(1)	52	10-98-5987	Caution Label (Not Shown) Omit For Canadian Tools	(1)

MILWAUKEE ELECTRIC TOOL CORPORATION
13135 W. LISBON RD., BROOKFIELD, WIS. 53005