



# SERVICE PARTS LIST

BUL. 54-10-0530

## 1/2" ELECTRIC DRILL

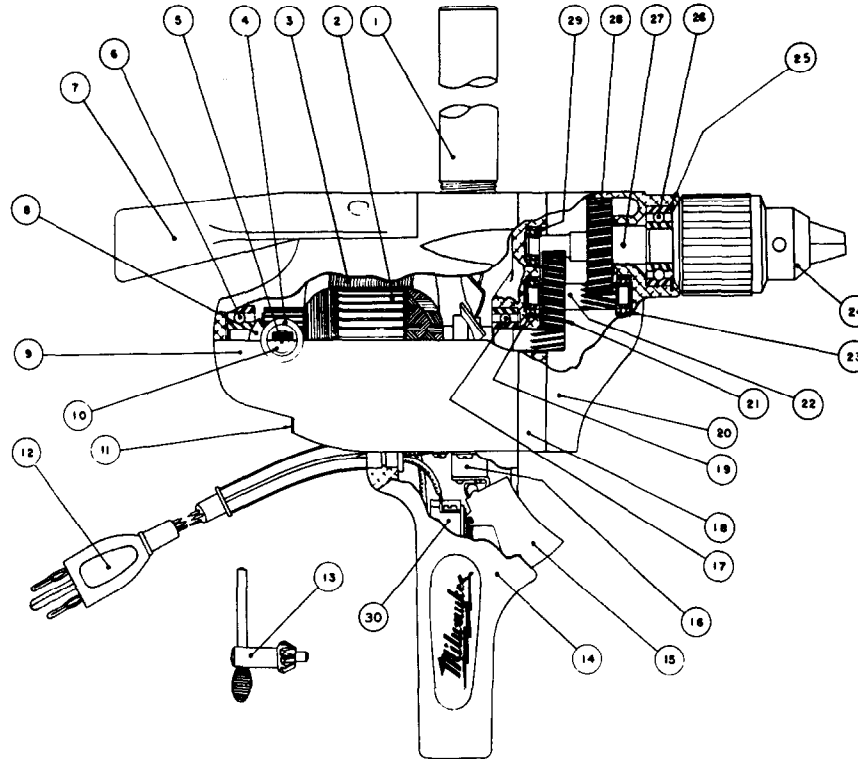
REVISED BUL 6341-1      DATE Feb. '68

Catalog No. 1620

Starting Serial No. 341-1001

WIRING INSTR. 58-01-0500

Both Model and Serial No. must be furnished to obtain correct parts.



### ILLUSTRATED PARTS

FIG.	PART NO.	DESCRIPTION OF PART	FIG.	PART NO.	DESCRIPTION OF PART	
1	43-62-0230	Pipe Handle	16	42-36-0180	Switch Bracket	
2	16-62-1000	Armature Assembly	17	02-04-1070	Ball Bearing	
3	18-62-1000	Field Assembly	18	28-28-0621	Diaphragm	
4	22-22-0120	Brush Holder Assembly	(2)	19	02-04-0820	Ball Bearing
5	22-18-0170	Carbon Brush Assembly	(2)	20	28-14-0721	Gear Case
6	02-04-0970	Ball Bearing	21	32-40-1261	Intermediate Gear	
7	28-44-7041	Spade Handle	22	36-66-3101	Intermediate Shaft	
8	23-86-0130	Brush Holder Washer	(2)	23	02-04-0820	Ball Bearing
9	28-50-4644	Body	24	48-66-1280	Chuck (1/2-20 Thread)	
10	23-44-0065	Brush Retaining Screw	(2)	25	34-80-2500	Spindle Ball Bearing Retaining Ring
11	44-66-0140	Air Intake Cover Plate	26	02-04-1560	Ball Bearing	
12	22-64-0170	Cord Set (3 Wire - 3-Prong Plug)	27	38-50-2601	Spindle	
13	48-66-3280	Chuck Key	28	32-75-2101	Spindle Gear	
14	28-44-9121	Switch Handle	29	02-04-0820	Ball Bearing	
*15	23-66-0190	Switch	30	23-16-0050	Switch Cover Insulator	

### MISCELLANEOUS PARTS NOT SHOWN

PART NO.	DESCRIPTION OF PART	PART NO.	DESCRIPTION OF PART
42-70-0060	Spade Handle Key Clip	06-81-8650	6-32x1/4 Rd.Hd. Sems Comm. Cover Plate Scs. (2)
12-98-3725	Name Plate	06-81-8200	4-36x3/16 Rd.Hd. Name Plate Screws (2)
06-42-2000	Spindle Woodruff Key	06-83-2670	1/4-20x1/2 Hd'less Brush Holder Set Screws (2)
06-42-1200	Intermediate Shaft Woodruff Key	06-81-8650	6-32x1/4 Rd.Hd. Sems Switch Bracket Screws (2)
06-81-7100	10-24x1-3/16 Fil.Hd. Sems Gear Case Screws (2)	06-81-5800	6-32x5/16 Fil.Hd. Sems Switch Mounting Scs. (2)
06-81-7200	10-24x1-7/16 Fil.Hd. Sems Gear Case Scs.(top)(2)	*06-81-8650	6-32x1/4 Rd.Hd. Sems Key Clip Screws (2)
*06-81-6700	8-32x1-7/8 Field Sems Screws Fil. Hd. (2)	45-30-0060	Ball Bearing Retaining Plug (2)
*06-81-7500	12-24x5/8 Fil.Hd. Sems Switch Handle Screws(4)	06-81-8625	6-32x1/4 Rd.Hd. Brass Ground Screw
06-81-7500	12-24x5/8 Fil.Hd. Sems Spade Handle Screws (2)	*48-03-0010	Plug Adaptor
*06-97-1800	Lock Washers (4)		