

## Router - 0 601 613 034 - 1613

www.powertools-aftersaleservice.com



**BOSCH**

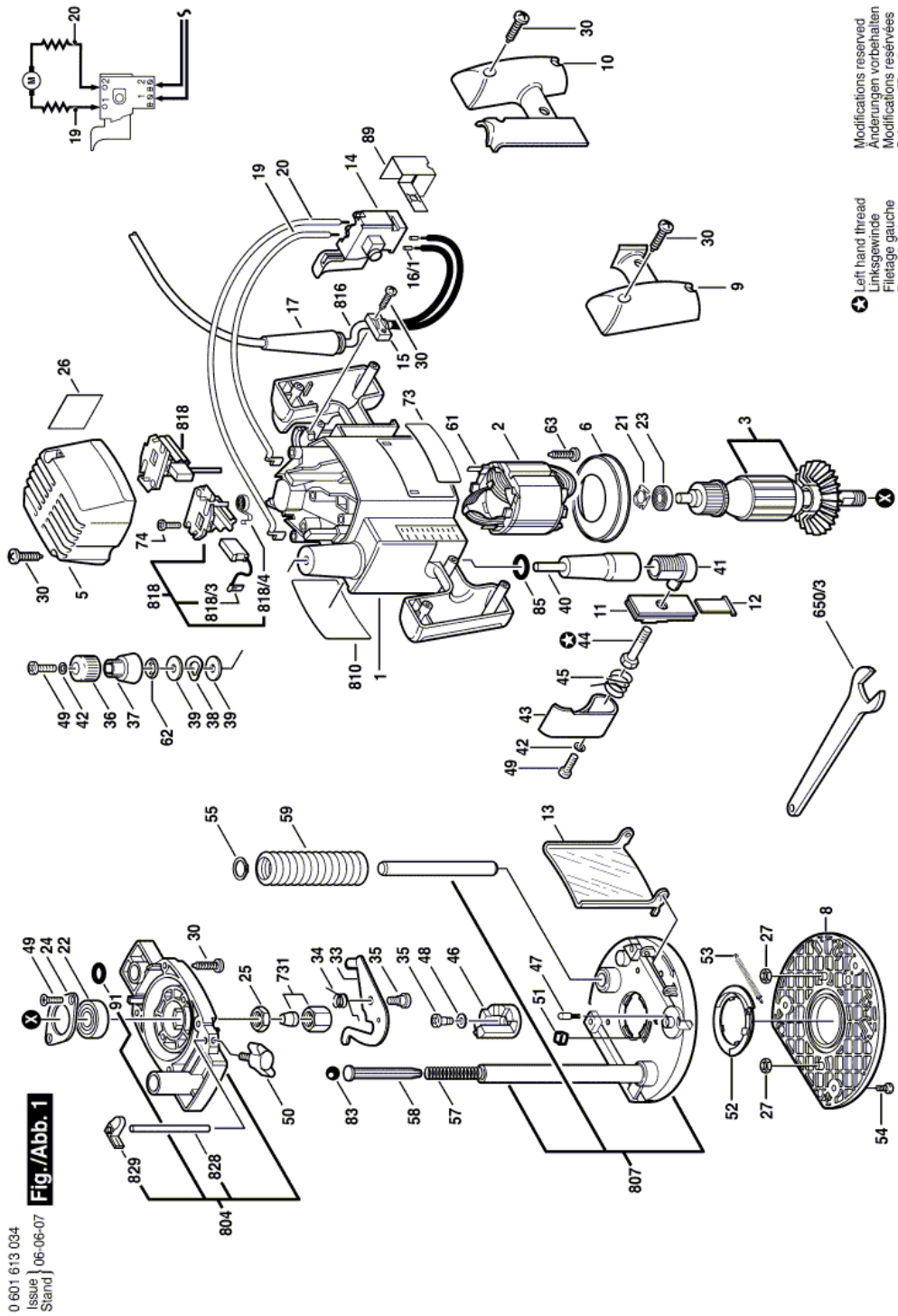
Item	Part Number	Description	Illustration	Price	Quantity	Price Group
	1 3 605 108 583	Motor Housing BLUE	1	-,-	1	33
	2 2 610 934 199	Field 120V	1	-,-	1	45
	3 2 610 934 197	Armature 120V	1	-,-	1	51
	5 3 605 500 597	Housing Cover	1	-,-	1	22
	6 3 600 590 508	Air-Deflector Ring	1	-,-	1	15
	8 3 600 190 521	Intermediate Plate	1	-,-	1	29
	9 3 605 133 531	Handle Cover LT	1	-,-	1	22
	10 3 605 133 530	Handle Cover RT	1	-,-	1	22
	11 3 601 010 519	Cover	1	-,-	1	14
	12 3 601 010 521	Insert	1	-,-	1	14
	13 2 610 912 599	Chip Deflector	1	-,-	1	20
	14 2 607 200 251	On-Off Switch	1	-,-	1	23
	15 2 601 035 001	Cable Clip	1	-,-	1	11
	16/1 3 604 477 009	End Splice	1	-,-	2	10
	17 3 600 703 512	Grommet Ø 8,4 MM	1	-,-	1	15
	19 3 604 445 518	Connecting Cable	1	-,-	1	15
	20 3 604 445 519	Connecting Cable	1	-,-	1	15
	21 3 600 150 501	Spring Lock Washer	1	-,-	1	13
	22 3 600 905 512	Deep-Groove Ball Bearing	1	-,-	1	27
	23 3 600 905 513	Deep-Groove Ball Bearing	1	-,-	1	24
	24 3 600 034 506	Retaining Plate	1	-,-	1	15
	25 3 603 300 502	Hex Nut	1	-,-	1	17
	26 3 601 007 504	Insulator	1	-,-	2	14
	27 2 915 011 005	Hex Nut DIN 934 -M4-m-8	1	-,-	2	10
	30 2 610 910 566	Tapping Screw	1	-,-	15	11
	33 3 601 021 510	Swing-Plate	1	-,-	1	18
	34 3 604 651 502	Torsion Spring	1	-,-	1	13
	35 3 603 415 556	Pan head screw M4	1	-,-	3	13
	36 3 603 231 539	Knob	1	-,-	1	13
	37 3 600 209 500	Indicator Ring	1	-,-	3	16
	38 3 600 100 528	Spring Washer	1	-,-	1	12
	39 3 600 100 527	Washer	1	-,-	2	14
	40 3 600 360 507	Adjusting Sleeve	1	-,-	1	24

Item	Part Number	Description	Illustration	Price	Quantity	Price Group
41	3 600 400 507	Locking Piece		1	-,-	1 17
42	2 916 690 003	Spring Lock Washer DIN 128-A4-FST		1	-,-	2 10
43	3 602 000 510	Locking Lever		1	-,-	1 13
44	3 603 450 504	Lock Bolt		1	-,-	1 17
45	3 604 651 503	Compression Spring		1	-,-	1 13
46	3 600 232 503	Depth-Gauge		1	-,-	1 24
47	2 600 590 006	Ratchet Cap		1	-,-	1 11
48	3 916 060 500	Spring Washer		1	-,-	1 10
49	2 910 641 122	Oval-Head Screw DIN 7985-M4X12-4.8-H		1	-,-	4 13
50	1 613 480 008	Wing Screw M6x20 MM		1	-,-	1 11
51	3 603 211 501	Knob		1	-,-	1 13
52	3 600 240 500	Locking Ring		1	-,-	1 16
53	3 604 648 504	Extension Spring		1	-,-	1 14
54	2 610 915 161	Screw		1	-,-	3 15
55	2 916 650 003	Spring retaining ring DIN 471-12x1-FSt		1	-,-	1 10
57	3 604 613 508	Compression Spring		1	-,-	1 13
58	3 603 120 502	Guide Piece		1	-,-	1 14
59	3 605 510 548	Bellows		1	-,-	2 18
61	1 604 477 005	Blade terminal		1	-,-	2 11
62	3 604 680 502	Retaining snap ring		1	-,-	1 13
63	2 610 991 306	Tapping Screw		1	-,-	2 11
73	2 610 906 950	Nameplate		1	-,-	1 15
74	2 603 490 017	Torx Oval-Head Screw 3x10		1	-,-	4 10
83	1 903 230 007	Ball DIN 5401-4 MM-III-ST		1	-,-	1 10
85	3 600 210 507	O-Ring		1	-,-	1 13
89	2 610 996 090	Set ring		1	-,-	1 11
91	1 610 210 233	O-Ring 12,0x2,0 MM		1	-,-	1 10
650/3	2 610 992 417	Single-Head Eng. Wrench		1	-,-	1 27
731	2 610 001 496	Assembly 1/2"		1	-,-	1 28
731	2 610 018 974	Collet 3/8"		1	-,-	1 37
731	2 610 956 672	Assembly 1/4"		1	-,-	1 -
804	2 610 907 863	Fan Housing		1	-,-	1 36
807	3 605 702 598	Base Plate		1	-,-	1 43
810	3 601 119 779	Nameplate		1	-,-	1 -
816	3 604 460 514	Power supply cord USA/CDN 3,275m 2 x 1,32mm SJ 16/2		1	-,-	1 28
818	3 604 336 506	Brush Holder		1	-,-	1 28
818/3	2 610 007 957	Carbon-Brush Set		1	-,-	1 23
818/4	3 604 652 501	Spiral Spring		1	-,-	1 15
828	2 610 907 864	Rod		1	-,-	1 23
829	2 610 907 865	Pointer		1	-,-	1 22

## Product information Router - 0 601 613 034 - 1613

Product No	0 601 613 034
Description	251.577; Router
DIN-Text	
ID_Text_Ext	0
Trading_Description	1613
Voltage_1	115 V
ID_Country_Product	USA

Illustration - Type E



Information subject to change without further notice.