

# 8" JOINTER

## Model 60B

Instruction Manual & Parts List

M-0460282



# **POWERMATIC<sup>®</sup>**

(800) 274-6848  
[www.powermatic.com](http://www.powermatic.com)

Machine will not start, or repeatedly trips breaker or blows fuses.	7. Motor failure.	7. Have motor tested. Repair or replace as necessary.
	8. On/off switch failure.	8. Have switch tested. Repair or replace as necessary.

---

Motor overheats.	1. Motor overloaded.	1. Reduce load on motor.
	2. Air flow through motor is blocked.	2. Clean out dust and chips from motor.

---

Machine slows down during operation.	1. Feed rate too high.	1. Feed workpiece more slowly.
	2. Excessive depth of cut .	2. Reduce depth of cut.
	3. Dull knives.	3. Sharpen or replace knives.

---

Board thickness does not match depth of cut scale.	1. Depth of cut scale incorrect.	1. Adjust scale correctly.
--	----------------------------------	----------------------------

---

Finished stock is concave on the end.	1. Knife tip is higher than outfeed table.	1. Raise outfeed table until it is on the same level with tip of knife.
---------------------------------------	--	---

---

Back end of stock is thicker than front end.	1. Knife tip not level with outfeed table.	1. Adjust outfeed table to align with knife tip.
--	--	--

---

Stock has slight bevel after edge jointing.	1. Fence not perpendicular to table.	1. Square up fence with table.
---	--------------------------------------	--------------------------------

---

Rough or torn grain.	1. Dull knives.	1. Sharpen or replace.
	2. Knives cutting against grain.	2. Cut with the grain.
	3. Moisture content of wood too high.	3. Use different wood.

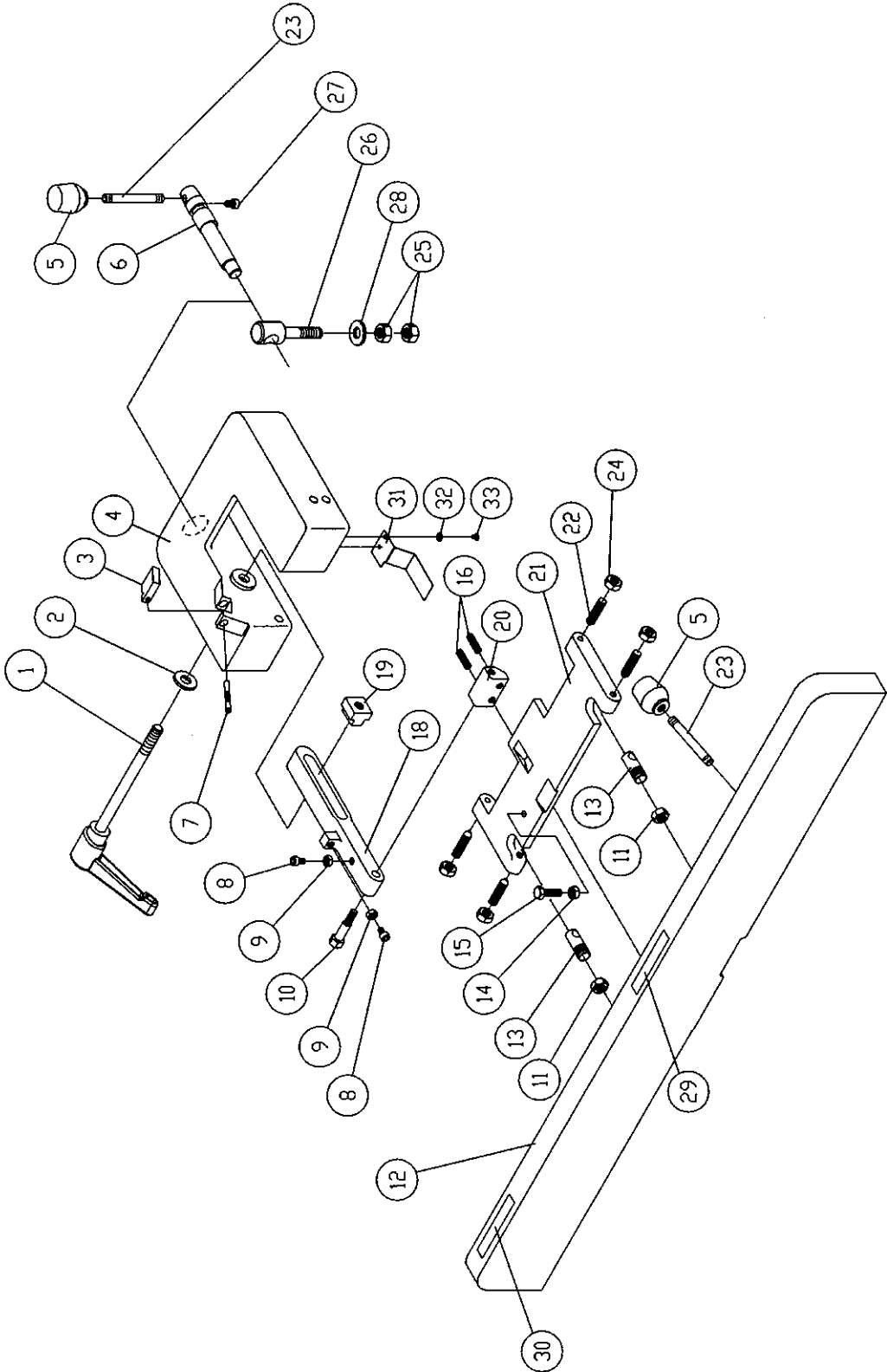
## OPTIONAL ACCESSORIES for 60B Jointer

2042376 ..... Mobile Base  
6427002 ..... Knives (set of 3)  
6285917 ..... Push Block

## PARTS LIST: Fence Assembly (60B Jointer)

Index No.	Part No.	Description	Size	Qty.
	60B-100	Fence Assembly (Items 1 thru 33)		1
1	6296143	Locking Bolt		1
2	6296066	Flat Washer	1/2"x1-1/8"D	1
3	6296067	Stop Block		1
4	60B-104	Fence Bracket		1
5	6285945	Knob		2
6	6296069	Locking Shaft		1
7	6296070	Pin	5mmx50mm	1
8	6296071	Cap Screw	1/4"-20x1-1/4"	2
9	6296072	Hex Nut	1/4"-20	2
10	6296073	Screw		1
11	6285940	Hex Nut	1/2"-20	2
12	60B-112	Fence Body		1
13	6296076	Bolt		2
14	6285966	Hex Nut	5/16"-18	1
15	6296077	Hex Screw	5/16"-18x1-1/4"	1
16	TS-0207061	Socket Head Cap Screw	1/4"-20x1"	2
18	6296080	Locking Link		1
19	6296081	Nut		1
20	60B-120	Fixed Block		1
21	6296082	Fence Link		1
22	6285942	Cone Point Screw		4
23	6285944	Handle Stud		2
24	6285943	Hex Nut	3/8"-16	4
25	6296083	Hex Nut	1/2"-12	2
26	6296084	Bolt		1
27	6296085	Cap Screw	1/4"-20x1/2"	1
28	TS-0680061	Flat Washer	1/2"x1-1/4"	1
29	60B-129	Caution Label (Hands Clear)		1
30	60B-130	Caution Label (Setting Knives)		1
31	60B-131	Safety Plate		1
32	TS-0680021	Flat Washer	1/4"	2
33	TS-0245021	Flat Head Screw	1/4"-20x1/2"	2

# Fence Assembly (60B Jointer)



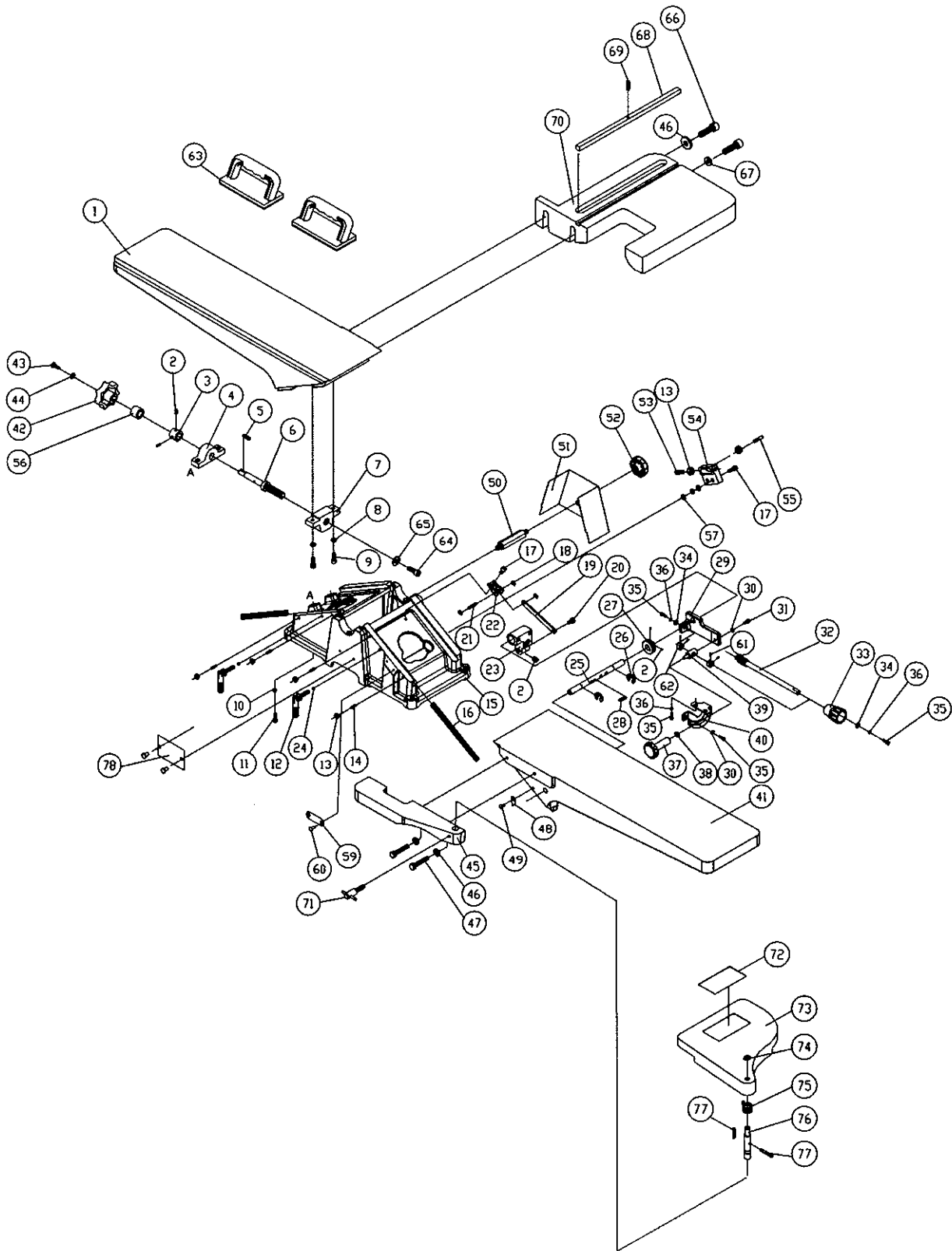
## PARTS LIST: **Base Assembly (60B Jointer)**

Index No.	Part No.	Description	Size	Qty.
.....	2365022	Jointer Base Assembly (Items 1 thru 78 and fence and cutterhead assys.)		1
1	6296000	Rear Table		1
2	6285865	Set Screw	1/4"-20x3/8"	6
3	6296001	Collar		1
4	6296002	Bracket		1
5	6296003	Key	5x5x12	1
6	6296004	Lead Screw		1
7	6296005	Bracket		1
8	6285852	Lock Washer	3/8"	2
9	6296007	Cap Screw	3/8"-16x1-1/4"	2
10	6296162	Lock Washer	1/2"	2
11	6296009	Cap Screw	1/2"-12NCx1-1/2"	2
12	6296010	Bolt		2
13	6285966	Hex Nut	5/16"-18	9
14	6296011	Set Screw	1/4"-20x1"	6
15	60B-215	Base		1
16	6296013	Gib		2
17	TS-0208041	Socket Head Cap Screw	5/16"-18x3/4"	3
18	6296015	Retaining Ring	ETW-6	3
19	6296132	Bar		1
20	6296016	Bolt		1
21	6296017	Shaft		1
22	6296018	Lock Bracket		1
23	6296019	Bracket		1
24	6296020	Ball		2
25	6296021	Shaft		1
26	6296022	Retaining Ring	ETW-12	2
27	6296023	Worm		1
28	6296024	Key	5x5x20	1
29	6296025	Adjusting Base		1
30	6296160	Flat Washer	1/4"	1
31	6296027	Hex Head Bolt	1/4"-20x3/4"	1
32	6296029	Worm Shaft		1
33	6296028	Handle		1
34	6296161	Flat Washer	1/4"	2
35	6296031	Cap Screw	1/4"-20x1/2"	6
36	6296163	Lock Washer	1/4"	5
37	6296033	Clamp Knob		1
38	6296164	Flat Washer	1/2"	1
39	6296035	Lock Plate		1
40	6296036	Plate		1
41	60B-241	Front Table		1
42	6296038	Handwheel		1
43	6296039	Pan Head Screw	5/16"-18x1/2"	1
44	6296165	Flat Washer	3/8"	1
45	60B-245	Rabbeting Ledge		1
46	6296042	Flat Washer		3
47	TS-0060051	Hex Head Bolt	3/8"-16x1	2

**PARTS LIST: Base Assembly (60B Jointer)** continued

<b>Index No.</b>	<b>Part No.</b>	<b>Description</b>	<b>Size</b>	<b>Qty.</b>
48	6096044	Pointer		1
49	6296045	Pan Head Screw	#8-32x1/4"	1
50	6296056	Bolt		1
51	6296057	Belt Guard		1
52	6296058	Knob		1
53	TS-0270091	Set Screw	5/16"-18x1"	2
54	6296061	Set Block		1
55	6296062	Bolt		1
56	6296063	Collar		1
57	6296166	Flat Washer	5/16"	6
59	6296167	Depth Scale		1
60	VS020500	Rivet	2x5	4
61	6296152	Set Screw	1/4"-20x1/4"	4
62	6296151	Collar		2
63	6285917	Push Block		1
64	6296168	Cap Screw	5/16"-18x1/2"	1
65	6296166	Flat Washer	5/16"x3/4"D	2
66	6285931	Cap Screw	3/8"-16x1-1/2"	2
67	TS-1550071	Flat Washer	3/8"x3/4"D	1
68	6296089	Key	9.5mmx273mm	1
69	6296088	Spring Pin	4x14	1
70	6296086	Base Slide		1
71	60B-271	Stop Handle		1
	60B-270	Cutterhead Guard Assembly (Items 72 thru 77)		1
72	60B-272	Warning Label		1
73	60B-273	Cutterhead Guard		1
74	JSG96-223	Retaining Ring	STW-11	1
75	60B-275	Spring		1
76	60B-276	Shaft		1
77	60B-277	Spring Pin	6x36	2
78	60B-278	I.D. Label	1Ph	1
	60B-278A	I.D. Label	3Ph	1

# Base Assembly (60B Jointer)

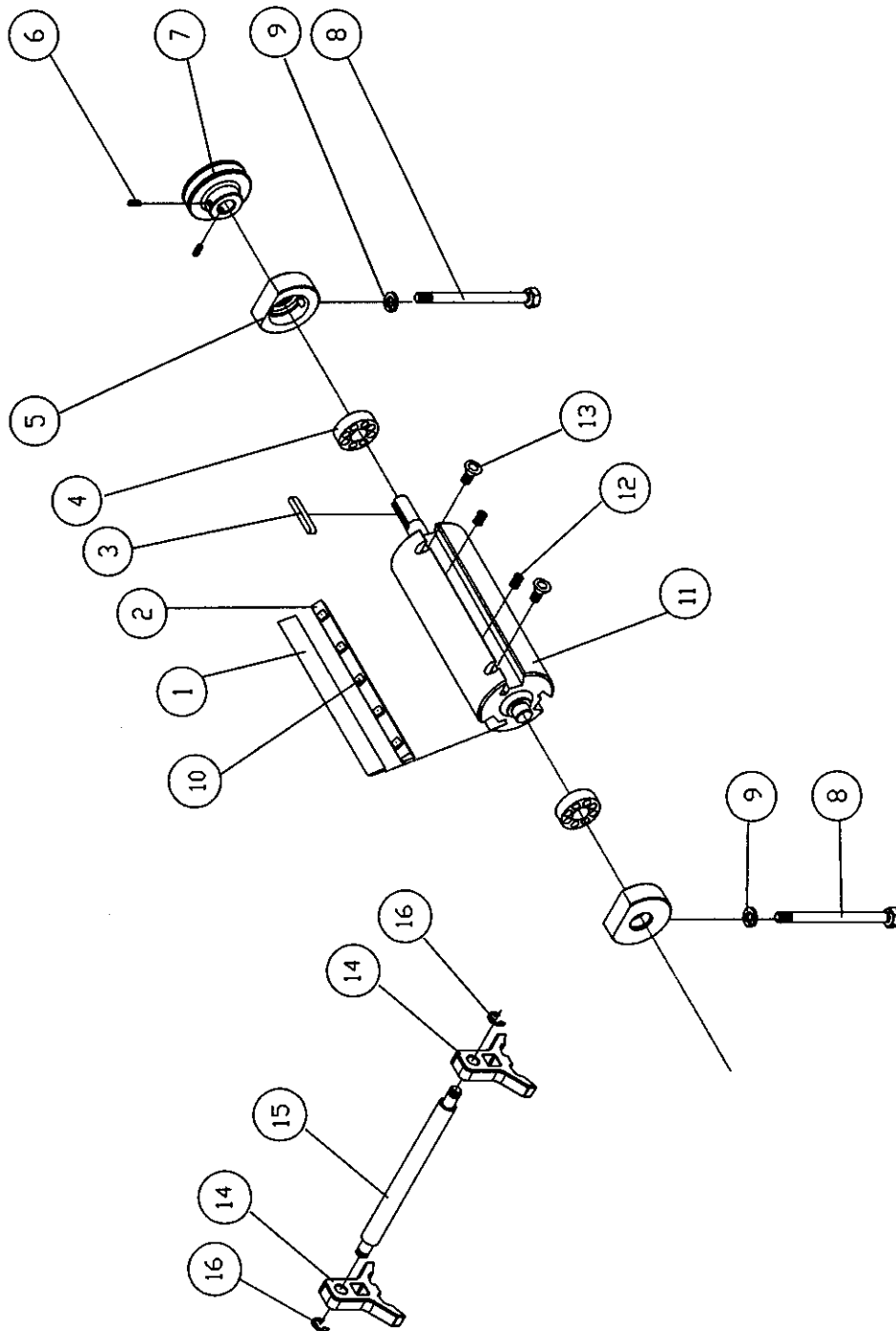


## PARTS LIST: Cutterhead Assembly (60B Jointer)

Index No.	Part No.	Description	Size	Qty.
	60B-300	Cutterhead Assembly (Items 1 thru 5, and 10 thru 13)		1
1	6296046	Knife		3
2	6296153	Knife Gib		3
3	6296048	Key	5x5x25	1
4	6296049	Ball Bearing	6203-2NSE	2
5	6296050	Bearing Housing		2
6	6296152	Set Screw	1/4"-20x1/4"	2
7	6296051	Pulley		1
8	6285853	Bolt		2
9	6285852	Lock Washer	3/8"	2
10	6296154	Square Head Screw		15
11	6296053	Cutterhead		1
12	6296054	Spring		6
13	6296055	Flat Head Screw	M5-0.8Px12	6
	60B-301	Knife Setting Gauge Assembly (Items 14, 15, 16)		1
14	6296155	Knife Guard		2
15	6296156	Knife Guard Rod		1
16	6296157	E-Clip	ETW-6	2



# Cutterhead Assembly (60B Jointer)



## PARTS LIST: Stand Assembly (60B Jointer)

Index No.	Part No.	Description	Size	Qty.
	2365021	Stand Assembly (Items 1 thru 47)	2HP, 1Ph, 230V	1
	2365023	Stand Assembly (Items 1 thru 47)	3HP, 3Ph, 230/460V	1
1	60B-401	Stand		1
2	60B-402	Door		1
3	60B-403	Lock Bolt	3/8"-16x2-3/8"	3
4	TS-1550071	Flat Washer	3/8"	6
5	TS-1534042	Pan Head Screw	M6x12	2
6	TS-1550021	Flat Washer	M6	2
7	6285975	Screw Knob		1
8	6285976	Door Lock		1
9	6285977	Hex Nut	3/8"-16	1
10	60B-410	Carriage Bolt	5/16"-18x3/4"	4
11	6285805	Flat Washer	5/16"	4
12	60B-412	V-Belt	A-44	1
13	60B-413	Motor Pulley		1
14	6296152	Set Screw	1/4"-20x1/4"	2
15	60B-415	Motor	2HP, 1Ph, 230V	1
	60B-415MF	Motor Fan (not shown)		1
	60B-415MFC	Motor Fan Cover (not shown)		1
	60B-415CS	Centrifugal Switch (not shown)		1
	60B-415MDC	Motor Dustproof Cover (not shown)		1
	60B-415CC	Capacitor Cover (not shown)		2
	60B-415SC	Starting Capacitor (not shown)	400MFD, 125VAC	1
	60B-415RC	Running Capacitor (not shown)	30uf, 350VAC	1
	60B-415A	Motor	3HP, 3Ph, 230/460V	1
16	6285988	Lock Washer	5/16"	4
17	6285966	Hex Nut	5/16"-18	1
18	60B-418	Motor Cord	1Ph	1
	60B-418A	Motor Cord	3Ph	1
19	60B-419	Start Switch		1
20	60B-420	Stop Switch		1
21	60B-421	Power Cord	1PH	1
	60B-421A	Power Cord	3PH	1
22	60B-422	Strain Relief		1
23	6285909	Flat Washer	1/4"	4
24	6285910	Pan Head Screw	1/4"-20x1/2"	4
25	60B-425	Dust Chute		1
26	6285978	Key	5x5xx30	1
27	60B-427	Switch Cord		1
28	60B-428	Magnetic Switch	1PH	1
	60B-428CS	Contactors Switch		1
	60B-428OR	Overload Relays		1
	60B-428A	Magnetic Switch	3PH	1
	60B-428ACS	Contactors Switch		1
	60B-428AOR	Overload Relays		1
	60B-428AT	Transformer		1
	60B-428AF	Fuse		1
29	60B-429	Switch Box		1
30	TS-1533052	Pan Head Screw	M5-0.8Px16	2
31	TS-1550031	Flat Washer	5.3x12x1T	2
32	TS-1540031	Hex Nut	M5x0.8P	2

**PARTS LIST: Stand Assembly (60B Jointer)** continued

<b>Index No.</b>	<b>Part No.</b>	<b>Description</b>	<b>Size</b>	<b>Qty.</b>
33	TS-081C062	Pan Head Screw	#10-24x1"	1
34	6860800	Flat Washer	#10	1
35	TS-073203	Star Washer		2
36	6510001	Hex Nut	#10-24	2
37	3312341	Powermatic Logo		1
38	6296150	Warning Label		1
39	6823013	Stripe		8 ft.
40	60B-440	Strain Relief		1
	60B-440A	Strain Relief		1
41	60B-441	Motor Label		1
	60B-441A	Motor Label		1
42	6285852	Lock Washer	3/8"	3
43	6285943	Hex Nut	3/8"-16	3
44	60B-444	Strain Relief		3
	60B-444A	Strain Relief		3
45	TS-081C022	Pan Head Screw	#10-24x3/8"	2
47	60B-447	Strain Relief		1
	60B-447A	Strain Relief		1
48	60B-448	Switch Plate		1
49	TS-1533042	Phillips Pan Head Machine Screw	M5x0.8x12	1

# Stand Assembly (60B Jointer)

