

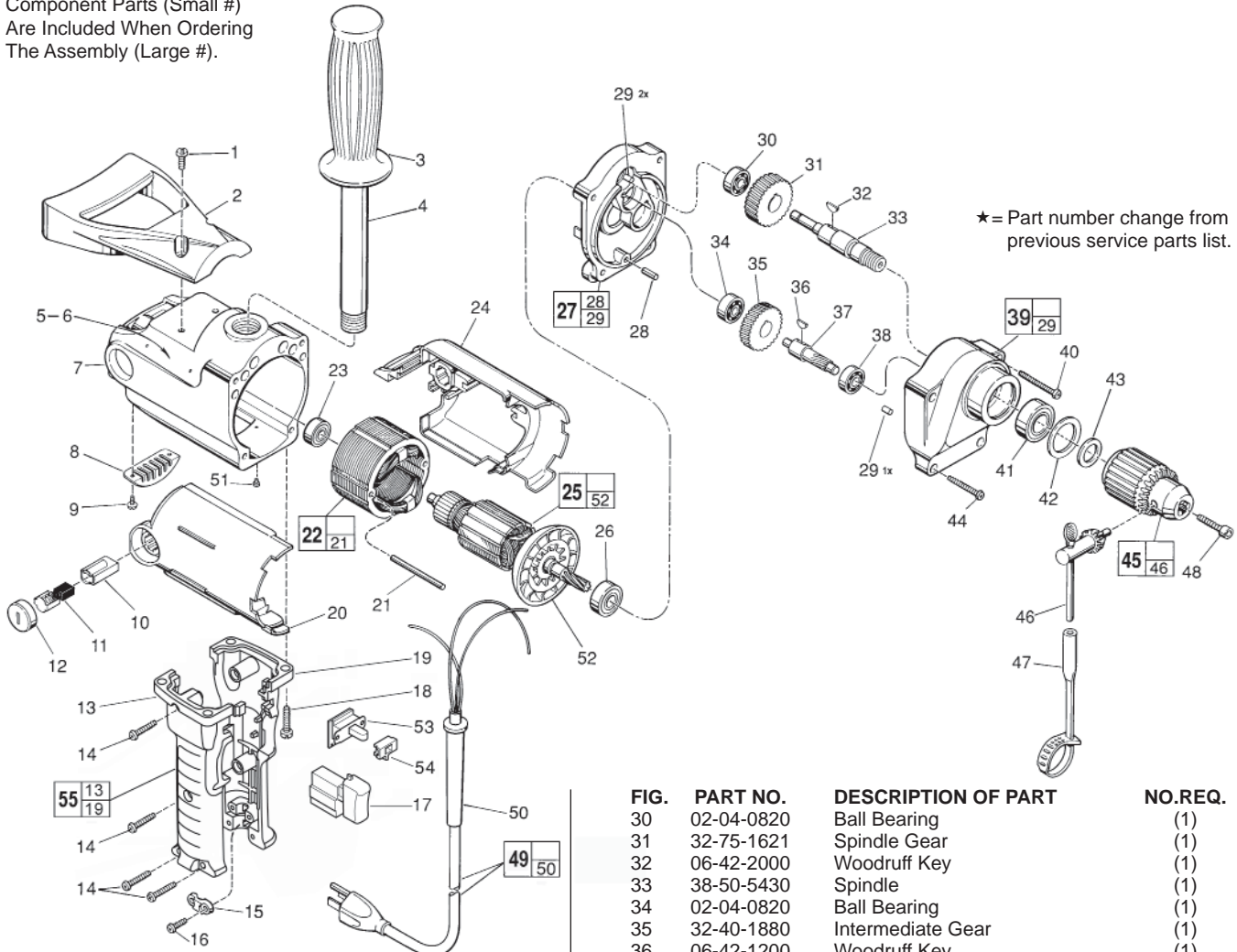


# SERVICE PARTS LIST

**BULLETIN NO.**  
**54-10-0107**

<b>SPECIFY CATALOG NO. AND SERIAL NO. WHEN ORDERING PARTS</b>		REVISED BULLETIN	DATE
<b>1/2" REVERSING COMPACT DRILL</b>		54-10-0106	Feb. 2012
<b>CATALOG NO.</b>	<b>1610-1</b>	WIRING INSTRUCTION	
<b>STARTING SERIAL NO.</b>	<b>700C</b>	<b>58-01-0537</b>	

**EXAMPLE:**  
00 0 Component Parts (Small #)  
Are Included When Ordering  
The Assembly (Large #).



★ = Part number change from previous service parts list.

FIG.	PART NO.	DESCRIPTION OF PART	NO.REQ.
1	06-82-8908	12-24 x 3/4" Pan Hd. Slit. Tapt. T-27	(2)
2	31-44-1550	Spade Handle	(1)
3	43-62-0246	Handle Grip	(1)
4	43-62-0122	Pipe Handle	(1)
5	12-99-3150	Nameplate Blank	(1)
★ 6	06-95-0500	4-40 x 5/16" Tapt. Stick Screw	(2)
7	26-50-6300	Motor Housing	(1)
8	44-66-5510	Cover Plate	(1)
9	06-82-5270	6-32 x 1/4" Pan Hd. Slit. Tapt. T-15	(2)
10	22-20-0660	Brush Tube	(2)
11	22-18-0680	Carbon Brush Assembly	(2)
12	23-44-0210	Brush Retaining Screw	(2)
★ 13	-----	Right Hand Handle Half	(1)
★ 14	06-82-7326	8-16 x 1" Plastite T-20 Screw	(4)
15	31-17-0155	Cord Clamp	(1)
16	06-82-7270	8-16 x 5/8" Slit. Pan Hd. Plast. T-20	(2)
★ 17	23-66-0115	On-Off Switch	(1)
18	06-82-5382	1/4-20 x 3/4" Pan Hd. Slit. Taptite T-27	(4)
★ 19	-----	Left Hand Handle Half	(1)
20	23-16-1275	Motor Insulator Right Half	(1)
21	06-65-1230	Grooved Pin	(2)
22	18-50-0050	120 V. Field	(1)
23	02-04-0847	Ball Bearing	(1)
24	23-16-1276	Motor Insulator - Left Half	(1)
25	16-50-1050	120 V. Armature	(1)
26	02-04-1050	Ball Bearing	(1)
27	28-28-1660	Diaphragm Assembly	(1)
28	06-65-0625	3/16 x 1/2" Groove Pin	(1)
29	45-30-0060	Bearing Retaining Slug	(3)

FIG.	PART NO.	DESCRIPTION OF PART	NO.REQ.
30	02-04-0820	Ball Bearing	(1)
31	32-75-1621	Spindle Gear	(1)
32	06-42-2000	Woodruff Key	(1)
33	38-50-5430	Spindle	(1)
34	02-04-0820	Ball Bearing	(1)
35	32-40-1880	Intermediate Gear	(1)
36	06-42-1200	Woodruff Key	(1)
37	36-66-2051	Intermediate Shaft	(1)
38	02-04-0820	Ball Bearing	(1)
39	28-14-1705	Gear Case Assembly	(1)
40	06-82-7784	10-24 x 1-7/16" Tapt. T-27	(2)
41	02-04-1567	Ball Bearing	(1)
42	34-80-2500	Retaining Ring	(1)
43	45-88-0330	Chuck Washer	(1)
44	06-82-7752	10-24 x 1-3/16" Taptite Sem.T-27	(2)
45	48-66-1381	1/2" Reversing Chuck	(1)
46	48-66-3280	Chuck Key	(1)
47	48-66-4040	Key Holder	(1)
48	06-75-3150	1/4-20 x 1" L.H. Skt. Hd. Cap Screw	(1)
★ 49	22-64-1246	Cord Set	(1)
50	44-76-0150	Cord Protector	(1)
51	06-95-5150	6-32 x 1/4" Hex Hd. Tapt. Sems	(1)
52	22-84-0660	Fan	(1)
★ 53	23-66-2516	Fwd./Rev. Switch	(1)
★ 54	43-72-0220	Interlock	(1)
★ 55	31-44-1493	Handle Set	(1)
	10-98-5986	Warning Label	(1)
★	10-98-5982	French/Spanish Warning Label	(1)

**FIG. LUBRICATION**  
39 5-1/2 Oz. Type "E" Grease, 49-08-4122.

**MILWAUKEE ELECTRIC TOOL CORPORATION**  
13135 W. LISBON RD., BROOKFIELD, WI 53005  
Drwg. 5