



SERVICE PARTS LIST

BULLETIN NO.
54-10-0106

SPECIFY CATALOG NO. AND SERIAL NO. WHEN ORDERING PARTS		REVISED BULLETIN	DATE
1/2" REVERSING COMPACT DRILL		54-10-0105	May 2006
CATALOG NO.	1610-1	WIRING INSTRUCTION	
STARTING SERIAL NO.	700B	58-01-0537	

EXAMPLE:

00	0
----	---

 Component Parts (Small #) Are Included When Ordering The Assembly (Large #).

RECALL NOTICE!
 See back page for important safety information.

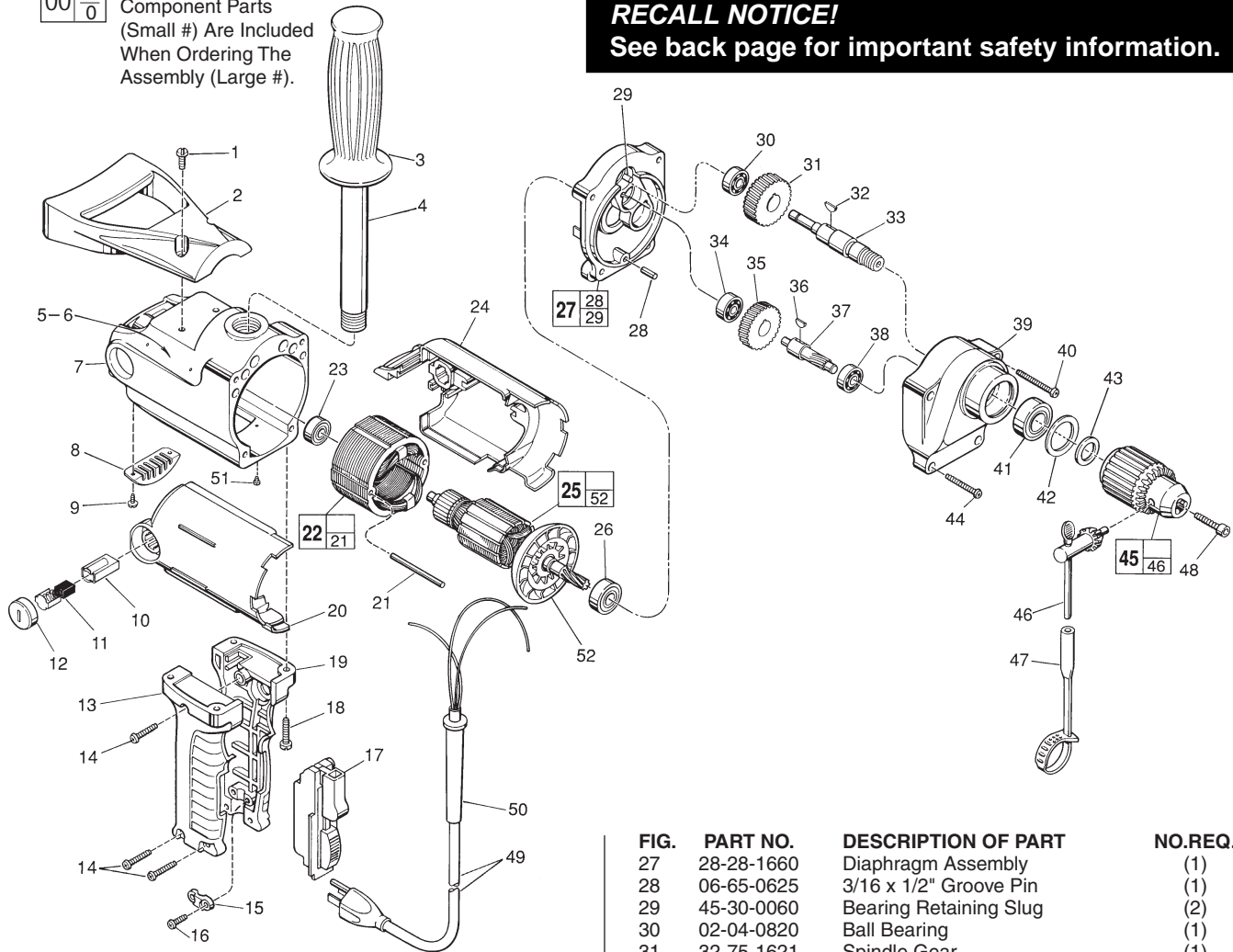


FIG.	PART NO.	DESCRIPTION OF PART	NO.REQ.
1	06-82-8908	12-24 x 3/4" Pan Hd. Slit. Tapt. T-27	(2)
2	31-44-1550	Spade Handle	(1)
3	43-62-0246	Handle Grip	(1)
4	43-62-0122	Pipe Handle	(1)
5	12-99-3150	Nameplate Blank	(1)
6	06-85-0200	6 x 1/4" Nameplate Screw	(2)
★ 7	26-50-6300	Motor Housing	(1)
8	44-66-5510	Cover Plate	(1)
9	06-82-5270	6-32 x 1/4" Pan Hd. Slit. Tapt. T-15	(2)
10	22-20-0660	Brush Tube	(2)
11	22-18-0680	Carbon Brush Assembly	(2)
★ 12	23-44-0210	Brush Retaining Screw	(2)
13	31-44-1441	Right Hand Handle Half	(1)
14	06-82-7326	8-16 x 1" Plastite T-20 Screw	(3)
15	31-17-0155	Cord Clamp	(1)
16	06-82-7270	8-16 x 5/8" Slit. Pan Hd. Plast. T-20	(2)
17	23-66-1020	On-Off Reversing Switch	(1)
★ 18	06-82-5382	1/4-20 x 3/4" Pan Hd. Slit. Taptite T-27	(4)
19	31-44-1446	Left Hand Handle Half	(1)
20	23-16-1275	Motor Insulator Right Half	(1)
21	06-65-1230	Grooved Pin	(2)
22	18-50-0050	120 V. Field	(1)
23	02-04-0847	Ball Bearing	(1)
24	23-16-1276	Motor Insulator - Left Half	(1)
25	16-50-1050	120 V. Armature	(1)
26	02-04-1050	Ball Bearing	(1)

FIG.	PART NO.	DESCRIPTION OF PART	NO.REQ.
27	28-28-1660	Diaphragm Assembly	(1)
28	06-65-0625	3/16 x 1/2" Groove Pin	(1)
29	45-30-0060	Bearing Retaining Slug	(2)
30	02-04-0820	Ball Bearing	(1)
31	32-75-1621	Spindle Gear	(1)
32	06-42-2000	Woodruff Key	(1)
33	38-50-5430	Spindle	(1)
34	02-04-0820	Ball Bearing	(1)
35	32-40-1880	Intermediate Gear	(1)
36	06-42-1200	Woodruff Key	(1)
37	36-66-2051	Intermediate Shaft	(1)
38	02-04-0820	Ball Bearing	(1)
39	28-14-1705	Gear Case Assembly	(1)
40	06-82-7784	10-24 x 1-7/16" Tapt. T-27	(2)
41	02-04-1567	Ball Bearing	(1)
42	34-80-2500	Retaining Ring	(1)
43	45-88-0330	Chuck Washer	(1)
44	06-82-7752	10-24 x 1-3/16" Taptite Sem.T-27	(2)
45	48-66-1381	1/2" Reversing Chuck	(1)
46	48-66-3280	Chuck Key	(1)
47	48-66-4040	Key Holder	(1)
48	06-75-3150	1/4-20 x 1" L.H. Skt. Hd. Cap Screw	(1)
49	22-64-0121	Cord Set	(1)
50	44-76-0150	Cord Protector	(1)
51	06-95-5150	6-32 x 1/4" Hex Hd. Tapt. Sems	(1)
52	22-84-0660	Fan	(1)
	10-98-5986	Warning Label	(1)
★	10-98-5984	French/Spanish Warning Label	(1)

FIG. LUBRICATION
 39 5-1/2 Oz. Type "E" Grease, 49-08-4122.

RECALL NOTICE!

Milwaukee is providing a **no-charge** warranty service to owners of **1610-1, 1630-1 1/2" Compact Hole-Shooter Drills and 1670-1, 1675-1 1/2" Hole-Hawg® Drills**. We are taking this action because under certain circumstances the switch of the drill may stick in the "on" position, which could lessen control of the product, posing a risk of injury to the operator.

1610-1, 1630-1 1/2" Compact Hole-Shooter Drills and 1670-1, 1675-1 1/2" Hole-Hawg® Drills within the serial number ranges shown below and sold between May 30,2000 and February 27, 2001 are affected.

Nameplate Catalog Number	Serial Number Range
1610-1	7 0 0 B 4 <u>00200013</u> thru 700B4 <u>00480097</u>
1630-1	7 1 8 B 4 <u>00230057</u> thru 718B4 <u>00480118</u>
1670-1	472B4 <u>00200061</u> thru 472B4 <u>00440188</u>
1675-1	413B4 <u>00190567</u> thru 413B4 <u>00522000</u>

Drills listed should **be inspected** for the presence of a **23-66-1020** Switch with a date code within 0021 through 0044. If the unit contains a subject dated coded 23-66-1020 switch, please return drill to the nearest Milwaukee **factory** Service Center or Authorized Service station for no-charge warranty replacement of the switch.

Affected switches carry a manufacture's four [4] digit **date code of 0021 thru 0044** imprinted on its body.



If nameplate has an 'X' stamped into the tool's nameplate, next to the catalog number, the tool has been repaired and the defective switch has already been replaced.

If you need assistance in locating the service facility nearest you or have questions please call 1.800.729.3878